

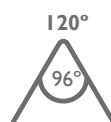


- 12 V AC
- IPX 8
- White or RGB

2 YEAR
WARRANTY



LAMP
12Vac
RATED VOLTAGE



NO REGULABLE

L70-B50
25.000h
LIFESPAN

DETAILED DESCRIPTION

Underwater projector, improves energy efficiency compared to the traditional halogen projectors. It must always be installed completely submerged in water. The projector has a warranty of 2 years and must be connected to a safety transformer, not included, ensuring that 12Vac arrives.

The White model does not include remote control.

The RGB model is controlled by a remote control, which is included and allows creating the following scenarios:

1. Fade 1 / 2. Fade 2 / 3. Smooth / 4. Flash / 5. Red / 6. Purple / 7. Green / 8. Cyan / 9. Blue / 10. White / 11. Orange / 12. Off.

The projector does not need a niche for its installation



ACCESSORIES INCLUDED IN THE PACK

- Remote control (only RGB lamp)
- Cable 2.5 m H07RN-F 2x1.5 mm².
- Installation and maintenance manual

DIMENSIONS (mm) AND WEIGHT

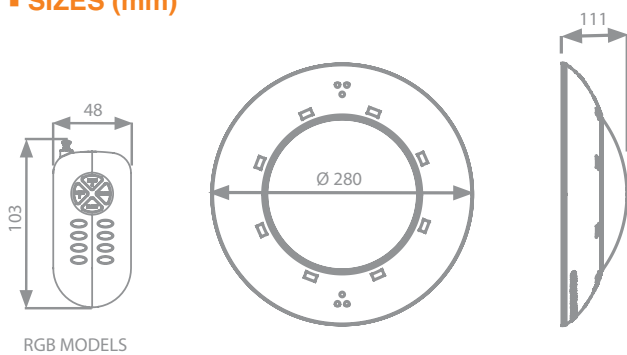
	74941	71744
Dimensions (mm)	300*80*300	300*80*300
Weight (kg)	1,4	1,4

	FLAT PROJECTOR W	FLAT PROJECTOR RGB
PRODUCT REFERENCE	74941	71744

TECHNICAL SPECIFICATIONS		
Light color	White	RGB
Color temperature	5.700 °K	-
Energy efficiency		
Consumption	11,5 W (18VA)	15 W (23VA)
Rated voltage	12 V AC	12 V AC
Luminous flux	1.300 lm	900 lm
Protection	Clase III IPX 8	Clase III IPX 8
Pool installation	400 - 700 mm	400 - 700 mm

PALLETIZED AND PACKAGING		
Box size (mm)	300*80*300	300*80*300
Units / Box	1	1
Volume / Box (m³)	0,009	0,009
Weight / Box (kg)	1,4	1,4
Pallet sizes (mm)	1000*1200*1500	1000*1200*1500
Units / Pallet	180	180
Volume / Pallet (m³)	2,88	2,88
Weight / Pallet (kg)	267	267

■ SIZES (mm)



■ BOX (mm)

