

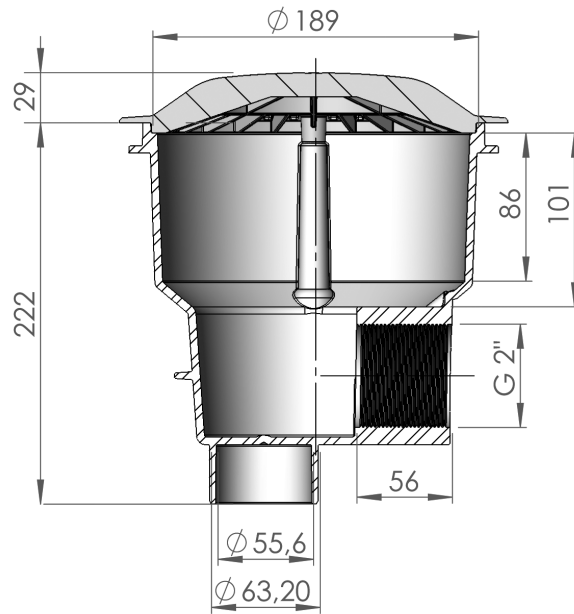
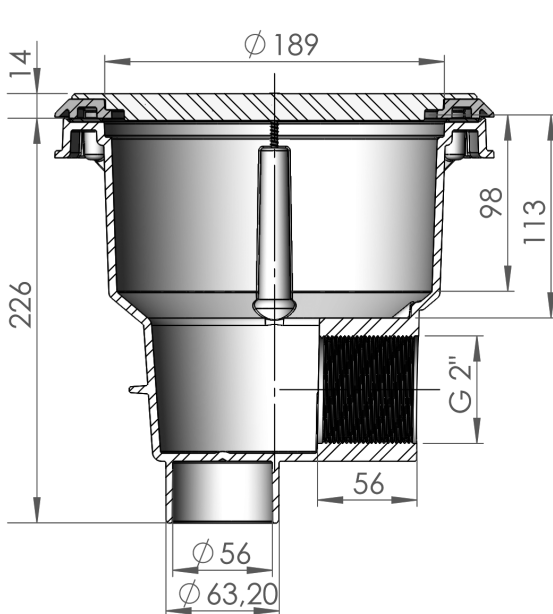
► SUMIDERO NORM Ø189 / NORM MAIN DRAIN Ø189



Complies with Standards  
EN 16582-1  
EN 16713-2



Complies with Standards  
EN 13451-3



DESCRIPCIÓN DEL PRODUCTO / PRODUCT DESCRIPTION

Gama de sumideros conformes con las normas EN16582-1 y EN16713-2, aptos para instalarse en piscinas públicas y residenciales, se suministran con rejillas planas o antivortex. Fabricados en ABS blanco y con tratamiento UV, conexiones de salida lateral de 2" y salida inferior de 1 1/2", la salida inferior tapada con un semitroquelado.

Range of drains compliant with standards EN16582-1 and EN16713-2, suitable for public and residential swimming pools. Available with either flat or antivortex grilles. Made of white ABS with UV treatment, equipped with a 2" side outlet and a 1 1/2" bottom outlet connection, and bottom outlet covered by semi-die cut tab.

## ► CARACTERÍSTICAS TÉCNICAS / TECHNICAL CHARACTERISTICS

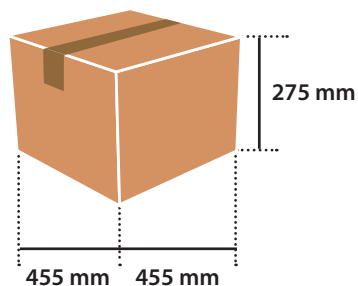
| CARACTERÍSTICAS<br>CHARACTERISTICS  | 56378  | 56379   | 56380   | 56381  | 56382   | 56383   |
|-------------------------------------|--|---|---|--|---|---|
| Tipo de rejilla<br>Grille type      |   |  |  |  |  |  |
| Conexión lateral<br>Side connection | 2"   | 2"  | 2"  | 2"   | 2"  | 2"  |
| Insertos<br>Inserts                 | -  | -   | ✓   | -  | ✓   | -   |
| Caudal máximo<br>Maximum flow rate  | 15 m <sup>3</sup> /h   | 15 m <sup>3</sup> /h  | 15 m <sup>3</sup> /h  | 15 m <sup>3</sup> /h   | 15 m <sup>3</sup> /h  | 15 m <sup>3</sup> /h  |
| Piscina<br>Swimming pool            | Hormigón<br>Concrete   |   |   | Prefabricada<br>Prefabricated  |   |   |
| Colores<br>Colours                  |  |   |   |  |   |   |

## ► LOGÍSTICA / LOGISTICS

### EMBALAJE Y PALETIZADO / PALLETIZED AND PACKAGING

|   |                    |
|---|--------------------|
| Medidas caja standard (mm) - Standard box sizes (mm)                                | 455 x 455 x 275    |
| Unidades / Caja standard - Units / Standard box                                     | 4                  |
| Volumen / Caja standard (m <sup>3</sup> ) - Volume / Standard box (m <sup>3</sup> ) | 0,059              |
| Peso / Caja standard (Kg) - Weight / Standard box (Kg)                              | 3,25               |
| Medidas palet (mm) - Pallet sizes (mm)  | 1000 x 1200 x 2400 |
| Unidades / Palet - Units / Pallet   | 128                |
| Volumen / Palet (m <sup>3</sup> ) - Volume / Pallet (m <sup>3</sup> )               | 2,88               |
| Peso / Palet (Kg) - Weight / Pallet (Kg)  | 119,56             |

#### ► CAJA STANDARD / STANDARD BOX



#### ► PALET / PALLET

