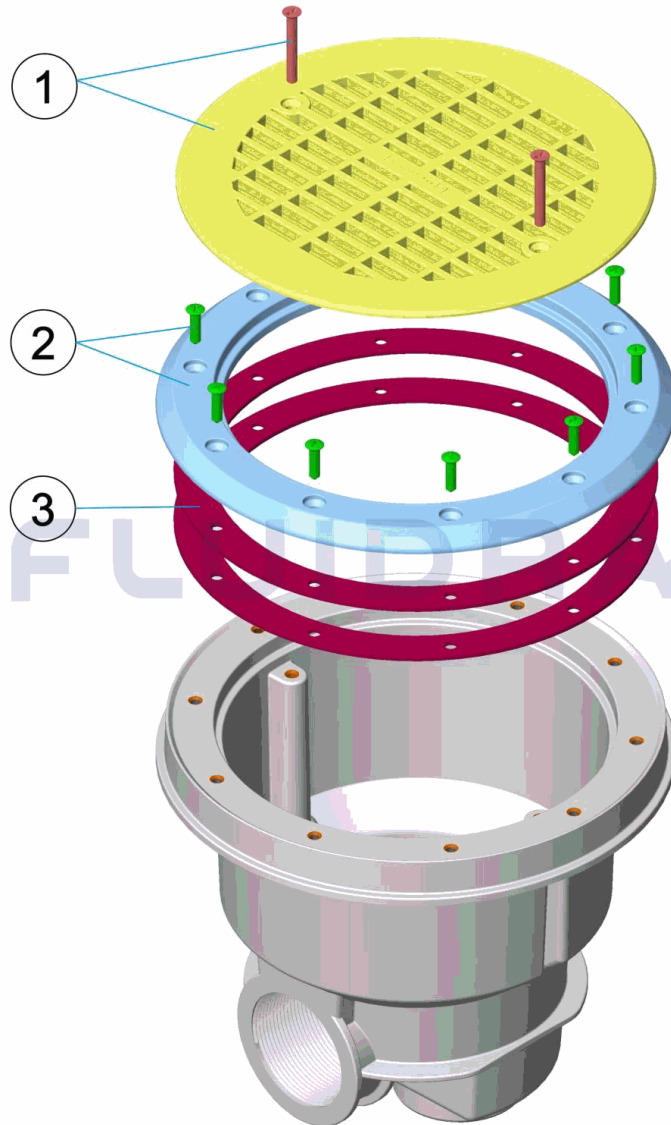


CODIGO **56380, 56380CL090, 56380CL129, 56380CL144, 56381, 56381CL090, 56381CL129, 56381CL144**

DESCRIPCION: **SUMIDERO NORMA PP REJILLA PLANA INSERTOS Y AUTORROSCA**



**ESPAÑOL**

POS	CODIGO	DESCRIPCION	CANTIDAD	POS	CODIGO	DESCRIPCION	CANTIDAD
1	* 4402020007	REJILLA PLANA SUMIDERO PARA INSERTOS		2	* 4402020010	BRIDA NORMA SUMIDERO AUTORROSCA	
1	* 4402020008	REJILLA PLANA SUMIDERO AUTORROSCA		2	* 4402020038	BRIDA NORMA SUMIDERO PARA INSERTO	
1	* 4402020033	REJILLA PLANA SUMIDERO PARA INSERTOS		2	* 4402020041	BRIDA NORMA SUMIDERO AUTORROSCA	
1	* 4402020035	REJILLA PLANA SUMIDERO AUTORROSCA		2	* 4402020039	BRIDA NORMA SUMIDERO PARA INSERTO	
1	* 4402020034	REJILLA PLANA SUMIDERO PARA INSERTOS		2	* 4402020042	BRIDA NORMA SUMIDERO AUTORROSCA	
1	* 4402020036	REJILLA PLANA SUMIDERO AUTORROSCA		2	* 4402020040	BRIDA NORMA SUMIDERO PARA INSERTO	
1	* 4402020031	REJILLA PLANA SUMIDERO PARA INSERTOS		2	* 4402020043	BRIDA NORMA SUMIDERO AUTORROSCA	
1	* 4402020037	REJILLA PLANA SUMIDERO AUTORROSCA		3	4402020011	JUNTA ADHESIVA	
2	* 4402020009	BRIDA NORMA SUMIDERO PARA INSERTOS					

**CODIGO 56380, 56380CL090, 56380CL129, 56380CL144, 56381, 56381CL090, 56381CL129, 56381CL144**

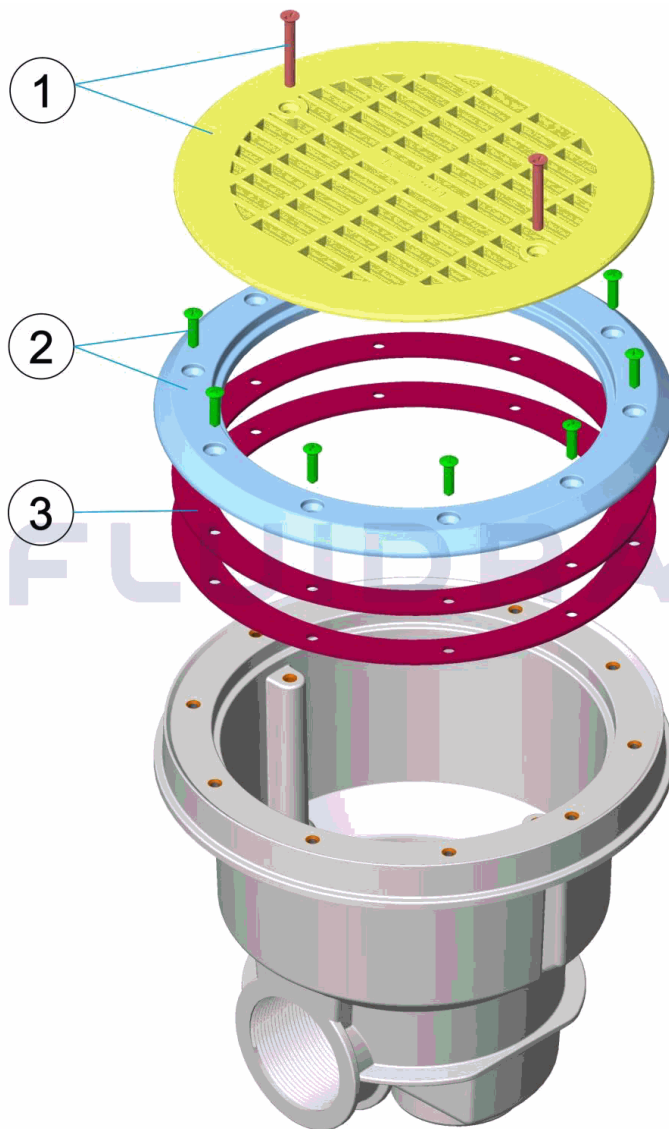
**DESCRIPCION: SUMIDERO NORMA PP REJILLA PLANA INSERTOS Y AUTORROSCA**

## OBSERVACIONES

POS	CODIGO	OBSERVACIONES
1	4402020007	PARA: 56380 BLANCO / WHITE
1	4402020008	PARA: 56381 BLANCO / WHITE
1	4402020033	PARA: 56380CL090 BEIGE
1	4402020035	PARA: 56381CL090 BEIGE
1	4402020034	PARA: 56380CL129 GRIS / GREY
1	4402020036	PARA: 56381CL129 GRIS / GREY
1	4402020031	PARA: 56380CL144 ANTRACITA / ANTHRACITE
1	4402020037	PARA: 56381CL144 ANTRACITA / ANTHRACITE
2	4402020009	PARA: 56380 BLANCO / WHITE
2	4402020010	PARA: 56381 BLANCO / WHITE
2	4402020038	PARA: 56380CL090 BEIGE
2	4402020041	PARA: 56381CL090 BEIGE
2	4402020039	PARA: 56380CL129 GRIS / GREY
2	4402020042	PARA: 56381CL129 GRIS / GREY
2	4402020040	PARA: 56380CL144 ANTRACITA / ANTHRACITE
2	4402020043	PARA: 56381CL144 ANTRACITA / ANTHRACITE

CODE **56380, 56380CL090, 56380CL129, 56380CL144, 56381, 56381CL090, 56381CL129, 56381CL144**

DESCRIPTION: **BONDE NORMA PISC. PRÉF. GRILLE PLATE POUR INSERTS ET VIS AUTOFORE**



**FRANCAIS**

POS	CODE	DESCRIPTION	QUANTITE	POS	CODE	DESCRIPTION	QUANTITE
1	* 4402020007	GRILLE PLATE BONDE POUR INSERTS		2	* 4402020010	BRIDE NORMA BONDE VIS AUTOFOREUSI	
1	* 4402020008	GRILLE PLATE BONDE VIS AUTOFOREUSE		2	* 4402020038	BRIDE NORMA BONDE POUR INSERTS	
1	* 4402020033	GRILLE PLATE BONDE POUR INSERTS		2	* 4402020041	BRIDE NORMA BONDE VIS AUTOFOREUSI	
1	* 4402020035	GRILLE PLATE BONDE VIS AUTOFOREUSE		2	* 4402020039	BRIDE NORMA BONDE POUR INSERTS	
1	* 4402020034	GRILLE PLATE BONDE POUR INSERTS		2	* 4402020042	BRIDE NORMA BONDE VIS AUTOFOREUSI	
1	* 4402020036	GRILLE PLATE BONDE VIS AUTOFOREUSE		2	* 4402020040	BRIDE NORMA BONDE POUR INSERTS	
1	* 4402020031	GRILLE PLATE BONDE POUR INSERTS		2	* 4402020043	BRIDE NORMA BONDE VIS AUTOFOREUSI	
1	* 4402020037	GRILLE PLATE BONDE VIS AUTOFOREUSE		3	4402020011	JOINT ADHESIF	
2	* 4402020009	BRIDE NORMA BONDE POUR INSERTS					

CODE **56380, 56380CL090, 56380CL129, 56380CL144, 56381, 56381CL090, 56381CL129, 56381CL144**

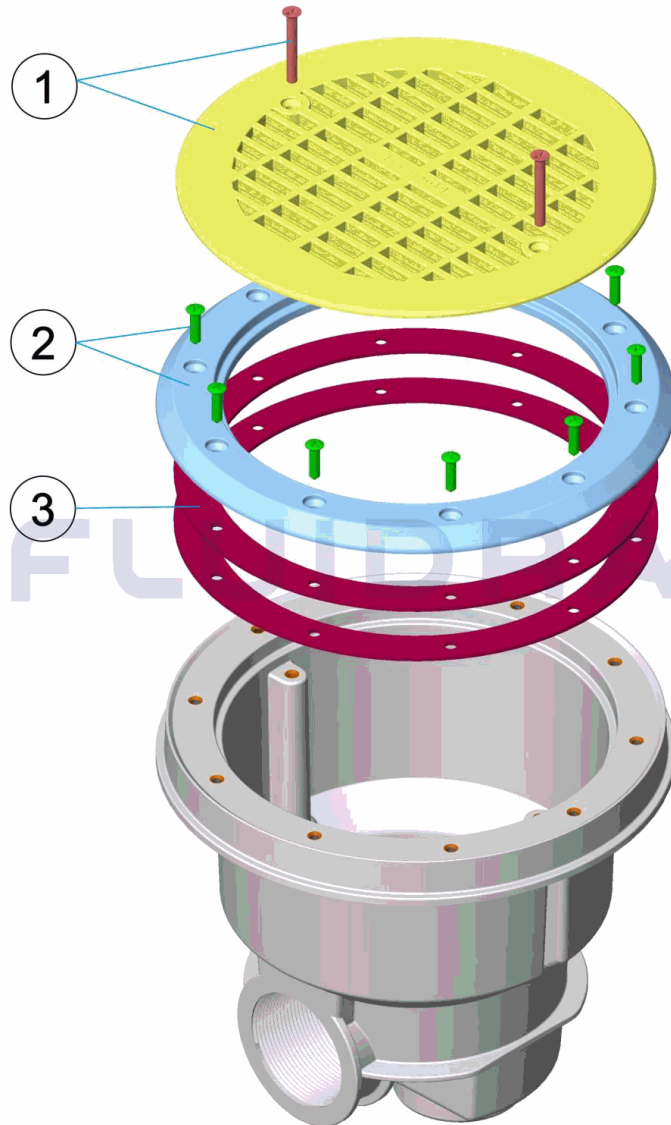
DESCRIPTION: **BONDE NORMA PISC. PRÉF. GRILLE PLATE POUR INSERTS ET VIS AUTOFORE**

## OBSERVATIONS

POS	CODE	OBSERVATIONS
1	4402020007	POUR: 56380 BLANCO / WHITE
1	4402020008	POUR: 56381 BLANCO / WHITE
1	4402020033	POUR: 56380CL090 BEIGE
1	4402020035	POUR: 56381CL090 BEIGE
1	4402020034	POUR: 56380CL129 GRIS / GREY
1	4402020036	POUR: 56381CL129 GRIS / GREY
1	4402020031	POUR: 56380CL144 ANTRACITA / ANTHRACITE
1	4402020037	POUR: 56381CL144 ANTRACITA / ANTHRACITE
2	4402020009	POUR: 56380 BLANCO / WHITE
2	4402020010	POUR: 56381 BLANCO / WHITE
2	4402020038	POUR: 56380CL090 BEIGE
2	4402020041	POUR: 56381CL090 BEIGE
2	4402020039	POUR: 56380CL129 GRIS / GREY
2	4402020042	POUR: 56381CL129 GRIS / GREY
2	4402020040	POUR: 56380CL144 ANTRACITA / ANTHRACITE
2	4402020043	POUR: 56381CL144 ANTRACITA / ANTHRACITE

CODE                **56380,    56380CL090,    56380CL129,    56380CL144,    56381,    56381CL090,    56381CL129, 56381CL144**

DESCRIPTION: **NORMA DRAIN PREFABRICATED POOL FLAT GRILLE FOR INSERTS AND SELF-**



**ENGLISH**

POS	CODE	DESCRIPTION	QUANTITY	POS	CODE	DESCRIPTION	QUANTITY
1	* 4402020007	FLAT DRAIN GRILLE FOR INSERTS		2	* 4402020010	NORMA DRAIN FLANGE SELF-THREADING	
1	* 4402020008	FLAT DRAIN GRILLE SELF-THREADING		2	* 4402020038	NORMA DRAIN FLANGE FOR INSERTS	
1	* 4402020033	FLAT DRAIN GRILLE FOR INSERTS		2	* 4402020041	NORMA DRAIN FLANGE SELF-THREADING	
1	* 4402020035	FLAT DRAIN GRILLE SELF-THREADING		2	* 4402020039	NORMA DRAIN FLANGE FOR INSERTS	
1	* 4402020034	FLAT DRAIN GRILLE FOR INSERTS		2	* 4402020042	NORMA DRAIN FLANGE SELF-THREADING	
1	* 4402020036	FLAT DRAIN GRILLE SELF-THREADING		2	* 4402020040	NORMA DRAIN FLANGE FOR INSERTS	
1	* 4402020031	FLAT DRAIN GRILLE FOR INSERTS		2	* 4402020043	NORMA DRAIN FLANGE SELF-THREADING	
1	* 4402020037	FLAT DRAIN GRILLE SELF-THREADING		3	4402020011	ADHESIVE GASKET	
2	* 4402020009	NORMA DRAIN FLANGE FOR INSERTS					

CODE            **56380,    56380CL090,    56380CL129,    56380CL144,    56381,    56381CL090,**  
                   **56381CL129, 56381CL144**

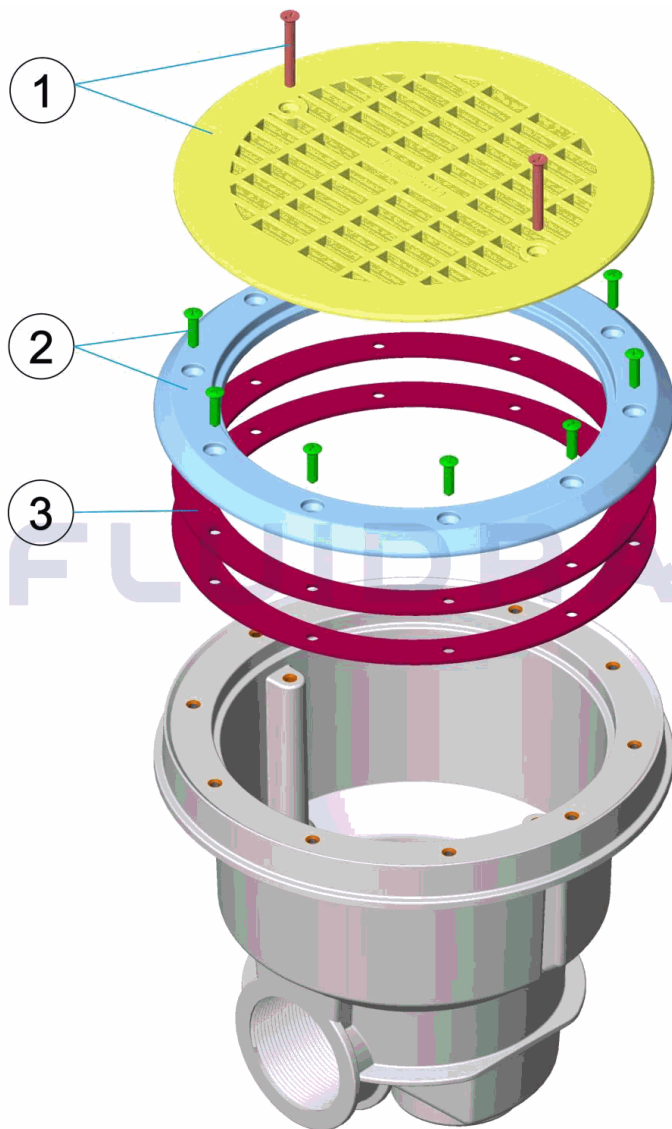
DESCRIPTION: **NORMA DRAIN PREFABRICATED POOL FLAT GRILLE FOR INSERTS AND SELF-**

## OBSERVATIONS

POS	CODE	OBSERVATIONS
1	4402020007	FOR: 56380 BLANCO / WHITE
1	4402020008	FOR: 56381 BLANCO / WHITE
1	4402020033	FOR: 56380CL090 BEIGE
1	4402020035	FOR: 56381CL090 BEIGE
1	4402020034	FOR: 56380CL129 GRIS / GREY
1	4402020036	FOR: 56381CL129 GRIS / GREY
1	4402020031	FOR: 56380CL144 ANTRACITA / ANTHRACITE
1	4402020037	FOR: 56381CL144 ANTRACITA / ANTHRACITE
2	4402020009	FOR: 56380 BLANCO / WHITE
2	4402020010	FOR: 56381 BLANCO / WHITE
2	4402020038	FOR: 56380CL090 BEIGE
2	4402020041	FOR: 56381CL090 BEIGE
2	4402020039	FOR: 56380CL129 GRIS / GREY
2	4402020042	FOR: 56381CL129 GRIS / GREY
2	4402020040	FOR: 56380CL144 ANTRACITA / ANTHRACITE
2	4402020043	FOR: 56381CL144 ANTRACITA / ANTHRACITE

CODICE **56380, 56380CL090, 56380CL129, 56380CL144, 56381, 56381CL090, 56381CL129, 56381CL144**

DESCRIZIONE: **SCOLO NORMA PISC. PREF. GRIGLIA PIANA PER INSETTI E AUTOFILETTANTE**



**ITALIANO**

POS	CODICE	DESCRIZIONE	QUANTITA'	POS	CODICE	DESCRIZIONE	QUANTITA'
1	* 4402020007	GRIGLIA PIANA SCOLO PER INSETTI		2	* 4402020010	FLANGIA NORMA SCOLO AUTOFILETTANTI	
1	* 4402020008	GRIGLIA PIANA SCOLO AUTOFILETTANTE		2	* 4402020038	FLANGIA NORMA SCOLO PER INSETTI	
1	* 4402020033	GRIGLIA PIANA SCOLO PER INSETTI		2	* 4402020041	FLANGIA NORMA SCOLO AUTOFILETTANTI	
1	* 4402020035	GRIGLIA PIANA SCOLO AUTOFILETTANTE		2	* 4402020039	FLANGIA NORMA SCOLO PER INSETTI	
1	* 4402020034	GRIGLIA PIANA SCOLO PER INSETTI		2	* 4402020042	FLANGIA NORMA SCOLO AUTOFILETTANTI	
1	* 4402020036	GRIGLIA PIANA SCOLO AUTOFILETTANTE		2	* 4402020040	FLANGIA NORMA SCOLO PER INSETTI	
1	* 4402020031	GRIGLIA PIANA SCOLO PER INSETTI		2	* 4402020043	FLANGIA NORMA SCOLO AUTOFILETTANTI	
1	* 4402020037	GRIGLIA PIANA SCOLO AUTOFILETTANTE		3	4402020011	GUARNIZIONE ADESIVA	
2	* 4402020009	FLANGIA NORMA SCOLO PER INSETTI					

**CODICE**            **56380, 56380CL090, 56380CL129, 56380CL144, 56381, 56381CL090, 56381CL129, 56381CL144**

**DESCRIZIONE: SCOLO NORMA PISC. PREF. GRIGLIA PIANA PER INSETTI E AUTOFILETTANTE**

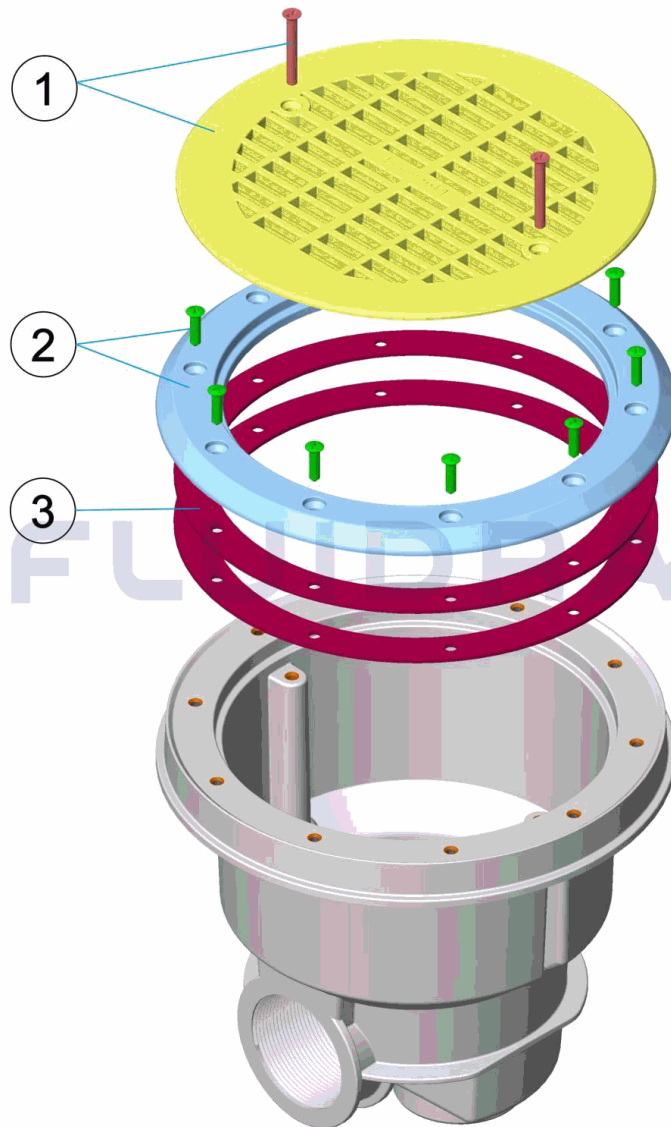
## OSSERVAZIONI

POS	CODICE	OSSERVAZIONI
1	4402020007	PER: 56380 BLANCO / WHITE
1	4402020008	PER: 56381 BLANCO / WHITE
1	4402020033	PER: 56380CL090 BEIGE
1	4402020035	PER: 56381CL090 BEIGE
1	4402020034	PER: 56380CL129 GRIS / GREY
1	4402020036	PER: 56381CL129 GRIS / GREY
1	4402020031	PER: 56380CL144 ANTRACITA / ANTHRACITE
1	4402020037	PER: 56381CL144 ANTRACITA / ANTHRACITE
2	4402020009	PER: 56380 BLANCO / WHITE
2	4402020010	PER: 56381 BLANCO / WHITE
2	4402020038	PER: 56380CL090 BEIGE
2	4402020041	PER: 56381CL090 BEIGE
2	4402020039	PER: 56380CL129 GRIS / GREY
2	4402020042	PER: 56381CL129 GRIS / GREY
2	4402020040	PER: 56380CL144 ANTRACITA / ANTHRACITE
2	4402020043	PER: 56381CL144 ANTRACITA / ANTHRACITE



CODE **56380, 56380CL090, 56380CL129, 56380CL144, 56381, 56381CL090, 56381CL129, 56381CL144**

BESCHREIBUNG: **ABFLUSS NORMA PP GITTER FLACH EINSÄTZE UND SELBSTBOHREND**



**DEUTSCH**

POS	CODE	BESCHREIBUNG	MENGE	POS	CODE	BESCHREIBUNG	MENGE
1	* 4402020007	ABFLUSSGITTER FLACH FÜR EINSÄTZE		2	* 4402020010	FLANSCH NORMA ABFLUSS SELBSTBORF	
1	* 4402020008	ABFLUSSGITTER FLACH SELBSTBORHEND		2	* 4402020038	FLANSCH NORMA ABFLUSS FÜR EINSÄTZ	
1	* 4402020033	ABFLUSSGITTER FLACH FÜR EINSÄTZE		2	* 4402020041	FLANSCH NORMA ABFLUSS SELBSTBORF	
1	* 4402020035	ABFLUSSGITTER FLACH SELBSTBORHEND		2	* 4402020039	FLANSCH NORMA ABFLUSS FÜR EINSÄTZ	
1	* 4402020034	ABFLUSSGITTER FLACH FÜR EINSÄTZE		2	* 4402020042	FLANSCH NORMA ABFLUSS SELBSTBORF	
1	* 4402020036	ABFLUSSGITTER FLACH SELBSTBORHEND		2	* 4402020040	FLANSCH NORMA ABFLUSS FÜR EINSÄTZ	
1	* 4402020031	ABFLUSSGITTER FLACH FÜR EINSÄTZE		2	* 4402020043	FLANSCH NORMA ABFLUSS SELBSTBORF	
1	* 4402020037	ABFLUSSGITTER FLACH SELBSTBORHEND		3	4402020011	DICHTUNG SELBSTKLEBEND	
2	* 4402020009	FLANSCH NORMA ABFLUSS FÜR EINSÄTZE					

CODE **56380, 56380CL090, 56380CL129, 56380CL144, 56381, 56381CL090, 56381CL129, 56381CL144**

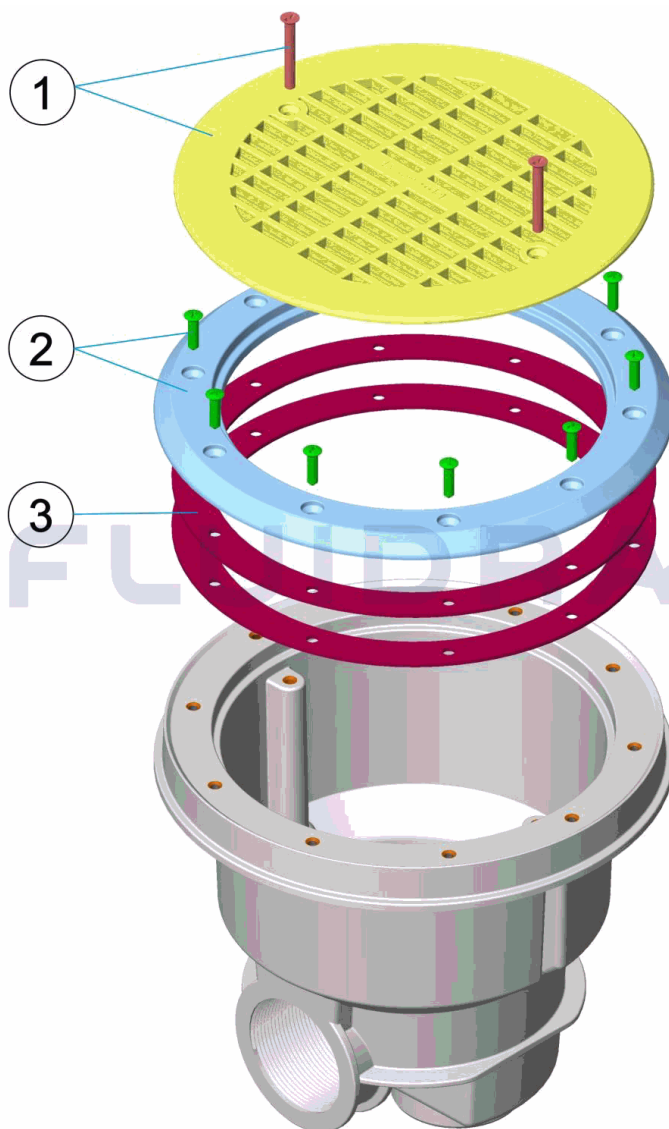
BESCHREIBUNG: **ABFLUSS NORMA PP GITTER FLACH EINSÄTZE UND SELBSTBOHREND**

## HINWEISE

POS	CODE	HINWEISE
1	4402020007	FÜR: 56380 BLANCO / WHITE
1	4402020008	FÜR: 56381 BLANCO / WHITE
1	4402020033	FÜR: 56380CL090 BEIGE
1	4402020035	FÜR: 56381CL090 BEIGE
1	4402020034	FÜR: 56380CL129 GRIS / GREY
1	4402020036	FÜR: 56381CL129 GRIS / GREY
1	4402020031	FÜR: 56380CL144 ANTRACITA / ANTHRACITE
1	4402020037	FÜR: 56381CL144 ANTRACITA / ANTHRACITE
2	4402020009	FÜR: 56380 BLANCO / WHITE
2	4402020010	FÜR: 56381 BLANCO / WHITE
2	4402020038	FÜR: 56380CL090 BEIGE
2	4402020041	FÜR: 56381CL090 BEIGE
2	4402020039	FÜR: 56380CL129 GRIS / GREY
2	4402020042	FÜR: 56381CL129 GRIS / GREY
2	4402020040	FÜR: 56380CL144 ANTRACITA / ANTHRACITE
2	4402020043	FÜR: 56381CL144 ANTRACITA / ANTHRACITE

CODIGO            **56380,    56380CL090,    56380CL129,    56380CL144,    56381,    56381CL090,    56381CL129,    56381CL144**

DESCRIÇÃO: **RALO NORMA PIS. PREF. GRADE PLANA PARA INSERÇÕES E AUTO ROSCA**



**PORTUGUES**

POS	CODIGO	DESCRIÇÃO	QUANTIDADE	POS	CODIGO	DESCRIÇÃO	QUANTIDADE
1	* 4402020007	GRADE PLANA RALO PARA INSERÇÕES		2	* 4402020010	FLANGE NORMA RALO AUTO ROSCA	
1	* 4402020008	GRADE PLANA RALO AUTO ROSCA		2	* 4402020038	FLANGE NORMA RALO PARA INSERÇÕES	
1	* 4402020033	GRADE PLANA RALO PARA INSERÇÕES		2	* 4402020041	FLANGE NORMA RALO AUTO ROSCA	
1	* 4402020035	GRADE PLANA RALO AUTO ROSCA		2	* 4402020039	FLANGE NORMA RALO PARA INSERÇÕES	
1	* 4402020034	GRADE PLANA RALO PARA INSERÇÕES		2	* 4402020042	FLANGE NORMA RALO AUTO ROSCA	
1	* 4402020036	GRADE PLANA RALO AUTO ROSCA		2	* 4402020040	FLANGE NORMA RALO PARA INSERÇÕES	
1	* 4402020031	GRADE PLANA RALO PARA INSERÇÕES		2	* 4402020043	FLANGE NORMA RALO AUTO ROSCA	
1	* 4402020037	GRADE PLANA RALO AUTO ROSCA		3	4402020011	JUNTA ADESIVA	
2	* 4402020009	FLANGE NORMA RALO PARA INSERÇÕES					

**CODIGO**            **56380,    56380CL090,    56380CL129,    56380CL144,    56381,    56381CL090,**  
**56381CL129, 56381CL144**

**DESCRIÇÃO: RALO NORMA PIS. PREF. GRADE PLANA PARA INSERÇÕES E AUTO ROSCA**

## OBSERVAÇÕES

POS	CODIGO	OBSERVAÇÕES
1	4402020007	PARA: 56380 BLANCO / WHITE
1	4402020008	PARA: 56381 BLANCO / WHITE
1	4402020033	PARA: 56380CL090 BEIGE
1	4402020035	PARA: 56381CL090 BEIGE
1	4402020034	PARA: 56380CL129 GRIS / GREY
1	4402020036	PARA: 56381CL129 GRIS / GREY
1	4402020031	PARA: 56380CL144 ANTRACITA / ANTHRACITE
1	4402020037	PARA: 56381CL144 ANTRACITA / ANTHRACITE
2	4402020009	PARA: 56380 BLANCO / WHITE
2	4402020010	PARA: 56381 BLANCO / WHITE
2	4402020038	PARA: 56380CL090 BEIGE
2	4402020041	PARA: 56381CL090 BEIGE
2	4402020039	PARA: 56380CL129 GRIS / GREY
2	4402020042	PARA: 56381CL129 GRIS / GREY
2	4402020040	PARA: 56380CL144 ANTRACITA / ANTHRACITE
2	4402020043	PARA: 56381CL144 ANTRACITA / ANTHRACITE