

EN HEAT PUMPS for above and inground pools

IT POMPA DI CALORE per piscine fuori terra e interrata

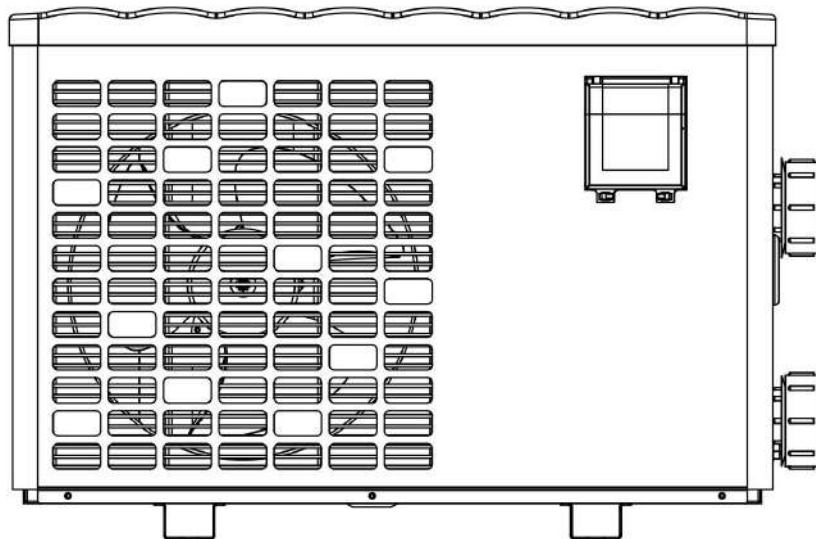
ES BOMBAS DE CALOR para piscinas sobre suelo y enterradas

NL WARMTEPOMP voor verwijderbare en ingebouwde zwembaden

FR POMPES À CHALEUR pour piscines hors sol et enterrées

PT BOMBAS DE CALOR para piscinas elevadas e enterradas

DE WÄRMEPUMPE für Aufstell-und Einbaubecken




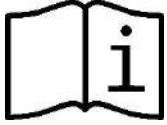


Owner's Manual - Manual de Instrucciones
Manuel d'instructions - Bedienungsanleitung
Manuale delle istruzioni -
Handleiding met instructies
Manual de instruções

INDEX FOR DIFFERENT LANGUAGES

English manual.....	1~36
Manual en Español	37~73
Notice en Français.....	74~111
Deutsches Handbuch.....	112~150
Manuale Italiano.....	151~188
Netherland manual.....	189~226
Manual Português.....	227~265
Warranty.....	266~270

 **WARNINGS**

	<p>This symbol shows that information is available such as the Operating Manual or Installation Manual.</p>		<p>This symbol shows that this appliance uses R32, a low burning velocity refrigerant.</p>
	<p>This symbol shows that the Operation Manual should be read carefully.</p>		<p>This symbol shows that service personnel should be handling this equipment with reference to the Installation Manual.</p>

GENERAL WARNINGS

- Failure to respect the warnings may cause serious damage to the pool equipment or cause serious injury, even death.
- Only a person qualified in the technical fields concerned (electricity, hydraulics or refrigeration) is authorised to carry out maintenance or repair work on the appliance. The qualified technician working on the appliance must use/wear personal protective equipment (such as safety goggles and protective gloves, etc.) in order to reduce the risk of injury occurring when working on the appliance.
- Before handling the appliance, check that it is switched off and isolated.
- This appliance is not intended for use by individuals (including children, over the age of 8) lacking in experience or with impaired physical, sensory or mental capabilities, unless: they receive supervision and are instructed on how to use the appliance by a person responsible for their safety; and if they understand the hazards involved.
- Children must be supervised to ensure that they do not play with the appliance.
- The appliance must be installed according to the manufacturer’s instructions and in compliance with local and national standards. The installer is responsible for installing the appliance and for compliance with national installation regulations. Under no circumstances may the manufacturer be held liable in the event of failure to comply with applicable local installation standards.
- For any work other than the simple user maintenance described in this manual, the product should be referred to a qualified professional.
- Incorrect installation and/or use may cause serious damage to property or serious injuries (possibly causing death).
- If the appliance suffers a malfunction, do not try to repair it yourself; instead contact a qualified technician.
- Deactivating, eliminating or by-passing any of the safety mechanisms integrated into the appliance shall automatically void the warranty, in addition to the use of spare parts manufactured by unauthorised third-party manufacturers.
- Do not spray insecticide or any other chemical (flammable or non-flammable) in the direction of the appliance, as this may damage the body and cause a fire.
- Do not touch the fan or moving parts and do not place objects or your fingers in the vicinity of the moving parts when the appliance is in operation. Moving parts can cause serious injury or even death.

WARNINGS ASSOCIATED WITH ELECTRICAL APPLIANCES

- The power supply to the appliance must be protected by a dedicated 30 mA Residual Current Device (RCD), complying with the standards and regulations in force in the country in which it is installed.
- Do not use any extension lead when connecting the appliance; connect the appliance directly to a suitable power supply.
- Before carrying out any operations, check that:
 - The voltage indicated on the appliance information plate corresponds to the mains voltage.
 - The power grid must be adapted to the power requirements of the appliance, and is grounded.

- Do not disconnect and reconnect the appliance to the power supply when in operation.
- Do not pull on the power cord to disconnect it from the power supply.
- If the power cord is damaged, it must be replaced by the manufacturer, its technician or a qualified person to guarantee safety.
- Do not perform maintenance or servicing operations on the appliance with wet hands or if the appliance is wet.
- Before connecting the appliance to the power supply, check that the connection unit or socket to which the appliance will be connected is in good condition and shows no signs of damage or rust.
- In stormy weather, disconnect the appliance from the power supply to prevent it from suffering lightning damage.
- Do not immerse the appliance in water or mud.

WARNINGS CONCERNING APPLIANCES CONTAINING REFRIGERANT R32

- R32 refrigerant is classed under category A2L as mildly flammable.
- Do not release R32 fluid into the atmosphere. These are fluorinated greenhouse gases, covered by the Kyoto Protocol, with a Global Warming Potential (GWP) of 675 (European regulation EU 517/2014).
- The appliance must be stored in a well-ventilated location away from all ignition sources.
- Install the unit outdoors. Do not install the unit indoors or in an enclosed and non-ventilated outdoor location.
- Do not use means for accelerating the defrosting or cleaning process other than those recommended by the manufacturer.
- The appliance must be stored in a room without any permanent ignition source (such as open flames, operating gas appliance or operating electric heating).
- Do not perforate or incinerate.
- Please note that R32 refrigerant may give off a certain odour.
- In order to comply with the applicable standards and regulations in terms of the environment and installation, in particular French decree No. 2015-1790 and/or European regulation EU 517/2014, a leak test must be performed on the cooling circuit at least once a year. This operation must be carried out by a specialist certified to test cooling appliances.
- Please keep the display controller in a dry area, or well close the insulation cover to protect the display controller from being damaged by humidity.

INSTALLATION AND MAINTENANCE

- The appliance may not be installed close to combustible materials, or the air duct inlet of an adjacent building.
- With some appliances, it is essential to fit a "protection grid"-type accessory if the unit is installed in an area with uncontrolled access.
- During installation, troubleshooting and maintenance, pipes may not be used as steps: the pipe could break under the weight, spilling refrigerant and possibly causing serious burns.
- When servicing the appliance, the composition and state of the heat transfer fluid must be checked, as well as the absence of any traces of refrigerant.
- During the annual appliance sealing test in accordance with applicable legislation, the high and low pressure switches must be checked to ensure that they are securely fastened to the refrigerant circuit and that they cut off the electrical circuit when tripped.
- During maintenance work, ensure there are no traces of corrosion or oil around the cooling components.
- Before beginning work on the cooling circuit, stop the appliance and wait for a few minutes before fitting the temperature and pressure sensors. Some elements such as the compressor and piping may reach temperatures in excess of 100°C and high pressures with the consequent risk of severe burns.
- Do not braze or weld the pipe if there is refrigerant inside machine. Please do not charge the gas when in a confined space.

MAINTENANCE : WARNINGS CONCERNING APPLIANCES CONTAINING R32 REFRIGERANT

Area check

- Before starting work on systems containing flammable refrigerants, safety checks must be carried out to guarantee a minimal ignition risk.

Work procedure

- The work must be carried out according to a controlled procedure in order to reduce the risks of releasing a flammable gas or vapour while working.

General work area

- All maintenance staff and other personnel working in the surrounding area must be made aware of the work carried out. Work conducted in enclosed areas must be avoided.

Check for the presence of refrigerant

- The area must be analysed using a suitable refrigerant detector before and during work so that the technician is informed of the presence of a potentially toxic or flammable atmosphere. Check that the leak detection equipment used is suitable for use with all refrigerants concerned, i.e. that it does not cause a spark, is correctly isolated or is entirely safe.

Check for the presence of a fire extinguisher

- If work must be carried out on the cooling equipment or any part associated therewith at a certain temperature, suitable fire extinguishing means must be within reach. Place a dry chemical fire extinguisher or CO₂ fire extinguisher near the work area.

No source of ignition

- No person carrying out work on a cooling system involving exposing the piping may use any ignition source, which could create a fire or explosion risk. All possible ignition sources, in particular cigarettes, must not enter within a sufficient perimeter of the installation, repair, removal or disposal site, in the event that refrigerant could be released into the surrounding space. Before starting the work, the area around the equipment must be examined to check for all fire or ignition risks. "No smoking" signs must be displayed.

Area ventilation

- Before accessing the unit in any manner whatsoever with the intention of performing any maintenance task, check that the area is open and well-ventilated. Suitable ventilation must be provided throughout the maintenance task to allow any refrigerant that could be released into the atmosphere to be safely dispersed.

Refrigeration equipment check

- The manufacturer's recommendations in terms of care and maintenance must always be complied with. When replacing electric components, check that components used are of the same type and category as those recommended/approved by the manufacturer. When in doubt, contact the manufacturer's technical department for assistance.
- The following checks must be applied to installations using flammable refrigerants:
 - the markings on the equipment must remain visible and legible; any illegible markings or signs must be rectified;
 - the hoses or components of the cooling circuit are installed in a position where they are unlikely to be exposed to any substance capable of corroding the components containing refrigerant, unless the components are made from materials that are typically corrosion-proof or correctly protected from such corrosion.

Electric component check

- The repair and maintenance of electric components must include initial safety checks and component inspection procedures. If a defect capable of jeopardising safety arises, no power supply must be connected to the circuit until the problem has been completely resolved. If the defect cannot be rectified immediately and if maintenance work must continue, an appropriate temporary solution must be found. This must be reported to the equipment's owner so that all persons concerned are made aware.
- The repair and maintenance of electric components must include the following initial safety checks:

- the capacitors are discharged: this must be carried out safely to prevent all risks of ignition;
- no electric component or live wiring is exposed while charging, overhauling or draining the system;
- the system must be grounded at all times.

Repair of insulated components

- When repairing insulated components, all power sources must be disconnected from the equipment on which the work is being carried out before removing the insulating cover, etc. If the equipment must be powered during maintenance work, a leak detector must continuously monitor for leaks at the most critical point in order to report any potentially hazardous situation.
- Particular attention must be paid to the following points to ensure that, when performing work on the electric components, the housing is not altered to the point of affecting the protection rating. This includes damaged wires, an excessive number of connections, terminals that do not comply with the original specifications, damaged seals, incorrect installation of the cable glands, etc.
- Make sure that the appliance is properly fixed.
- Make sure that the seals or insulating materials are not deteriorated to the point that they no longer prevent a flammable atmosphere from penetrating the circuit. Spare parts must be compliant with the manufacturer's specifications.

Repair of intrinsically safe components

- Do not apply any permanent electric capacitance or induction charge to the circuit without checking that it does not exceed the allowed voltage and intensity for the equipment being used.
- Typically safe components are the only types on which work can be carried out in the presence of a flammable atmosphere when live. The test appliance must fall under a suitable classification.
- Only replace components with parts specified by the manufacturer. Other parts could cause the refrigerant to leak and ignite in the atmosphere.

Wiring

- Check that the wiring shows no signs of wear, corrosion, excessive pressure, vibration, cutting edges or any other detrimental environmental effect. The check must also take into account the effects of ageing or continuous vibrations caused by sources such as compressors or fans.

Detection of flammable refrigerant

- Under no circumstances must potential ignition sources be used to search for or detect refrigerant leaks. A halide torch (or any other detector using a naked flame) must not be used.
- The following leak detection methods are considered to be acceptable for all cooling systems.
- Electronic leak detectors can be used to detect refrigerant leaks; however, in the case of flammable refrigerants, the sensitivity level may not be suitable or recalibration may be necessary. (The detection equipment must be calibrated in an area devoid of refrigerant). Check that the detector is not a potential ignition source and is appropriate for the refrigerant used. The leak detection equipment must be adjusted to a percentage of the refrigerant's LFL and must be calibrated according to the refrigerant used. The appropriate gas percentage (25% at most) must be confirmed.
- Leak detection fluids are also suited for use with most refrigerants, however the use of detergents containing chlorine must be avoided since it could react with the refrigerant and cause corrosion to the copper piping.
- If a leak is suspected, all naked flames must be removed/extinguished.
- If a refrigerant leak is detected and requires soldering, the entire quantity of refrigerant must be removed from the system or isolated (by way of shut-off valves) in part of the system located away from the leak.

Removal and discharge

- When accessing the cooling circuit to carry out repairs, or for any other reason, conventional procedures must be employed. However, for flammable refrigerants, the recommendations must be complied with in order to take account of the product's flammability. The following procedure must be followed:

- remove the refrigerant;
- purge the circuit with an inert gas (optional for A2L);
- drain (optional for A2L);
- purge with an inert gas (optional for A2L);
- open the circuit by cutting or soldering.
- The refrigerant charge must be recovered in suitable recovery cylinders. For appliances containing flammable refrigerants other than A2L refrigerants, the system must be bled with nitrogen devoid of oxygen to make the appliance suitable for receiving flammable refrigerants. You may need to repeat this process several times. Compressed air or oxygen must not be used to purge cooling systems.

Loading procedures

- Check that the vacuum pump outlet is not located in the vicinity of any potential ignition source and that ventilation is provided.
- In addition to conventional charging procedures, the following requirements apply.
- Check that there is no possibility of cross-contamination between the different refrigerants when using charging equipment. Hoses or lines must be as short as possible to reduce the quantity of refrigerant contained therein.
- Cylinders must be kept in an appropriate position, in accordance with the instructions.
- Check that the cooling system is grounded before charging the system with refrigerant.
- Label the system once charging is complete (if this is not already the case).
- Pay close attention to not overfilling the cooling system.
- Before recharging the system, carry out a pressure test using a suitable purge gas. The system must be examined to make sure there are no leaks after the charging operation and before commissioning. A follow-up leak test must be carried out before leaving the site.

Dismantling

- Before dismantling, the technician must familiarise himself/herself with the equipment and its specifications. We highly recommend carefully recovering all refrigerants. Before this, oil and refrigerant samples must be taken if analyses are to be carried out before any other use of the recovered refrigerant. Check for the presence of a power supply before starting work.

1. Familiarise yourself with the equipment and how it operates.
2. Electrically isolate the system.
3. Before starting work, check the following points:
 - mechanical handling equipment is available if needed to handle the refrigerant cylinders;
 - all personal protective equipment is available and used correctly;
 - the recovery process is followed at all times by a cognizant person;
 - the recovery cylinders and equipment comply with the relevant standards.

1. Drain the cooling system where possible.
2. If a vacuum cannot be created, install a manifold in order to be able to remove the refrigerant from various locations within the system.
3. Make sure that the cylinder is located on the scales before starting recovery operations.
4. Start the recovery unit and operate as per its instructions.
5. Do not overfill the cylinders (no more than 80% of the volume must be filled with liquid).
6. Do not exceed the maximum working pressure of the cylinder, even temporarily.
7. When the cylinders have been filled correctly and the process is complete, check that the cylinders and the equipment are quickly removed from the site and that the alternative shut-off valves on the equipment are closed.
8. The recovered refrigerant must not be charged in another cooling system, unless it has been cleaned and inspected.

TROUBLESHOOTING

- All brazing must be carried out by qualified brazers.
- Replacement pipes must always be made of copper in compliance with standard NF EN 12735-1.
- Leak detection; pressure test:

- never use oxygen or dry air, risk of fire or explosion,
- use dry nitrogen or the mixture of nitrogen and refrigerant indicated on the information plate,
- the test pressure for both the high and low pressure circuits must not exceed 42 bar in cases where the appliance is equipped with the optional pressure gauge.
- The high pressure circuit pipes are made of copper and have a diameter equal to or greater than 1"5/8. A certificate as indicated in §2.1 in compliance with standard NF EN 10204 must be requested from the supplier and filed in the installation's technical file.
- Technical data relative to the safety requirements of the various applicable directives are indicated on the information plate. All this information must be recorded in the appliance's installation manual, which must be kept in its technical file: model, code, serial number, maximum and minimum OT, OP, year of manufacture, CE marking, manufacturer's address, refrigerant and weight, electrical parameters, thermo-dynamic and acoustic performance.

LABELLING

- The equipment must be labelled so as to specify that it is out of order and that the refrigerant has been drained.
- The label must be dated and signed.
- For appliances containing a flammable refrigerant, check that labels are placed on the equipment stating that it contains a flammable refrigerant.

RECOVERY

- When draining the refrigerant for maintenance or decommissioning, best practices should be followed in order to safely drain all of the refrigerant.
- When transferring refrigerant to a cylinder, make sure that you use a recovery cylinder that is compatible with the refrigerant. Make sure that the correct number of cylinders are provided for recovering all of the refrigerant. All cylinders used must be intended for the recovery of refrigerant and must be labelled for this specific refrigerant. The cylinders must be equipped with a vacuum valve and a stop gate in good working order. Empty collection cylinders are drained and, where possible, cooled before recovery.
- The recovery equipment must be in good working order, the instructions for using the equipment must be within reach and the equipment must be compatible for use with the refrigerant concerned, including, where appropriate, a flammable refrigerant. Moreover, a set of calibrated scales must be available and in good working order. The pipework must be complete, have no leaks or disconnected connectors, and must be in good condition. Before using the recovery unit, check that it is in good working order, that it has been well maintained and that the associated electric components are sealed so as to prevent any risk of fire in the event of refrigerant being released. If you have any doubts, contact the manufacturer.
- The recovered refrigerant must be sent to the refrigerant supplier in its recovery cylinder with a waste transfer note. Do not mix different refrigerants in the recovery units, and in particular in the cylinders.
- If the compressor has been removed or if oil from the compressor has been drained, check that the refrigerant has been completely removed to prevent it from mixing with the lubricant. The draining process must be carried out before returning the compressor to the supplier. Only the electric heater of the compressor body can be used to accelerate this process. This operation can be carried out safely once all liquids within the system have been drained.



RECYCLING

This symbol is required by the European directive DEEE 2012/19/EU (directive on waste electrical and electronic equipment) and means that your appliance must not be thrown into a normal bin. It will be selectively collected for the purpose of reuse, recycling or transformation. If it contains any substances that may be harmful to the environment, these will be eliminated or neutralised. Contact your retailer for recycling information.

FSN ON/OFF -5°C

User and Service manual

INDEX

1. Specifications
2. Dimension
3. Installation and connection
4. Accessories
5. Electrical Wiring
6. Display Controller Operation
7. Troubleshooting
8. Exploded Diagram
9. Maintenance

Thank you for using our swimming pool heat pump for your pool heating, it will heat your pool water and keep the constant temperature when the air ambient temperature is between -5 and 43°C

 **ATTENTION: This manual includes all the necessary information with the use and the installation of your heat pump.**

The installer must read the manual and attentively follow the instructions in implementation and maintenance. Please keep on pass on this manual for later throughout the appliance 's service life.

The installer is responsible for the installation of the product and should follow all the instructions of the manufacturer and the regulations in application. Incorrect installation against the manual implies the exclusion of the entire guarantee.

The manufacturer declines any responsibility for the damage caused with the people, objects and of the errors due to the installation that disobey the manual guideline. Any use that is without conformity at the origin of its manufacturing will be regarded as dangerous.

1. Specifications

1.1 Technical data

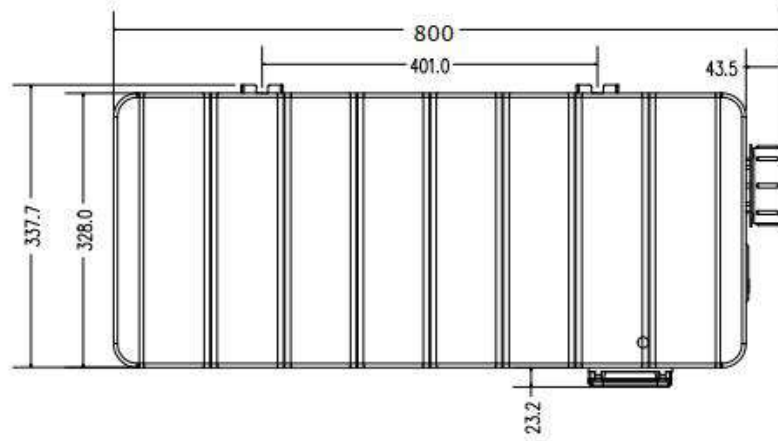
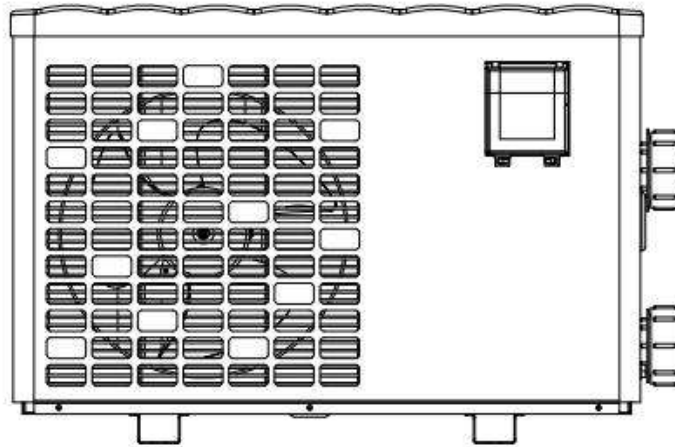
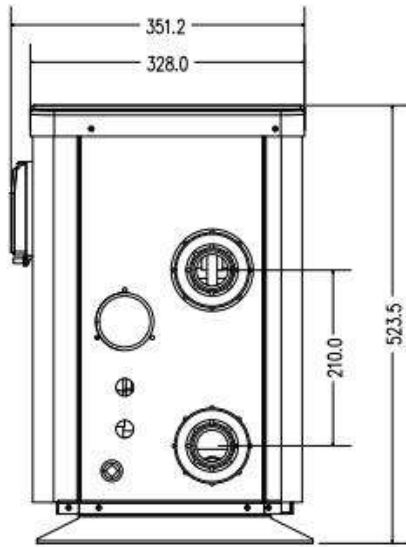
MODEL		74143	74144	74145	74146	74147
Code		FSN-05	FSN-08	FSN-11	FSN-14	FSN-17
* Performance at Air 28 °C,Water 28 °C,Humidity 80%						
Heating capacity	kW	5	7.5	11	14	16.5
Power consumption	kW	1	1.4	2.2	2.6	2.9
C.O.P.		5	5.4	5	5.4	5.7
* Performance at Air 15 °C,Water 26 °C,Humidity 70%						
Heating capacity	kW	3.5	5.5	7.5	9.5	11.5
Power consumption	kW	0.9	1.3	1.8	2.3	2.50
C.O.P.		4	4.4	4.3	4.2	4.6
* General data						
Compressor type		Rotary/R32				
Voltage	V	220-240V/50Hz/1PH				
Rated current	A	4.3	6.0	9.4	11.1	12.8
Minimum fuse	A	12	17	26	31	35
Advised water flux	m ³ /h	2.5~3.2	2.5~3.7	3.5~7.1	4~7.9	4.6~9.3
Water pressure drop	Kpa	12	12	15	15	15
Heat exchanger		Twisted Titanium exchanger in PVC				
Water connection	mm	50				
Fan quantity		1				
Ventilation type		Horizontal				
Noise level(10m)	dB(A)	31	32	35	37	37
Noise level(1m)	dB(A)	49	50	52	54	54
Refrigerant (R32)	g	400	550	950	1000	1000
CO2 equivalent	Tonne	0.27	0.37	0.64	0.68	0.68
* Dimension/Weight						
Net weight	Kg	38	48	54	72	76
Gross weight	Kg	40	50	56	76	84
Net dimension	mm	800*360.9*523.5	977.6*396.2*571.5		1102.3*432.7*703.7	
Packing dimension	mm	875*385*560	1055*420*605		1125*490*728	

* Above data are subjects to modification without notice.

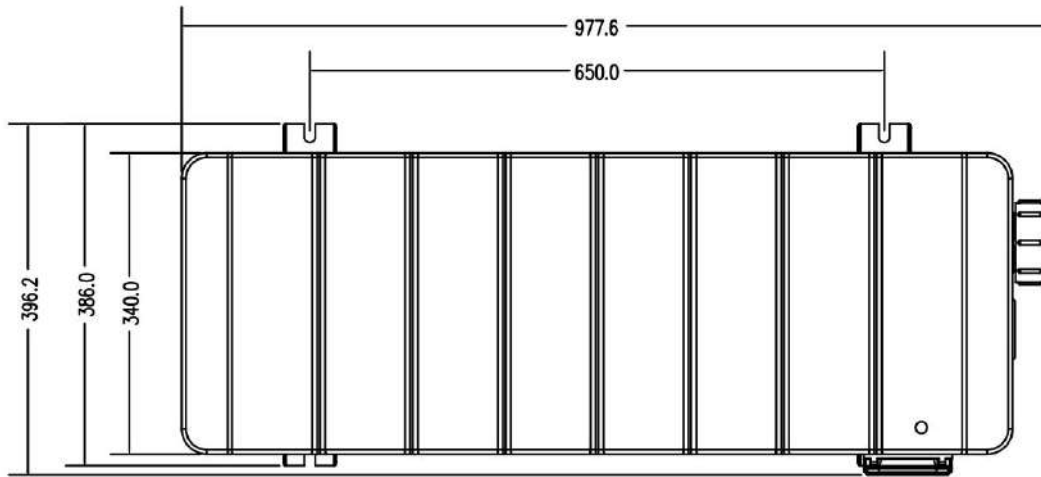
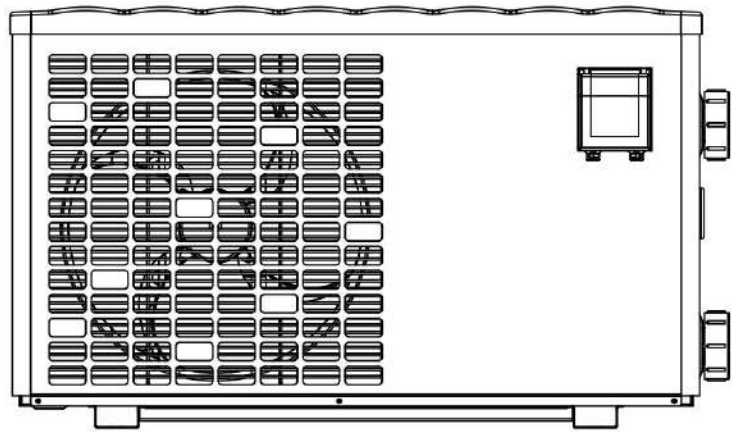
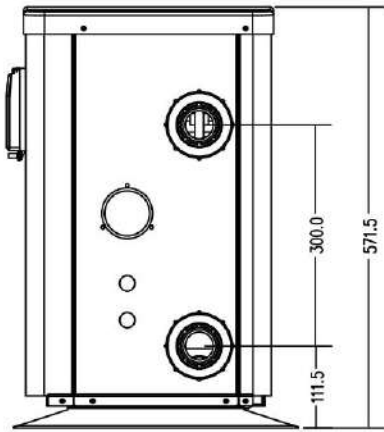
2. Dimension

unit:mm

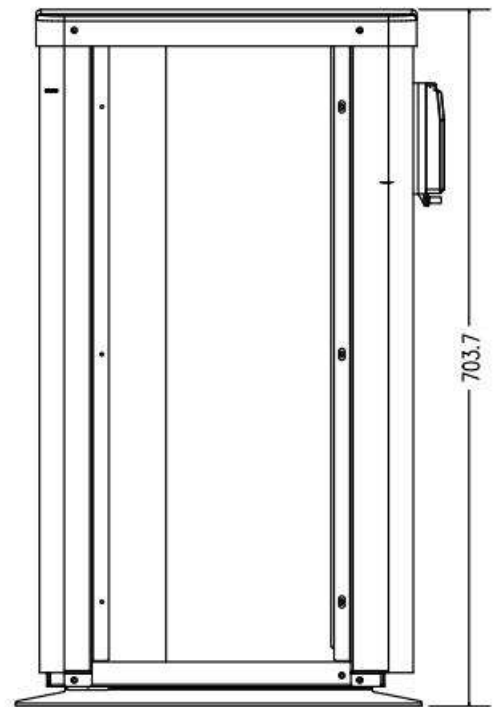
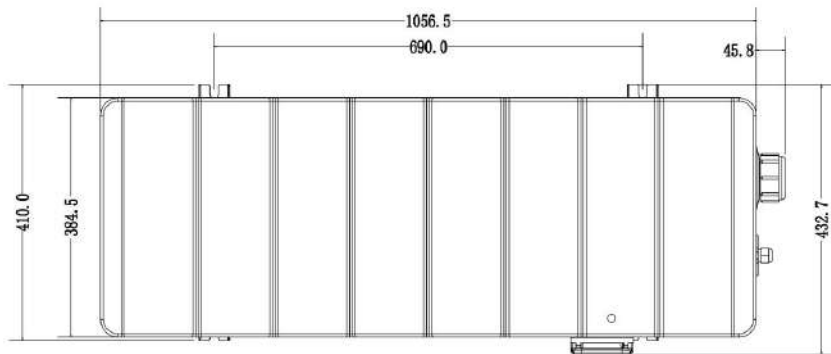
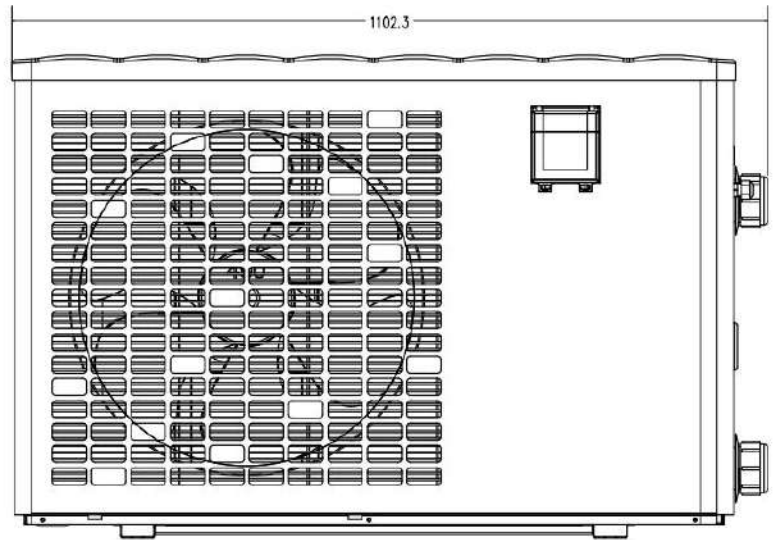
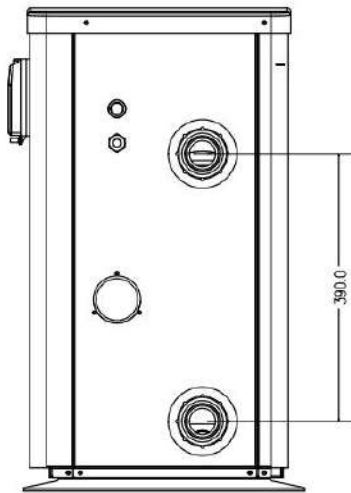
Model:FSN-05



Model:FSN-08 & FSN-11



Model:FSN-14 & FSN-17



3. Installation and connection

3.1 Notes

The factory supplies only the heat pump. All other components, including a bypass if necessary, must be provided by the user or the installer.

Attention:

Please observe the following rules when installing the heat pump:

1. Any addition of chemicals must take place in the piping located **downstream** from the heat pump.
2. Install a bypass if the water flow from the swimming pool pump is more than 20% greater than the allowable flow through the heat exchanger of the heat pump.
3. Install the heat pump above the water level of the swimming pool.
4. Always place the heat pump on a solid foundation and use the included rubber mounts to avoid vibration and noise.
5. Always hold the heat pump upright. If the unit has been held at an angle, wait at least 24 hours before starting the heat pump.

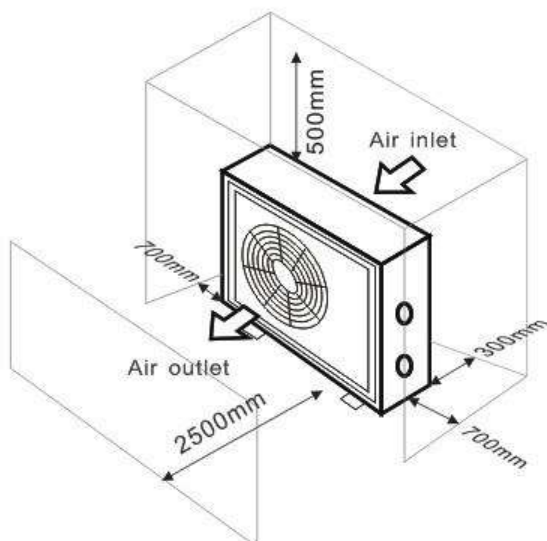
3.2 Heat pump location

The unit will work properly in any desired location as long as the following three items are present:

- 1. Fresh air – 2. Electricity – 3. Swimming pool filters**

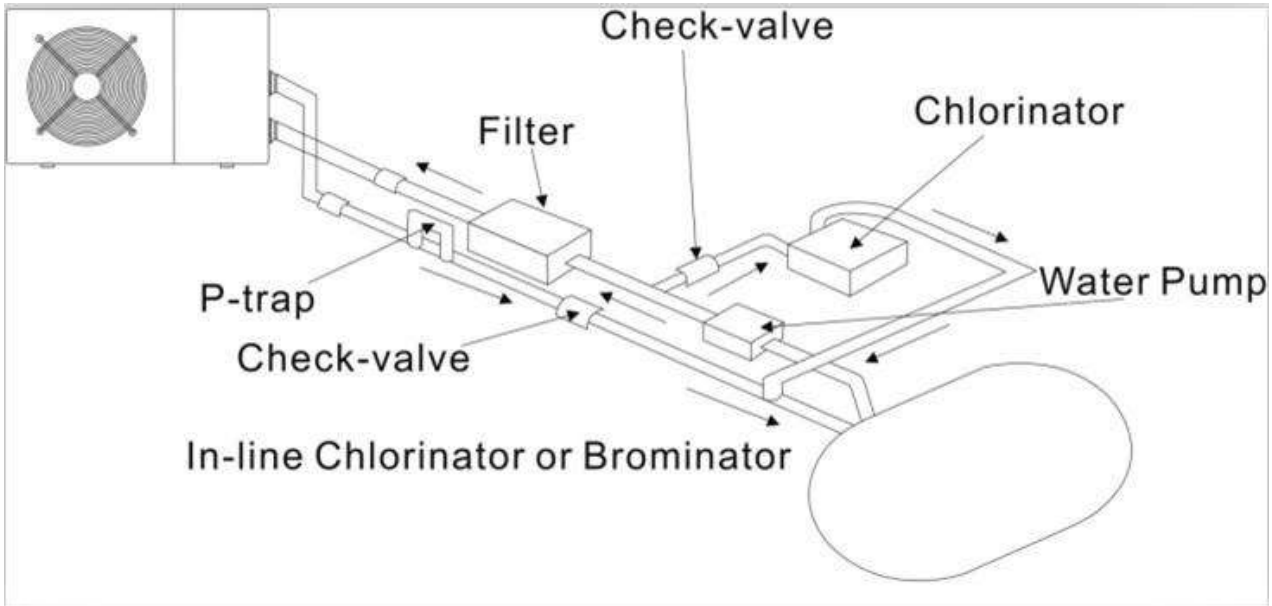
The unit may be installed in virtually any **outdoor** location as long as the specified minimum distances to other objects are maintained (see drawing below). Please consult your installer for installation with an indoor pool. Installation in a windy location does not present any problem at all, unlike the situation with a gas heater (including pilot flame problems).

ATTENTION: Never install the unit in a closed room with a limited air volume in which the air expelled from the unit will be reused, or close to shrubbery that could block the air inlet. Such locations impair the continuous supply of fresh air, resulting in reduced efficiency and possibly preventing sufficient heat output. See the drawing below for minimum dimensions.

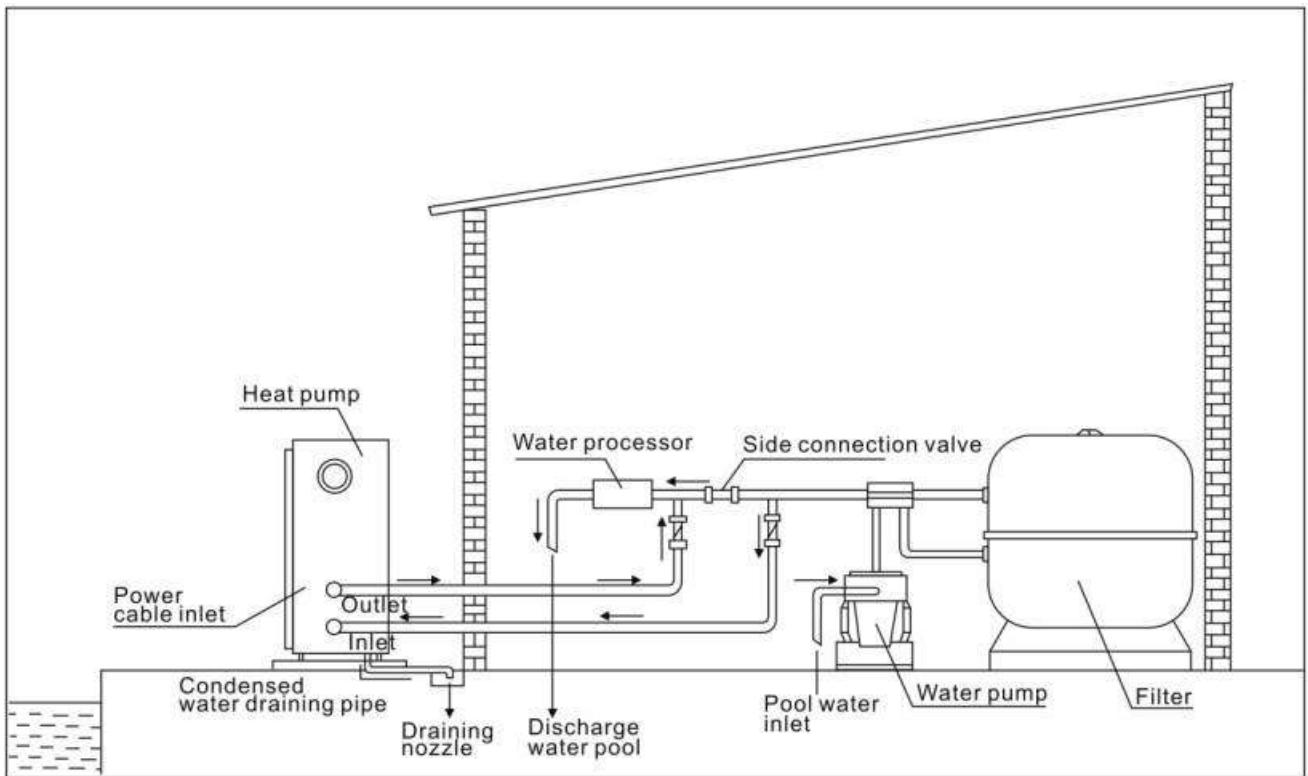


3.3 Check-valve installation

Note: If automatic dosing equipment for chlorine and acidity (pH) is used, it is essential to protect the heat pump against excessively high chemical concentrations which may corrode the heat exchanger. For this reason, equipment of this sort must always be fitted in the piping on the **downstream** side of the heat pump, and it is recommended to install a check-valve to prevent reverse flow in the absence of water circulation. Damage to the heat pump caused by failure to observe this instruction is not covered by the warranty.

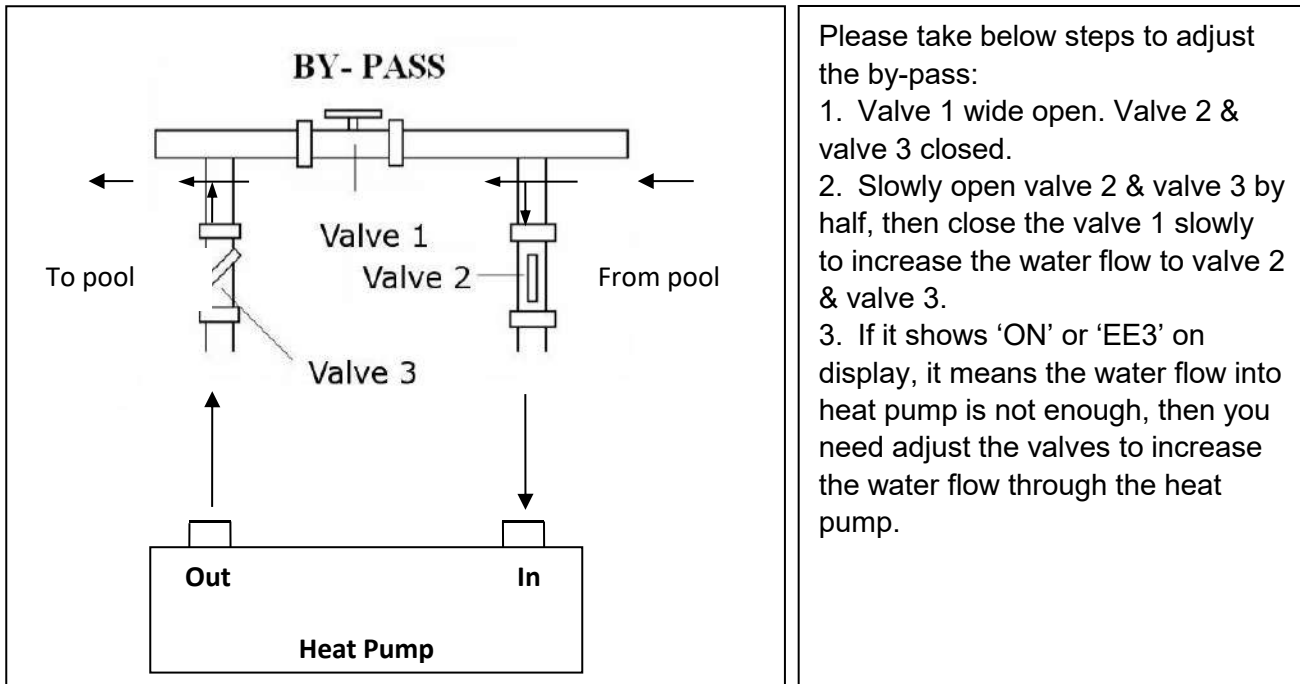


3.4 Typical arrangement



Note: This arrangement is only an illustrative example.

3.5 Adjusting the bypass



How to get the optimum water flow.

Please turn on the heat pump under heating function, firstly close the by-pass then open it slowly to start the heat pump (the machine can't start running when the water flow is insufficient)

Continue to adjust the by-pass, at the meantime to check the Inlet water temp. & Outlet water temp., it will be optimum when the difference is around 2 degree.

3.6 Electrical connection

Note: Although the heat pump is electrically isolated from the rest of the swimming pool system, this only prevents the flow of electrical current to or from the water in the pool. Earthing is still required for protection against short-circuits inside the unit. Always provide a good earth connection. The installer must consult the electricity provider if necessary and ensure that the equipment is connected correctly to an electricity network with impedance under 0.095 ohm.

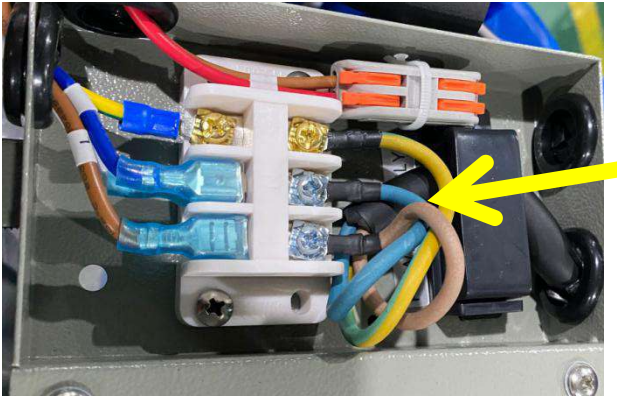
Warning : Before any work inside the appliance, you must cut the appliance's electricity supply as there is a risk of electric shock which may cause material damage, serious injury or even death.

- Incorrectly tightened terminals may cause the terminal box to heat up, which can invalidate the warranty.
- Only a qualified and experienced technician is authorised to carry out cabling work within the appliance or to replace the power cord.

Before connecting the unit, verify that the supply voltage matches the operating voltage of the heat pump. It is recommended to connect the heat pump to a circuit with its own fuse or circuit breaker (slow type; curve D) and to use adequate wiring.

Connect the electrical wires to the terminal block marked ' POWER SUPPLY '.


A second terminal block marked 'WATER PUMP ' is located next to the first one. The filter pump (max. 5 A 0 V) can be connected to the second terminal block here. This allows the filter pump operation to be controlled by the heat pump.



3.7 Initial operation

Note: In order to heat the water in the pool (or hot tub), the filter pump must be running to cause the water to circulate through the heat pump. The heat pump will not start up if the water is not circulating.

After all connections have been made and checked, carry out the following procedure:

1. Switch on the filter pump. Check for leaks and verify that water is flowing from and to the swimming pool.
2. Connect power to the heat pump and press the On/Off button  on the electronic control panel. The unit will start up after the time delay expires (see below).
3. After a few minutes, check whether the air blowing out of the unit is cooler.
4. When turn off the filter pump , the unit should also turn off automatically , if not, then adjust the flow switch.
5. Allow the heat pump and the filter pump to run 24 hours a day until the desired water temperature is reached. The heat pump will stop running at this point. After this, it will restart automatically (as long as the filter pump is running) whenever the swimming pool water temperature drops 2 degree below the set temperature.

Depending on the initial temperature of the water in the swimming pool and the air temperature, it may take several days to heat the water to the desired temperature. A good swimming pool cover can dramatically reduce the required length of time.

Water Flow Switch:

It is equipped with a flow switch for protecting the HP unit running with adequate water flow rate .It will turn on when the pool pump runs and shut it off when the pump shuts off. If the pool water level higher than 1 m above or below the heat pump's automatic adjustment knob, your dealer may need to adjust its initial start up.

Time delay - The heat pump has a built-in 3-minute start-up delay to protect the circuitry and avoid excessive contact wear. The unit will restart automatically after this time delay expires. Even a brief power interruption will trigger this time delay and prevent the unit from restarting immediately. Additional power interruptions during this delay period do not affect the 3-minute duration of the delay.

3.8 Condensation

The air drawn into the heat pump is strongly cooled by the operation of the heat pump for heating the pool water, which may cause condensation on the fins of the evaporator. The amount of condensation may be as much as several litres per hour at high relative humidity. This is sometimes mistakenly regarded as a water leak.

4. Accessories

4.1 Accessories list

 <p>Anti-vibration base, 4 pcs</p>	 <p>Draining jet, 2 pcs</p>	 <p>Waterproof box, 1 pc</p>
 <p>Winter cover, 1pc</p>	 <p>Water drainage pipes, 2 pcs</p>	 <p>10M signal wire, 1 pc</p>

4.2 Accessories Installation

	<p>Anti-vibration bases</p> <ol style="list-style-type: none"> 1. Take out 4 Anti-vibration bases 2. Put them one by one on the bottom of machine like the picture.
 	<p>Draining jet</p> <ol style="list-style-type: none"> 1. Install the draining jet under the bottom panel 2. Connect with a water pipe to drain out the water. <p>Note: Lift the heat pump to install the jet. Never overturn the heat pump, it could damage the compressor.</p>



Water Inlet & outlet junction

1. Install the two joints like the picture shows
2. Screw them onto the water Inlet & outlet junction



Cable wiring

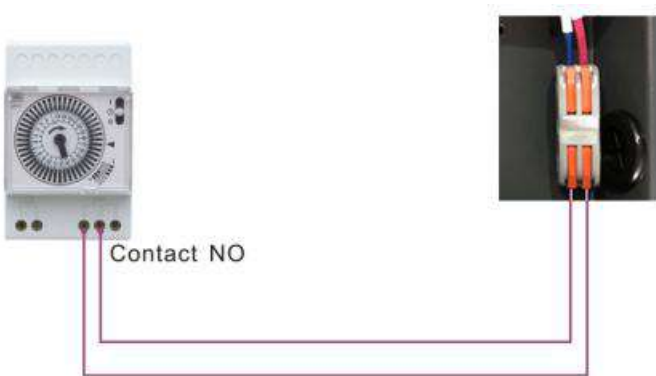
1. Open the cover of the electric box
2. Fix the power supply wire on joints L N E



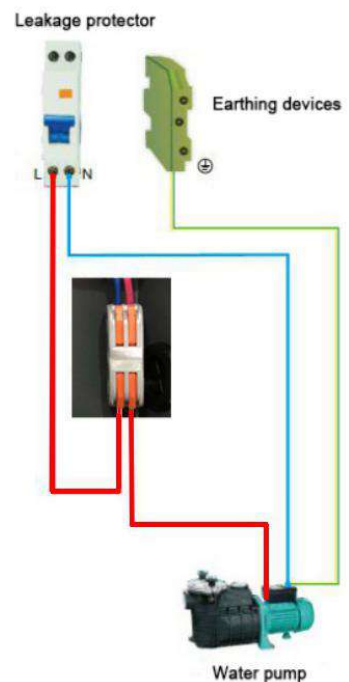
Water pump wiring (Dry contact)

1. Open the cover of the electric box
2. With the connector 1 and 2 you can pilot the water filtration through the timer of the filtration (dry contact)

Dry contact timer connection
Timer



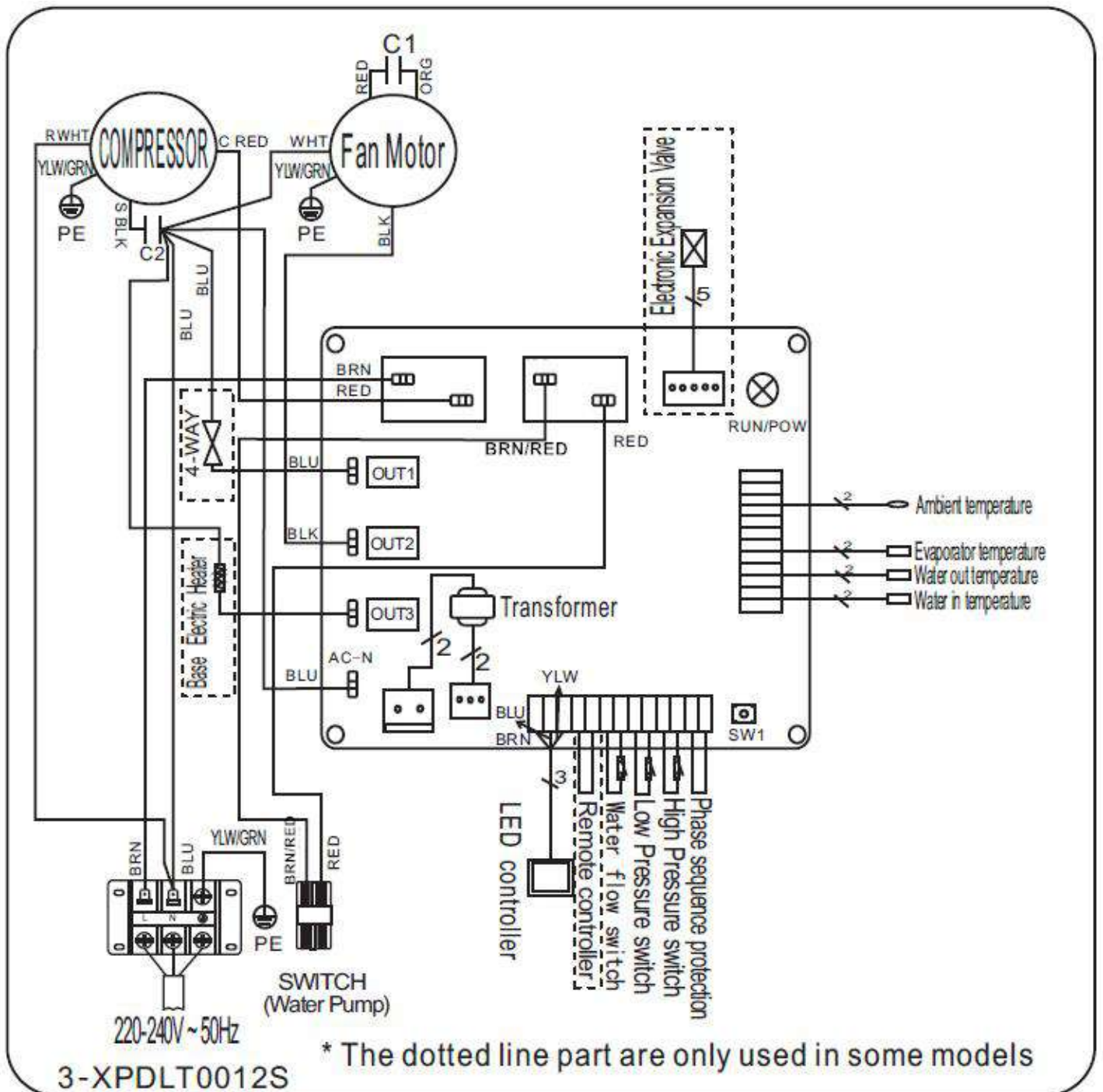
Dry contact pump connection



5. Electrical Wiring

5.1 SWIMMING POOL HEAT PUMP WIRING DIAGRAM

FSN-05 / FSN-08 / FSN-11



FSN-05:

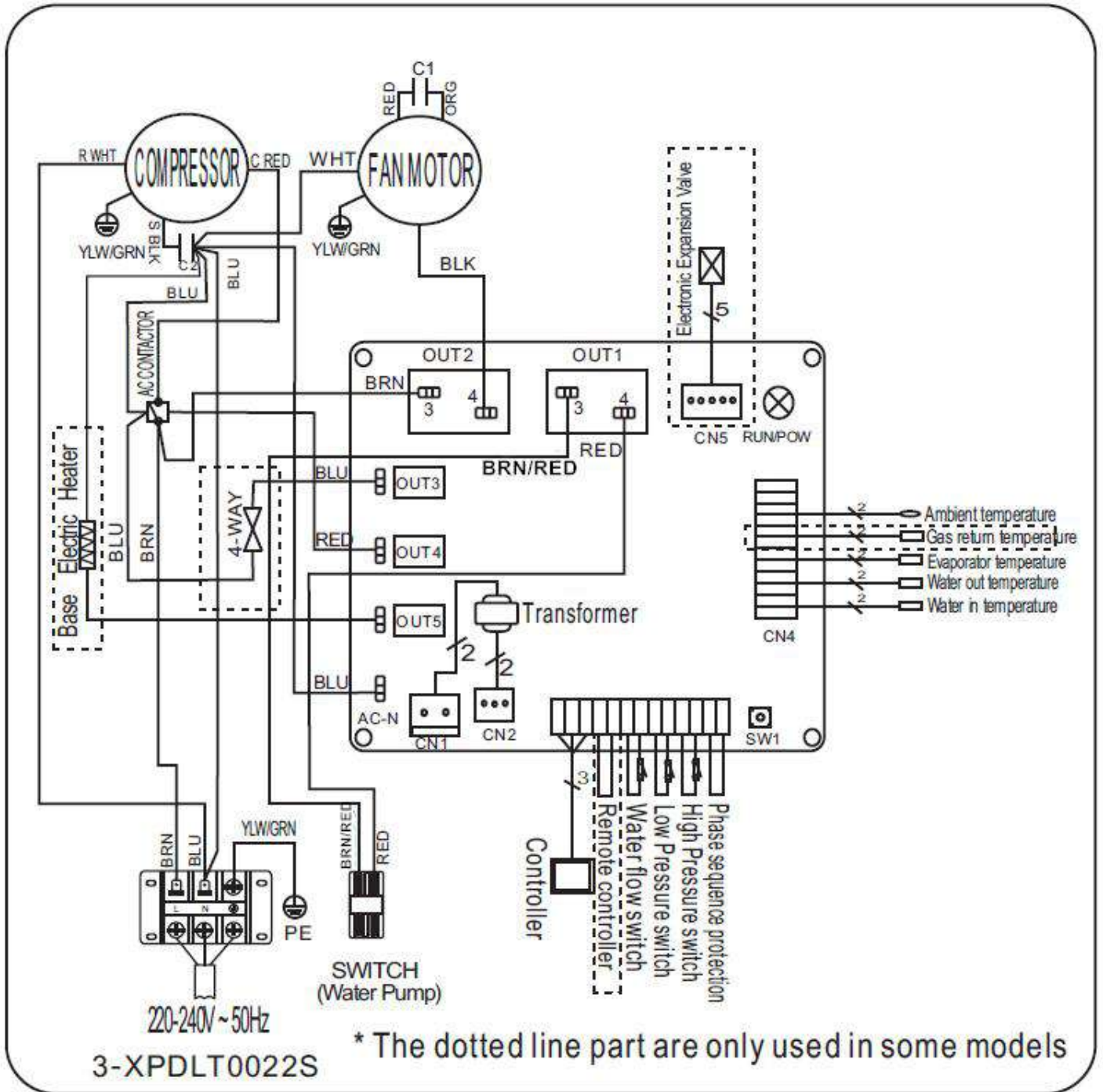
C1 = Fan Motor capacitor value = 2uF/450V

C2 = Compressor capacitor Value = 35uF/450V

FSN-08 / FSN-11:

C1 = Fan Motor capacitor value = 2uF/450V

C2 = Compressor capacitor Value = 60uF/450V



FSN-14/ FSN-17:

C1 = Fan Motor capacitor value = 6uF/450V

C2 = Compressor capacitor Value = 70uF/450V

NOTE:

- (1) Above electrical wiring diagram only for your reference, it is subjected to the wiring diagram posted on the machine.
- (2) The swimming pool heat pump must be connected ground wire well, although the unit heat exchanger is electrically isolated from the rest of the unit. Grounding the unit is still required to protect you against short circuits inside the unit. Bonding is also required.

Disconnect: A disconnect means (circuit breaker, fused or un-fused switch) should be located within sight of and readily accessible from the unit. This is common practice on commercial and residential heat pumps. It prevents remotely-energizing unattended equipment and permits turning off power at the unit while the unit is being serviced.

5.2 Installation of the remote control

Photo (1)



Photo (2)



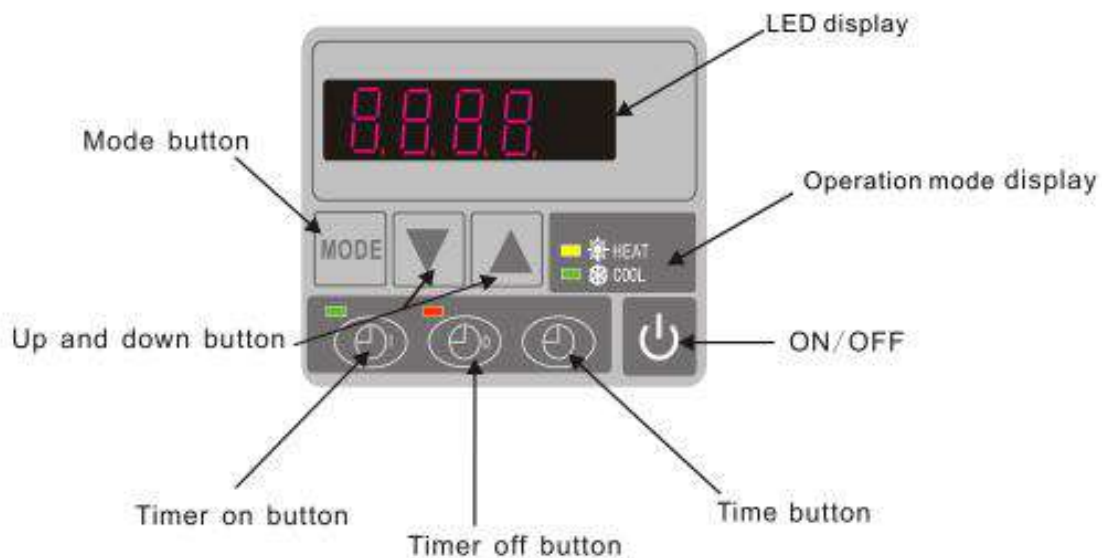
Photo (3)



- Disassembling of and disconnected control board of the connector (photo1)
- Installation of the provided cable (photo 2)
- To pass the cable by the press pack (photo 3) and to connect the port directly


6.Operation


6.1 The buttons of LED wire controller




When the heat pump is running, the LED display shows the inlet water temperature.
When the heat pump is standby, the LED display shows the real time.

6.2 Start or stop the heat pump.




Press  to start the heat pump unit, the LED display shows the desired water temperature for 5 seconds, then shows the inlet water temperature.

Press  to stop the heat pump unit.

6.3 Choose heating or cooling mode:

Press  until "heat" or "Cool" light is on.

6.4 Setting the real time

On standby or running mode, press , then press  or  to adjust hour/minute.

Then press the  again to store the new data.

When setting the time,  and  cannot work.

6.5 Water temperature setting:


On standby or running mode, press  and  to adjust the desired water temperature

Note : the heat pump can running only if the water circle/filtration system is running.

6.6 Automatic start/stop the heat pump


To set the time to start the unit

Press  to set the time to start the unit, then press  or  to adjust the time (set the time for start 5 minutes after the water pump).

Press  again to store the new data.

To set the time to stop the unit

Press  to set the time to stop running, then press  or  to adjust the time (set the time for stop 5 minutes before the water pump).

Press  again to store the new data.

6.7 Cancel the automatic start/stop

To cancel the automatic starter

Press , then press “”,  light off and the automatic start is off.

To cancel the automatic stopper




Press , then press “”,  light off and the automatic stop is off.

Note : If the water filtration system is stop before the heat pump, the unit will shut down (security condition) and the code EE3 or ON advertise on the controller.

It is important to program the heat pump link the time program of the water filtration system. For restart the heat pump, turn off and turn on the electrical power supply to restart the unit.

6.8. Running data setting

6.8.1 How to check the parameters

On standby or running mode, long press “” for 10 seconds, then press  or  to check the parameters (from 0 to H, see operation parameter table).

6.8.2 How to adjust the parameters (Can only adjust on standby mode)

1) Long press “” for 10 seconds, press “” again to select the data (from 0 to L, see operation parameter table) you want to adjust.

2) Then press  or  to adjust the parameter, press “” again to store the new data.

3) Then press  or  select the other datas you want to adjust, repeat above operation.

Parameter 0
To set the entering water temp. under cooling mode (8-35°C, default setting: 28°C)

Parameter 1
To set the entering water temp. under heating mode (15-40°C, default setting: 28°C)

Parameter 2
Total working time of compressor after frosting (30-90MIN, default setting : 40MIN)

Parameter 3
Terms of Entry defrosting function (-30°C to 0°C, default setting -7°C)

Parameter 4
Terms of Exit defrosting function (2 to 30°C, default setting 13°C)

Parameter 5
Time of Exit defrosting (1 to 12MIN, default setting 12MIN)

Parameter 6
Mode : 0 Heat
1 Heat and Cool
default setting: 1 Heat and Cool

Parameter 7
Mode selection of Electronic expansion valve (0 to 1), default setting 1 (auto)

Parameter 8
Heating target for superheat (-15°C-15°C) default setting : 3°C

Parameter 9
Heating target for superheat (-15°C - 15 °C) default setting: -2 °C

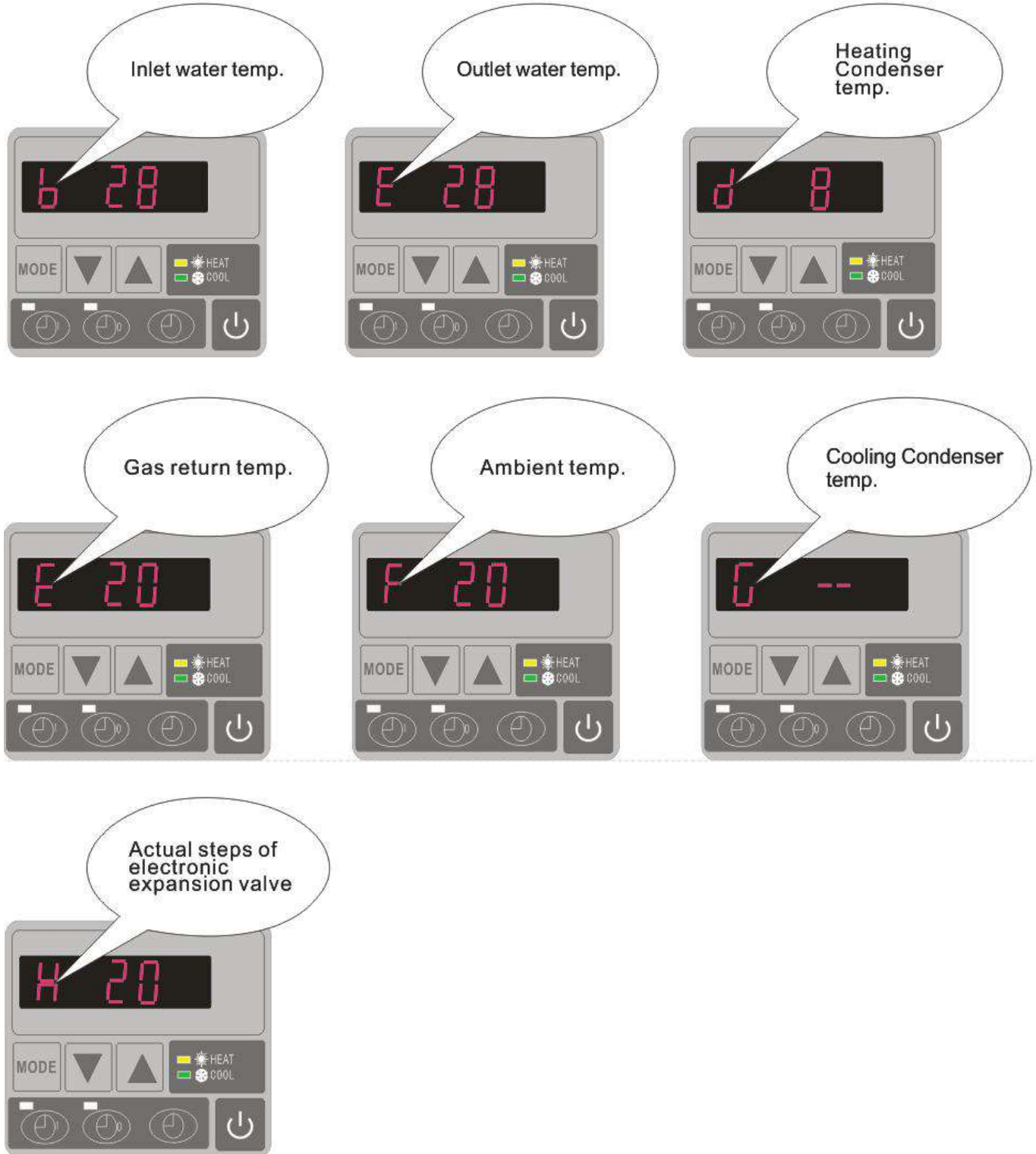
Parameter A
Manual adjustment steps of electronic expansion valve (18 - 94) default setting: 70(*5)

Parameter L
Water inlet temperature calibration (-9.9-9.9°C) default setting: 0 °C

Please kindly noted:

- A) Press "MODE" to choose mode (Mode only be changed for "1" or "2" setting of parameter 6)
- B) Mode can be changed while running
- C) Auxiliary electrical heating is not applicable to these modes.

6.8.3 How to know the current status



Parameter	Meaning	Range	Default	Remarks
0	To set the entering water temp. under cooling mode	8-35℃	28℃	Adjustable
1	To set the entering water temp. under heating mode	15-40℃	28℃	Adjustable
2	Entry into defrosting time period	30-90MIN	40MIN	Adjustable
3	Terms of Entry defrosting function	-30℃ to 0℃	-7℃	Adjustable
4	Terms of Exit defrosting	2 to 30℃	20℃	Adjustable
5	Time of Exit defrosting	1 to 12MIN	12MIN	Adjustable
6	Mode: 0 Heat 1 Heat and Cool	0-1	1(Heat and Cool)	Adjustable
7	Mode selection of Electronic expansion valve	0-1	1(auto)	Adjustable
8	Superheat for heating target	-15℃-15℃	3℃	Adjustable
9	Superheat for cooling target	-15℃-15℃	-2℃	Adjustable
A	Manual adjustment steps of electronic expansion valve	18-94	70	Adjustable
B	Inlet water temperature	-9-99℃		Exact testing by value
C	Outlet water temperature	-9-99℃		Exact testing by value
D	Condenser temperature under heating mode	-9-99℃		Exact testing by value
E	Gas return temperature	-9-99℃		Exact testing by value
F	Ambient temperature	-9-99℃		Exact testing by value
G	Condenser temperature under Cooling mode	-9-99℃		Exact testing by value
H	Actual steps of electronic expansion valve	N*5		Exact testing by value
L	Entering water temperature calibration	-9.9-9.9℃	0℃	Adjustable

Remarks:

(1) When HP stop running in 30 seconds, water pump will shut off automatically








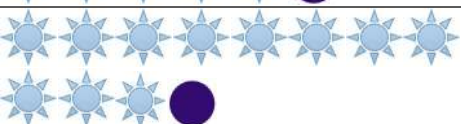








(2) LED wire controller can operate the water pump after connected additional cable to the pump device in the position of "PUMP" terminal accurately.

7. Troubleshooting

7.1 Error code display on LED wire controller

Malfunction	Error code	Reason	Solution
Low ambient temperature protection	PP0	Ambient temperature is too low	
Inlet water temperature sensor failure	PP1	The sensor in open or short circuit	Check or change the sensor
Outlet water temperature sensor failure	PP2	The sensor in open or short circuit	Check or change the sensor
Heating condenser sensor failure	PP3	The sensor in open or short circuit	Check or change the sensor
Gas return sensor failure	PP4	The sensor in open or short circuit	Check or change the sensor
Ambient temperature sensor failure	PP5	The sensor in open or short circuit	Check or change the sensor
Temperature difference too much protection water inlet and outlet	PP6	Water flow volume is not enough	Check the water flow volume or water jammed or not.
First grade antifreeze protection in Winter	PP7	Ambient temperature or water inlet temperature is too low	Water pump will run automatically for first grade antifreeze
Second grade antifreeze protection in Winter	PP7	Ambient temperature or water inlet temperature is too low	Heat pump will start heating for second grade antifreeze
High pressure protection	EE1	<ol style="list-style-type: none"> 1. Refrigerant is too much 2. Air flow is not enough 	<ol style="list-style-type: none"> 1. Discharge redundant refrigerant from HP gas system 2. Clean the air exchanger
Low pressure protection	EE2	<ol style="list-style-type: none"> 1. Refrigerant is not enough 2. Water flow is not enough 3. Filter jammed or capillary jammed 	<ol style="list-style-type: none"> 1. Check if there is any gas leakage, re-fill the refrigerant 2. Clean the air exchanger 3. Replace the filter or capillary
Flow switch closed	ON /EE3	Low water flow, wrong flow direction, or flow switch failure.	Check if the water flow is enough and flow in right direction, or else the flow switch could be failed.
Inlet and outlet water temperature difference malfunction	EE5	Water flow volume is not enough, water pressure difference is too low	Check the water flow rate or water system is jammed or not
Communication failure	EE8	Wire connection is not good	Check the wire connection

7.2 Malfunction display on PCB

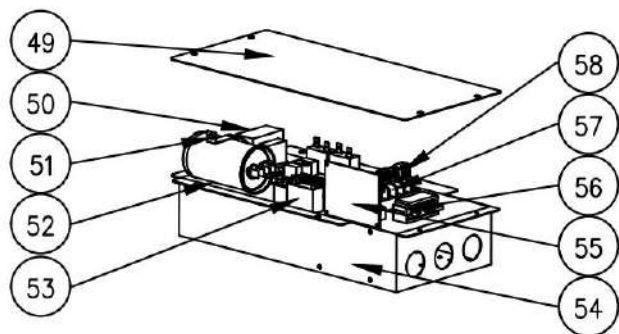
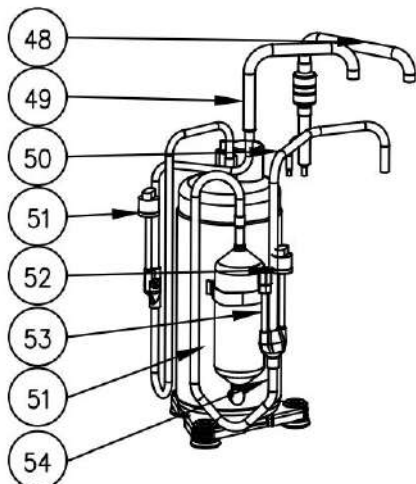
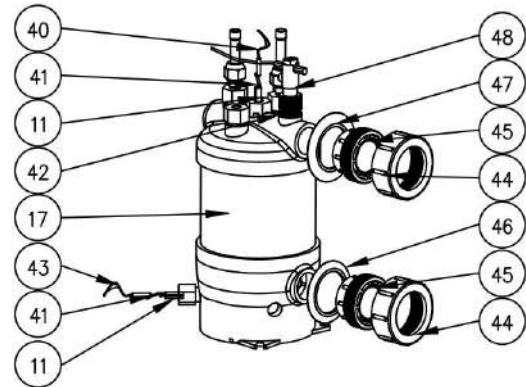
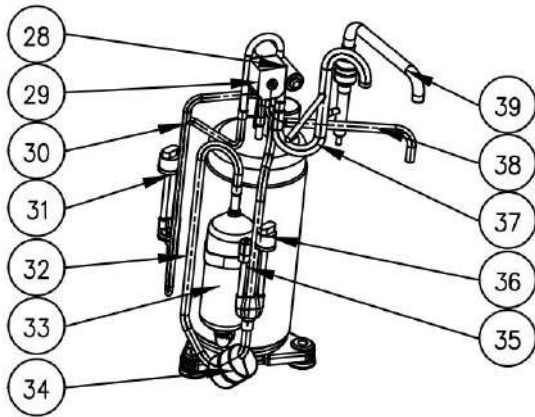
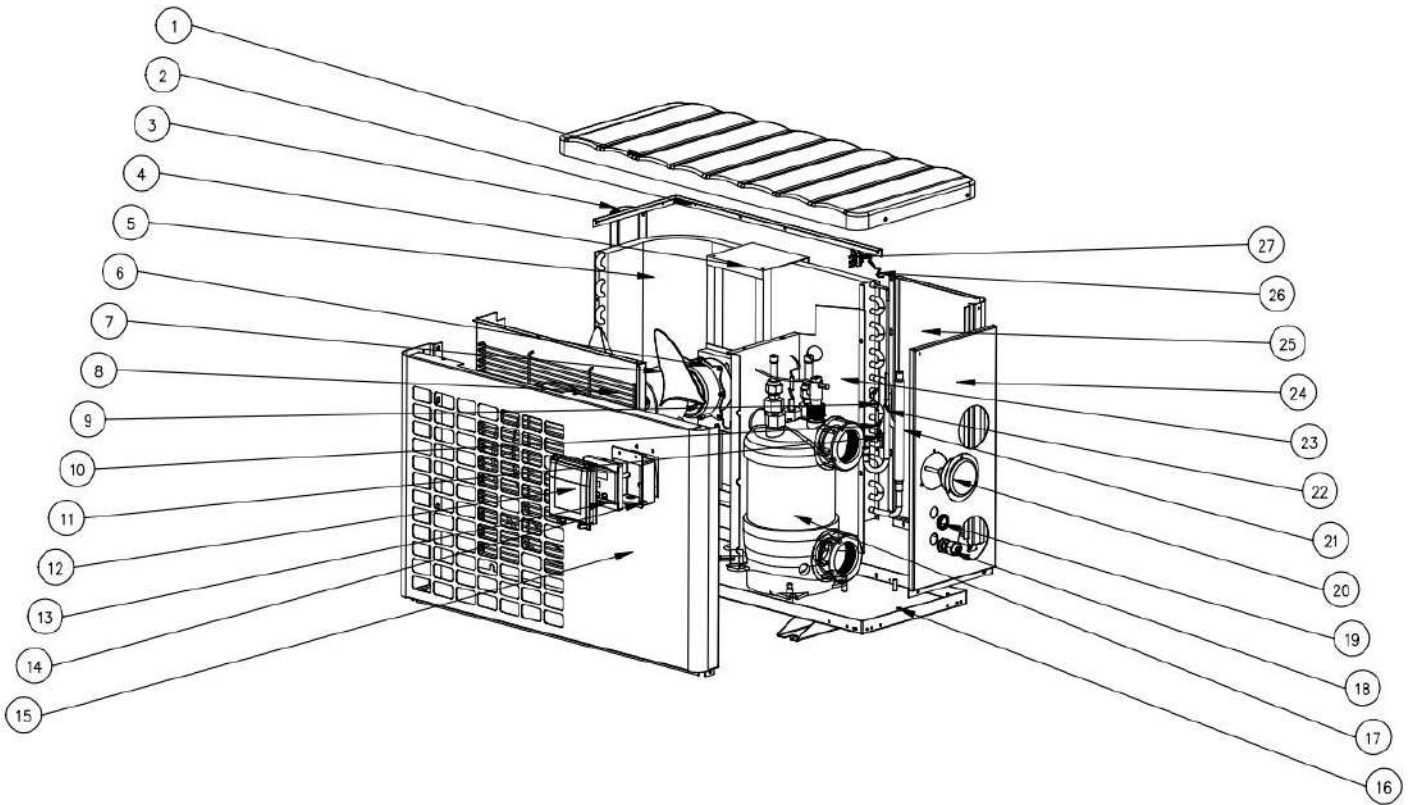
Protection /Malfunction	Controller display	Malfunction light display on PCB
Heat pump standby status	ON	
Heat pump running	Water in temperature	
Low ambient temperature protection	PP0	
Inlet water temperature sensor failure	PP1	
Outlet water temperature sensor failure	PP2	
Heating condenser sensor failure	PP3	
Gas return sensor failure	PP4	
Ambient temperature sensor failure	PP5	
Temperature difference too much protection between water inlet and outlet	PP6	
First grade antifreeze protection in Winter	PP7	
Second grade antifreeze protection in Winter	PP7	
High pressure protection	EE1	
Low pressure protection	EE2	
Flow switch closed	ON/EE3	
Inlet and outlet water temperature difference malfunction	EE5	
Defrosting	Defrosting	

7.3 Other Malfunctions and Solutions (No display on LED wire controller)

Malfunctions	Observing	Reasons	Solution
Heat pump is not running	LED wire controller no display.	No power supply	Check cable and circuit breaker if it is connected
	LED wire controller displays the actual time.	Heat pump under standby status	Startup heat pump to run.
	LED wire controller displays the actual water temperature.	<ol style="list-style-type: none"> 1. Water temperature is reaching to setting value, HP under constant temperature status. 2. Heat pump just starts to run. 3. Under defrosting. 	<ol style="list-style-type: none"> 1. Verify water temperature setting. 2. Startup heat pump after a few minutes. 3. LED wire controller should display "Defrosting".
Short running	LED displays actual water temperature, no error code displays.	<ol style="list-style-type: none"> 1. Fan NO running. 2. Air ventilation is not enough. 3. Refrigerant is not enough. 	<ol style="list-style-type: none"> 1. Check the cable connections between the motor and fan, if necessary, it should be replaced. 2. Check the location of heat pump unit, and eliminate all obstacles to make good air ventilation. 3 Replace or repair the heat pump unit.
Water stains	Water stains on heat pump unit.	<ol style="list-style-type: none"> 1. Concreting. 2. Water leakage. 	<ol style="list-style-type: none"> 1. No action. 2. Check the titanium heat exchanger carefully if it is any defect.
Too much ice on evaporator	Too much ice on evaporator.		<ol style="list-style-type: none"> 1. Check the location of heat pump unit, and eliminate all obstacles to make good air ventilation. 2. Replace or repair the heat pump unit.

8. Exploded Diagram

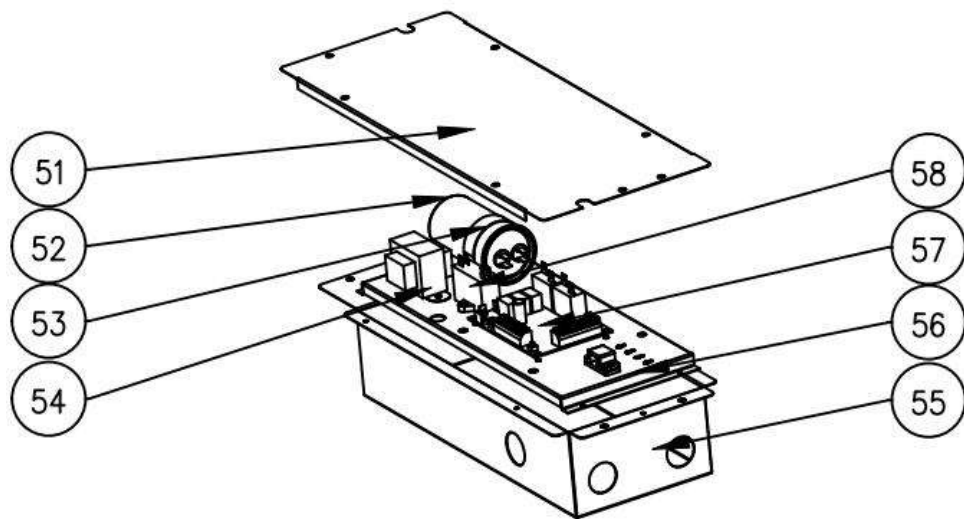
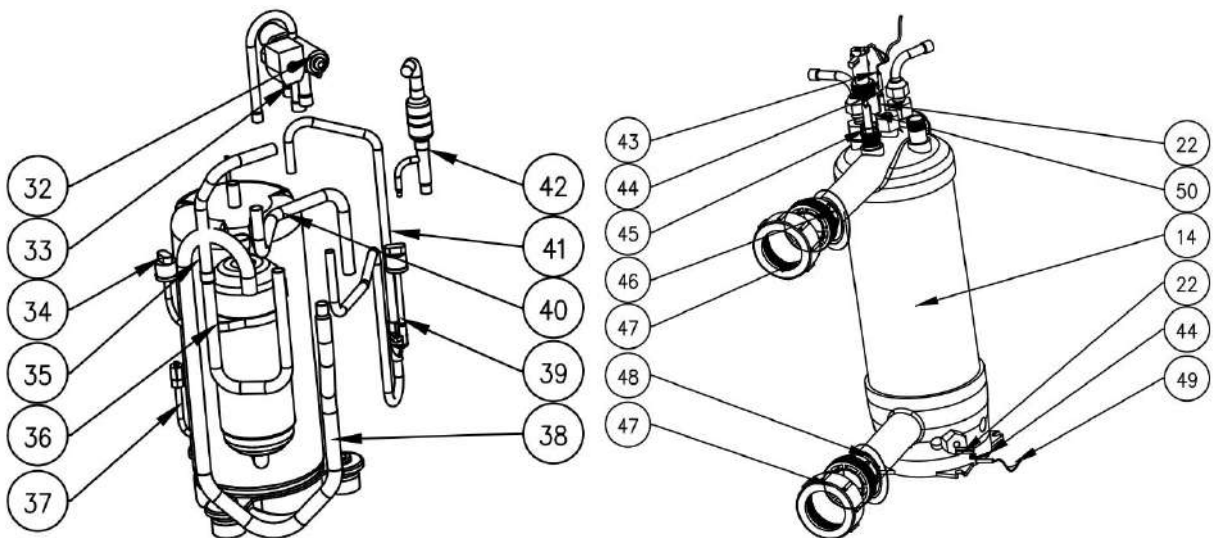
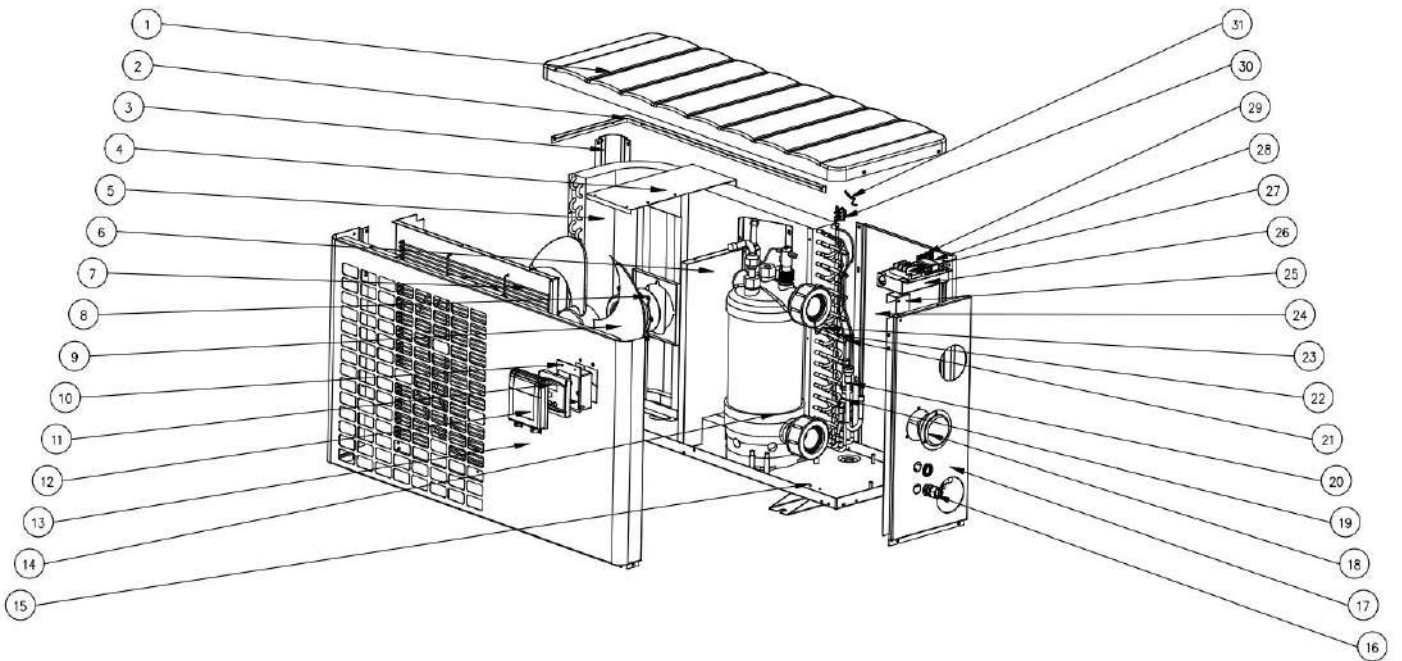
Model: FSN05



Spare parts list: FSN05

NO	ERP	Spare parts	NO	ERP	Spare parts
1	133420002	Top cover	30	113010408	Discharge pipe
2	108920005	Fan motor bracket support	31	112100030	High pressure switch
3	108920011	Pillar	32	113020562	Gas return piping
4	108920002	Fan motor bracket	33	101000241	Compressor
5	103000250	Evaporator	34	136020026	Anti-vibration rubber
6	112000033	Fan motor	35	120000098	Gas valve
7	132000001	Fan blade	36	112100046	Low pressure switch
8	108920014	Front panel assembly	37	113030180	4-way valve to exchanger
9	112200136	Evaporator temperature sensor T3	38	113060185	Tube
10	113190007	Sensor holder	39	113090085	Exchanger to Capillary
11	113190001	Clip	40	112200138	Water outlet temp. sensor T2
12	133030011	Wire control box	41	108010025	Exchanger temperature sensor clip
13	117020087	Controller	42	133020026	Rubber ring on water connection
14	113712007	Waterproof box	43	112200133	Water inlet temp. sensor T1
15	108920013	Front panel	44	102050005	Water connection sets
16	108920016	Base tray	45	102050005	Water connection
17	102041042	Titanium heat exchanger	46	133020011	Blue rubber ring
18	110000039	Cable connector	47	133020012	Red rubber ring
19	136020134	Rubber ring	48	112100021	Water flow switch
20	106000011	Pressure gauge	49	108020044	Electric box cover
21	103000250	Evaporator pipe	50	112200064	Transformer
22	103000250	Distribution piping	51	108010008	Capacitor clip
23	108920009	Isolation panel	52	111300013	Compressor capacitor
24	108920012	Side Panel	53	111300002	Fan capacitor
25	108920010	Back panel	54	108920015	Electric box
26	112200141	Ambient temp. sensor T5	55	11220183	PCB
27	133020010	Ambient temp. sensor clip	56	115000060	2-ways terminal block
28	121000035	4 way valve	57	115000002	3-ways terminal block
29	121000036	Four-way valve coil	58	136010004	Clip

Model: FSN-08 / FSN-11



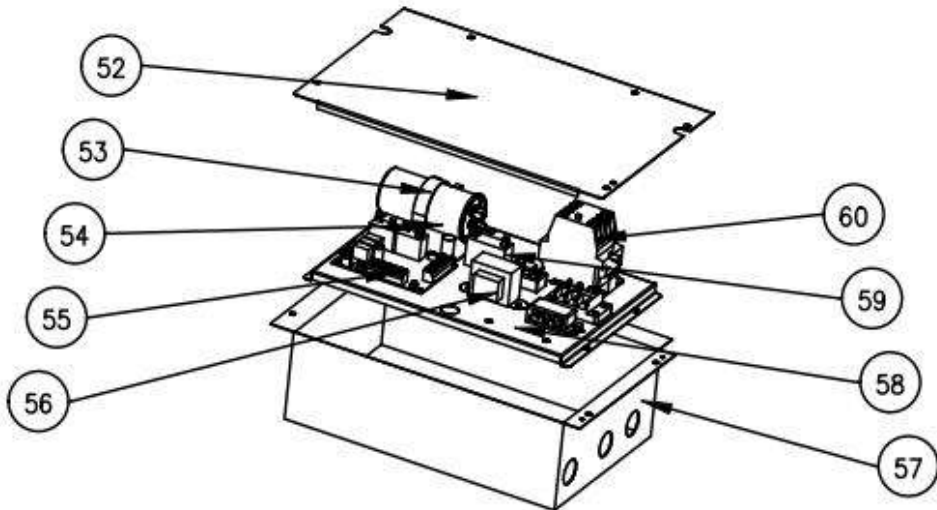
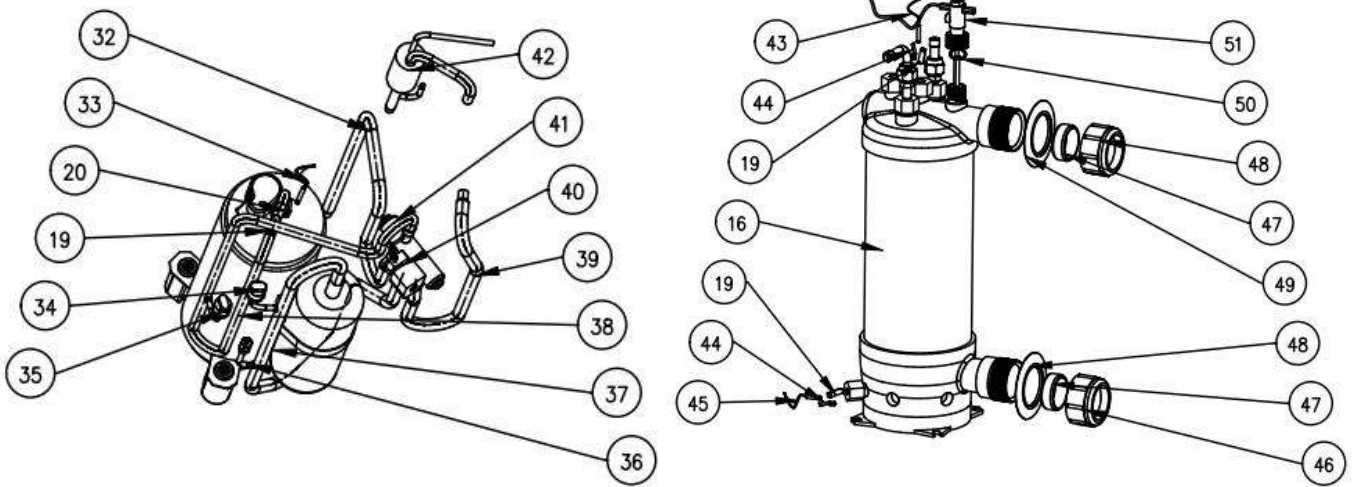
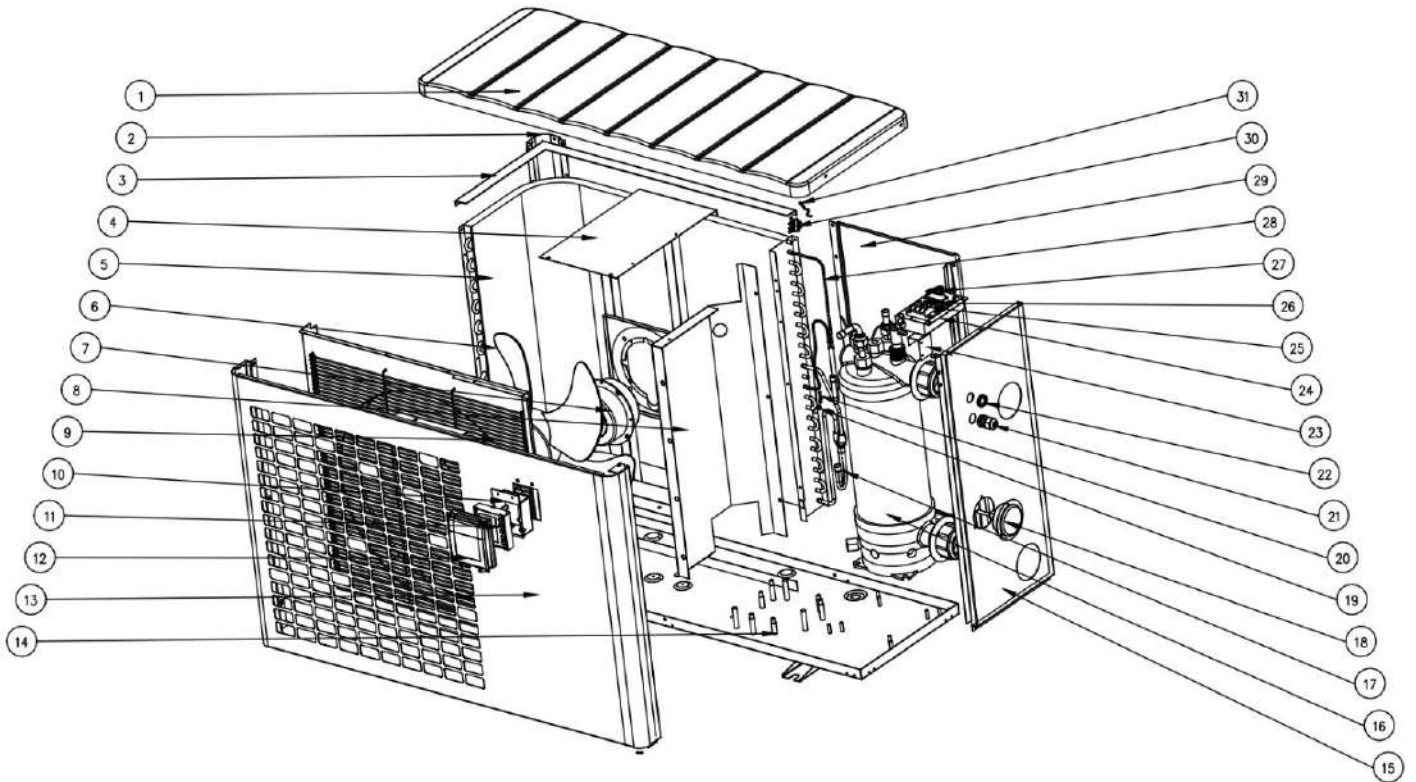
Spare parts list: FSN-08

NO	ERP	Spare parts	NO	ERP	Spare parts
1	133430003	Top cover	30	133020010	Ambient temp. sensor clip
2	108900016	Fan motor bracket support	31	112200141	Ambient temp. sensor T5
3	108900021	Pillar	32	121000034	4 way valve
4	108900011	Fan motor bracket	33	121000037	Four-way valve coil
5	103000311	Evaporator	34	112100046	Low pressure switch
6	108900010	Isolation panel	35	113030168	4-way valve to exchanger
7	108900024	Front panel assembly	36	113030169	4-way valve to exchanger
8	112000069	Fan motor	37	120000097	Gas valve
9	113600007	Fan blade	38	113020528	Gas return piping
10	133030011	Wire control box	39	112100030	High pressure switch
11	117020087	Controller	40	113010379	Discharge pipe
12	113712007	Waterproof box	41	113060174	Tube
13	108900022	Front panel	42	113090090	Exchanger to Capillary
14	102041049	Titanium heat exchanger	43	112200138	Water outlet temp. sensor T2
15	108900001	Base tray	44	108010025	Exchanger temperature sensor clip
16	110000039	Cable connector	45	133020026	Rubber ring on water connection
17	108900023	Side Panel	46	133020012	Red rubber ring
18	106000011	Pressure gauge	47	102050015	Water connection sets
19	103000311	Evaporator pipe	48	133020011	Blue rubber ring
20	103000311	Distribution piping	49	112200133	Water inlet temp. sensor T1
21	113190001	Clip	50	112100021	Water flow switch
22	113190007	Sensor holder	51	108140063	Electric box cover
23	112200136	Evaporator temperature sensor T3	52	111300018	Compressor capacitor
24	108900020	Back panel	53	108010007	Capacitor clip
25	108900017	Wiring box support plate	54	112200064	Transformer
26	108030240	Wiring box	55	108140061	Electric box
27	115000002	3-ways terminal block	56	108140062	Electric box board
28	136010004	Clip	57	111300002	Fan capacitor
29	115000060	2-ways terminal block	58	11220183	PCB

Spare parts list: FSN-11

NO	ERP	Spare parts	NO	ERP	Spare parts
1	133430003	Top cover	30	133020010	Ambient temp. sensor clip
2	108900016	Fan motor bracket support	31	112200141	Ambient temp. sensor T5
3	108900021	Pillar	32	121000034	4 way valve
4	108900011	Fan motor bracket	33	121000037	Four-way valve coil
5	103000310	Evaporator	34	112100046	Low pressure switch
6	108900010	Isolation panel	35	113030168	4-way valve to exchanger
7	108900024	Front panel assembly	36	113030169	4-way valve to exchanger
8	112000069	Fan motor	37	120000097	Gas valve
9	113600007	Fan blade	38	113020525	Gas return piping
10	133030011	Wire control box	39	112100030	High pressure switch
11	117020087	Controller	40	113010377	Discharge pipe
12	113712007	Waterproof box	41	113060173	Tube
13	108900022	Front panel	42	113090090	Exchanger to Capillary
14	102041050	Titanium heat exchanger	43	112200138	Water outlet temp. sensor T2
15	108900001	Base tray	44	108010025	Exchanger temperature sensor clip
16	110000039	Cable connector	45	133020026	Rubber ring on water connection
17	108900023	Side Panel	46	133020012	Red rubber ring
18	106000011	Pressure gauge	47	102050015	Water connection sets
19	103000310	Evaporator pipe	48	133020011	Blue rubber ring
20	103000310	Distribution piping	49	112200133	Water inlet temp. sensor T1
21	113190001	Clip	50	112100021	Water flow switch
22	113190007	Sensor holder	51	108140063	Electric box cover
23	112200136	Evaporator temperature sensor T3	52	111300018	Compressor capacitor
24	108900020	Back panel	53	108010007	Capacitor clip
25	108900017	Wiring box support plate	54	112200064	Transformer
26	108030240	Wiring box	55	108140061	Electric box
27	115000002	3-ways terminal block	56	108140062	Electric box board
28	136010004	Clip	57	111300002	Fan capacitor
29	115000060	2-ways terminal block	58	11220183	PCB

Model: FSN-14 / FSN-17



Spare parts list: FSN-14

NO	ERP	Spare parts	NO	ERP	Spare parts
1	133410002	Top cover	31	112200141	Ambient temp. sensor T5
2	108050132	Pillar	32	113060099	Tube
3	108050208	Fan motor bracket support	33	112200136	Evaporator temperature sensor T3
4	108050212	Fan motor bracket	34	112100030	High pressure switch
5	103000202	Evaporator	35	112100046	Low pressure switch
6	113600010	Fan blade	36	120000097	Gas valve
7	112000070	Fan motor	37	113020591	Gas return piping
8	108050211	Isolation panel	38	113020632	Discharge pipe
9	108050213	Front panel assembly	39	113030098	4-way valve to exchanger
10	133030011	Wire control box	40	121000037	Four-way valve coil
11	117020087	Controller	41	121000028	4 way valve
12	113712007	Waterproof box	42	113090095	Exchanger to Capillary
13	108050214	Front panel	43	112200138	Water outlet temp. sensor T2
14	108050225	Base tray	44	108010025	Exchanger temperature sensor clip
15	108050210	Side Panel	45	112200133	Water inlet temp. sensor T1
16	102041068	Titanium heat exchanger	46	102050005	Water connection
17	103000202	Evaporator pipe	47	102050005	Water connection
18	106000011	Pressure gauge	48	133020011	Blue rubber ring
19	113190001	Clip	49	133020012	Red rubber ring
20	113190007	Sensor holder	50	133020026	Rubber ring on water connection
21	110000039	Cable connector	51	112100021	Water flow switch
22	136020119	Rubber ring	52	108110011	Electric box cover
23	108050215	Wiring box support plate	53	108010007	Capacitor clip
24	108030240	Wiring box	54	111000020	Compressor capacitor
25	115000002	3-ways terminal block	55	11220182	PCB
26	136010004	Clip	56	112200064	Transformer
27	115000060	2-ways terminal block	57	108050192	Electric box
28	103000202	Distribution piping	58	108050193	Electric box board
29	108050195	Back panel	59	111000006	Fan capacitor
30	133020010	Ambient temp. sensor clip	60	104000001	AC contactor

Spare parts list: FSN-17

NO	ERP	Spare parts	NO	ERP	Spare parts
1	133410002	Top cover	31	112200141	Ambient temp. sensor T5
2	108050132	Pillar	32	113060099	Tube
3	108050208	Fan motor bracket support	33	112200136	Evaporator temperature sensor T3
4	108050212	Fan motor bracket	34	112100030	High pressure switch
5	103000202	Evaporator	35	112100046	Low pressure switch
6	113600010	Fan blade	36	120000097	Gas valve
7	112000070	Fan motor	37	113020591	Gas return piping
8	108050211	Isolation panel	38	113020632	Discharge pipe
9	108050213	Front panel assembly	39	113030098	4-way valve to exchanger
10	133030011	Wire control box	40	121000037	Four-way valve coil
11	117020087	Controller	41	121000028	4 way valve
12	113712007	Waterproof box	42	113090095	Exchanger to Capillary
13	108050214	Front panel	43	112200138	Water outlet temp. sensor T2
14	108050225	Base tray	44	108010025	Exchanger temperature sensor clip
15	108050210	Side Panel	45	112200133	Water inlet temp. sensor T1
16	102041068	Titanium heat exchanger	46	102050005	Water connection
17	103000202	Evaporator pipe	47	102050005	Water connection
18	106000011	Pressure gauge	48	133020011	Blue rubber ring
19	113190001	Clip	49	133020012	Red rubber ring
20	113190007	Sensor holder	50	133020026	Rubber ring on water connection
21	110000039	Cable connector	51	112100021	Water flow switch
22	136020119	Rubber ring	52	108110011	Electric box cover
23	108050215	Wiring box support plate	53	108010007	Capacitor clip
24	108030240	Wiring box	54	111000020	Compressor capacitor
25	115000002	3-ways terminal block	55	11220182	PCB
26	136010004	Clip	56	112200064	Transformer
27	115000060	2-ways terminal block	57	108050192	Electric box
28	103000202	Distribution piping	58	108050193	Electric box board
29	108050195	Back panel	59	111000006	Fan capacitor
30	133020010	Ambient temp. sensor clip	60	104000001	AC contactor

9. Maintenance

Warning !

-Before any maintenance work on the appliance, you must cut the electricity supply as there is a risk of electric shock which may cause material damage, serious injury or even death.

- It is recommended that the appliance undergo general servicing at least on a yearly basis to ensure its proper operation, maintain performance levels and prevent any possible failures. These operations are carried out at the user's expense, by a qualified technician. For maintenance to be carried out by a qualified technician.

-for maintenance to be carried out by a qualified technician, please read the safety instructions in the previous pages provided in the chapter entitled "maintenance: warnings concerning appliances containing R32 refrigerant" before performing any of the maintenance operations described below.

(1) You should check the water supply system regularly to avoid the air entering the system and occurrence of low water flow, because it would reduce the performance and reliability of HP unit.

(2) Clean your pools and filtration system regularly to avoid the damage of the unit as a result of the dirty or clogged filter.

(3) In another way, you should check the unit is water fully before the unit starts to run again.

(4) After the unit is conditioned for the winter season, it's recommended to cover the heat pump with special winter cover.

(5) When the unit is running, there is all the time a little water discharge under the unit.




(6) R32 pressure and temperature mapping table

Condition	Power OFF			
Ambient Temperature	-5- 5 °C	5-15 °C	15-25 °C	25-35 °C
Water temperature	/	/	/	/
Pressure gauge reading	0.68-0.93 MPa	0.93-1.25 MPa	1.25-1.64 MPa	1.64-2.1 MPa

Condition	Running (Heating)				
Ambient Temperature	/	/	/	/	/
Water temperature	10-15 °C	15-20 °C	20-25 °C	25-30 °C	30-35 °C
Pressure gauge reading	1.3-1.8 MPa	1.5-1.9 MPa	1.6-2.3 MPa	1.9-2.8 MPa	2.1-3.5 MPa

(7) Please always empty the water in heat pump during winter time or when the ambient temperature drops below 0 °C, or else the Titanium exchanger will be damaged because of being frozen, in such case, your warranty will be lost.

ADVERTENCIAS

	<p>Este símbolo indica que hay más información disponible en el Manual de usuario o en el Manual de instalación.</p>		<p>Este símbolo indica que el aparato utiliza R32, un refrigerante con baja velocidad de combustión.</p>
	<p>Este símbolo indica que hay que leer con atención el Manual de usuario.</p>		<p>Este símbolo indica que el técnico de mantenimiento debe manipular el equipo de acuerdo con el Manual de usuario.</p>

ADVERTENCIAS GENERALES

- El incumplimiento de las advertencias podría deteriorar el equipo de la piscina o provocar heridas graves, incluso la muerte.
- Solo una persona cualificada en los ámbitos técnicos concernidos (electricidad, hidráulico o frigorífico) está habilitada para realizar tareas de mantenimiento o de reparación de este aparato. El técnico cualificado que intervenga sobre el aparato deberá utilizar/llevar un equipo de protección individual adecuado (gafas de seguridad, guantes, etc.) para reducir el riesgo de lesiones que pudieran producirse durante dicha intervención.
- Antes de realizar cualquier intervención en el aparato, asegúrese de que está apagado y desconectado de la red eléctrica.
- Este aparato no debe ser utilizado por personas (incluidos niños mayores de 8 años) con una discapacidad física, sensorial o mental o que no dispongan de la experiencia y el conocimiento adecuados, salvo si se utiliza bajo la supervisión o las instrucciones de una persona responsable de su seguridad y si conocen los riesgos a los que se exponen.
- Los niños deben estar vigilados en todo momento para asegurarse de que no jueguen con el aparato.
- La instalación del aparato debe ser realizada de acuerdo con las instrucciones del fabricante y cumpliendo las normas locales vigentes. El instalador es responsable de la instalación del aparato y del cumplimiento de las normativas nacionales de instalación. En ningún caso el fabricante será responsable del incumplimiento de las normas de instalación locales en vigor.
- Para cualquier acción que no se corresponda con el mantenimiento simple a cargo del usuario descrito en el presente manual, se deberá recurrir a un técnico cualificado.
- Una instalación y/o un uso incorrectos pueden ocasionar daños materiales o provocar lesiones corporales graves, incluso la muerte.
- En caso de mal funcionamiento del equipo: no intente repararlo usted mismo y contacte con un técnico cualificado.
- Cualquier desactivación, la eliminación o elusión de uno de los elementos de seguridad incluidos en el aparato anulará automáticamente la garantía, así como el uso de piezas de recambio no originales, procedentes de fabricantes no autorizados.
- No pulverice insecticida ni ningún otro producto químico (inflamable o no inflamable) sobre el aparato, ya que podría deteriorar la carrocería y provocar un incendio.
- No toque el ventilador ni las piezas móviles y no introduzca ninguna varilla ni los dedos a través de la rejilla durante el funcionamiento del mismo. Las piezas móviles pueden provocar lesiones e incluso la muerte.
- Mantenga el controlador de pantalla en un lugar seco o cierre bien la cubierta de aislamiento para proteger el controlador de pantalla de los daños causados por la humedad.

AVERTISSEMENTS LIÉS À DES APPAREILS ÉLECTRIQUES

- La alimentación eléctrica del aparato se debe proteger mediante un dispositivo de corriente diferencial residual (DDR) de 30 mA, de acuerdo con las normas vigentes en el país de instalación.

- No utilice alargaderas para conectar el aparato a la red eléctrica; conéctelo directamente a un enchufe mural adaptado.

- Antes de cualquier operación, compruebe que:

La tensión indicada en el aparato corresponde con la de la red.

La red de alimentación eléctrica es adecuada para el uso del aparato y cuenta con una toma de tierra.

El enchufe se adapta a la toma de corriente.

- No desconecte y vuelva a conectar el aparato en funcionamiento.
- No tire del cable de alimentación para desenchufarlo.
- Si el cable de alimentación está deteriorado, deberá ser reemplazado por el fabricante, su agente de mantenimiento o un técnico cualificado para evitar eventuales riesgos.
- No realice ninguna intervención de limpieza o de mantenimiento del aparato con las manos mojadas o si el aparato está húmedo.
- Antes de conectar la unidad a la fuente de alimentación, verifique que el bloque de terminales o la toma de corriente a la que se conectará la unidad estén en buenas condiciones y no estén dañados ni oxidados.
- En caso de tormenta, desconecte el aparato de la red para evitar que sea dañado por un rayo.
- No sumerja el aparato en agua ni en barro ;

ADVERTENCIAS RELACIONADAS CON LOS APARATOS QUE CONTIENEN REFRIGERANTE R32

- Este aparato contiene refrigerante R32, de categoría A2L y potencialmente inflamable.
- No descargar el fluido R32 en la atmósfera, ya que es un gas fluorado de efecto invernadero, cubierto por el protocolo de Kioto, con potencial de calentamiento global (GWP) = 675 (ver directiva europea UE 517/2014).
- El aparato se debe almacenar en un lugar bien ventilado, lejos de cualquier fuente de llama.
- Instale el aparato en el exterior. No instale el aparato en el interior ni en un lugar cerrado y sin ventilación natural.
- No emplee métodos de aceleración del proceso de deshielo o de limpieza no recomendados por el fabricante.
- El aparato se debe almacenar en un lugar alejado de toda fuente constante de ignición (p. ej.: llamas abiertas, aparato de gas encendido o calefacción eléctrica encendida).
- No perforar ni incinerar el aparato.
- El refrigerante R32 puede soltar cierto olor.
- Para cumplir con las normas y los reglamentos en materia ambiental y de instalación, en concreto el Decreto n.º 2015-1790 y/o el Reglamento UE 517/2014, se debe realizar una prueba de fugas en el circuito de refrigeración al menos una vez al año. Esta operación debe ser realizada por un especialista certificado en aparatos de refrigeración.
- Mantenga el controlador de pantalla en un lugar seco o cierre bien la cubierta de aislamiento para proteger el controlador de pantalla de daños por la humedad.

MANTENIMIENTO: ADVERTENCIAS RELACIONADAS CON LOS APARATOS QUE CONTIENEN REFRIGERANTE R32

- Durante la limpieza del aparato, hay que controlar la composición y el estado del fluido térmico, así como la ausencia de restos de refrigerante.
- Durante el control anual de estanqueidad del aparato, según la normativa vigente, se debe comprobar que los presostatos de alta y baja presión están bien conectados al circuito frigorífico y que cortan el circuito eléctrico en caso de dispararse.
- Durante el mantenimiento, compruebe que no hay restos de corrosión ni manchas de aceite alrededor de los componentes refrigerantes.
- No suelde ni suelde la tubería si hay refrigerante dentro de la máquina. No cargue el gas cuando se encuentre en un espacio confinado.

Verificación de la zona

- Antes de comenzar a trabajar en sistemas que contienen refrigerantes inflamables, es necesario realizar controles de seguridad para reducir el riesgo de ignición.

Protocolo de trabajo

- El trabajo se debe realizar siguiendo un protocolo controlado para reducir el riesgo de liberación de gases o vapores inflamables durante el trabajo.

- Antes de cualquier intervención en el circuito refrigerante, hay que parar obligatoriamente el aparato y esperar unos minutos antes de colocar los sensores de temperatura o de presión; algunos equipos, como el compresor y las tuberías, pueden alcanzar temperaturas superiores a 100°C y presiones elevadas que pueden provocar quemaduras graves.

Zona general de trabajo

- Todo el personal de mantenimiento y el resto de personas que trabajan en la zona aledaña deberán ser informados del trabajo realizado. Se debe evitar trabajar en espacios confinados.

Verificación de la presencia de refrigerante

- El área debe ser revisada por un detector de refrigerante apropiado antes y durante los trabajos para poder informar al técnico de la presencia de una atmósfera potencialmente tóxica o inflamable. Asegúrese de que el equipo de detección de fugas utilizado se adapte al uso de todos los refrigerantes concernidos, es decir, que no pueda provocar chispas, esté bien aislado o sea totalmente seguro.

Presencia de un extintor

- Para toda intervención en el equipo de refrigeración o en cualquier componente que requiera cierta temperatura, habrá que tener siempre a mano un equipo de extinción de incendios apropiado. Instale un extintor de polvo o CO2 cerca de la zona de trabajo.

Ausencia de fuente de ignición

- Toda persona que intervenga en un sistema de refrigeración y tenga que poner al descubierto los tubos deberá evitar el uso de fuentes de ignición que puedan suponer un riesgo de incendio o de explosión. Todas las fuentes de ignición, incluido un cigarrillo, deben mantenerse a una distancia segura de la zona de instalación, reparación, extracción o eliminación cuando el refrigerante pueda llegar a ser liberado en el área aledaña. Antes de realizar cualquier intervención, hay que examinar el área circundante al equipo para asegurarse de que no haya peligro de incendios o chispas. Se deben colocar carteles de "Prohibido fumar".

Ventilación de la zona

- Antes de acceder para cualquier tarea de mantenimiento, asegúrese de que la zona esté abierta y bien ventilada. Se debe mantener una ventilación adecuada que permita la dispersión segura de cualquier refrigerante eventualmente liberado a la atmósfera durante las tareas de mantenimiento del aparato.

Verificación del equipo de refrigeración

- Se deben seguir siempre las recomendaciones de mantenimiento y de limpieza del fabricante. Cuando reemplace componentes eléctricos, asegúrese de usar solo componentes del mismo tipo y categoría que estén recomendados o autorizados por el fabricante. En caso de duda, consulte con el servicio técnico del fabricante.
- En instalaciones que utilizan refrigerantes inflamables se deben realizar las siguientes verificaciones: las marcas en el equipo deben permanecer visibles y legibles y hay que corregir toda marca o señal ilegible los tubos o componentes del circuito frigorífico se suelen colocar en lugares poco expuestos a sustancias que puedan corroer los componentes que contienen refrigerante, salvo si los componentes están fabricados con materiales resistentes a la corrosión o adecuadamente protegidos contra la corrosión.

Verificación de los componentes eléctricos

- La reparación y el mantenimiento de componentes eléctricos deben incluir controles de seguridad iniciales y procedimientos de inspección de los componentes. En caso de fallo susceptible de comprometer la seguridad, no se debe conectar una fuente de alimentación al circuito hasta la resolución total del problema. Si no se puede subsanar dicho fallo de inmediato, pero hay que proseguir con el trabajo, se deberá hallar una solución temporal apropiada y comunicar al propietario del equipo esta situación para que todos los interesados sean informados de ello.
- La reparación y el mantenimiento de componentes eléctricos deben incluir los siguientes controles de seguridad iniciales:
 - condensadores descargados: hacerlo de manera segura para evitar cualquier riesgo de ignición
 - no exponer ningún componente eléctrico ni cableado eléctrico durante la carga, la reparación o la purga del sistema mantener en todo momento la conexión a tierra.

Reparación de los componentes aislados

- Para las reparaciones de componentes aislados, todas las fuentes de alimentación eléctrica se deben desconectar del equipo intervenido antes de retirar la cubierta, etc. Si el equipo debe seguir conectado a la red eléctrica durante el mantenimiento, habrá que instalar un detector de fugas que funcione permanentemente en el punto más crítico para que informe de cualquier situación potencialmente peligrosa.
- Para garantizar que al trabajar con componentes eléctricos la caja no se vea afectada y se reduzca el nivel de protección, se debe prestar especial atención a los siguientes puntos: cables dañados, número excesivo de conexiones, terminales que no cumplen con los requisitos originales, juntas deterioradas, instalación incorrecta de los prensaestopas, etc.
- Compruebe que el aparato esté correctamente fijado.
- Asegúrese de que las juntas o los materiales aislantes no se hayan deteriorado hasta el punto de que no puedan proteger el circuito ante una concentración de atmósfera inflamable. Las piezas de repuesto deben cumplir siempre con las especificaciones del fabricante.

Reparación de componentes intrínsecamente seguros

- No aplique ninguna carga por inducción o eléctrica continua al circuito sin antes haberse asegurado de que no exceda el voltaje y la intensidad permitidos para el equipo en cuestión.
- Los componentes normalmente seguros son los únicos en los que se puede trabajar si están bajo tensión en presencia de una atmósfera inflamable. El aparato de prueba debe ser de la clase apropiada. Reemplace los componentes solo con piezas especificadas por el fabricante. De lo contrario, otras piezas podrían encender el refrigerante en la atmósfera en caso de fugas.

Cableado

- Verifique que el cableado no presente desgaste, corrosión o esté expuesto a presión excesiva, vibración, bordes cortantes u otros efectos ambientales adversos. Se debe controlar asimismo los efectos del envejecimiento o de las vibraciones continuas causadas por fuentes como compresores o ventiladores.

Detección de fluido refrigerante inflamable

- No se deben utilizar en ningún caso fuentes potenciales de ignición para la búsqueda o detección de fugas de refrigerante. No se deben utilizar lámparas de haluro ni cualquier otro detector de llama abierta.
- Los siguientes métodos de detección de fugas se consideran aceptables para todos los sistemas de refrigeración.
- Se pueden emplear detectores electrónicos de fugas para detectar fugas de refrigerante. No obstante, en el caso de refrigerantes inflamables, la sensibilidad puede no ser adecuada o puede requerir un reajuste. (El equipo de detección se debe calibrar en un lugar libre de cualquier refrigerante). Asegúrese de que el detector no sea una fuente potencial de ignición y que sea adecuado para el refrigerante utilizado. El equipo de detección de fugas se debe ajustar a un porcentaje del LFL del refrigerante y se debe calibrar en función del refrigerante empleado. Se debe confirmar el porcentaje de gas apropiado (25 % máximo).
- Los fluidos de detección de fugas también se adaptan para la mayoría de los refrigerantes, pero hay que evitar utilizar detergentes que contengan cloro, ya que pueden reaccionar con el refrigerante y corroer los tubos de cobre.
- En caso de sospecha de fuga, habrá que eliminar o extinguir todas las llamas desnudas.
- Si se detecta una fuga de refrigerante y se requiere una intervención de soldadura, habrá que retirar todo el refrigerante del sistema o aislarlo (mediante las válvulas de cierre) en una parte del sistema alejado de dicha fuga.

Retirada y evacuación

- Para acceder al circuito de refrigerante en caso de reparaciones o por cualquier otro motivo, hay que seguir los procedimientos estandarizados. Sin embargo, para refrigerantes inflamables se deben respetar escrupulosamente las recomendaciones específicas, a saber:

retirar el refrigerante

purgar el circuito con un gas inerte (opcional para A2L)

evacuar (opcional para A2L)

purgar con un gas inerte (opcional para A2L)

abrir el circuito mediante corte o soldadura.

- El refrigerante se debe recuperar en las botellas de recuperación apropiadas. Para los aparatos que contienen refrigerantes inflamables que no sean refrigerantes A2L, el sistema se debe purgar con nitrógeno sin oxígeno para adecuar el aparato a refrigerantes inflamables. Puede ser necesario repetir este proceso varias veces. No se debe usar aire comprimido ni oxígeno para purgar los sistemas de refrigeración.

Protocolo de carga

- Asegúrese de que la salida de la bomba de vacío no esté cerca de ninguna fuente potencial de ignición y que haya una ventilación adecuada.
- Además de los procedimientos de carga habituales, se deben respetar los siguientes requisitos:
- Asegúrese de que no haya posibilidad alguna de contaminación entre diferentes refrigerantes al usar un equipo de carga. Las mangueras o líneas deben ser lo más cortas posible para reducir la cantidad de refrigerante que contienen.
- Las botellas deben mantenerse en una posición adecuada según las instrucciones.
- Asegúrese de que el sistema de refrigeración esté conectado a tierra antes de cargarlo con refrigerante.
- Etiquete el sistema una vez cargarlo (si no se ha hecho antes).
- Tenga mucho cuidado de no llenar en exceso el sistema de refrigeración.
- Antes de volver a cargar el sistema, hay que realizar una prueba de presión con el gas de purga adecuado. Se debe examinar el sistema para detectar fugas al final de cada carga, pero antes de la puesta en marcha. Antes de abandonar la instalación, hay que realizar una prueba de control de fugas.

Desmantelamiento

- Antes de cualquier desmantelamiento, es fundamental que el técnico esté familiarizado con el equipo y sus características. Se recomienda en particular recuperar todos los refrigerantes. Antes de llevar a cabo esta tarea, hay que recuperar una muestra de aceite y de refrigerante para eventuales pruebas necesarias antes de emplear el refrigerante recuperado. Antes de comenzar la tarea, es fundamental verificar la presencia de alimentación eléctrica.

1. Familiarícese con el equipo y su funcionamiento.
2. Aísle eléctricamente el sistema.
3. Antes de comenzar, asegúrese de que:

el equipo de manipulación mecánica esté disponible (en caso necesario) para mover las botellas de refrigerante

todo el equipo de protección individual esté disponible y se use correctamente

el proceso de recuperación esté supervisado en todo momento por una persona cualificada

el equipo y las botellas de recuperación cumplan con las normas aplicables en vigor.

4. Evacúe el sistema de refrigeración si es posible.
5. Si no se puede crear vacío, instale un colector para retirar el refrigerante desde varios lugares del sistema.
6. Asegúrese de que la botella esté bien colocada en la balanza antes de comenzar la recuperación de refrigerante.
7. Ponga en marcha la máquina de recuperación y utilícela siguiendo las instrucciones.
8. No cargue en exceso las botellas (no más del 80 % del volumen de carga líquida).
9. No supere la presión máxima de trabajo de la botella, ni siquiera temporalmente.
10. Una vez las botellas correctamente llenadas y el proceso completado, asegúrese de que se retiren rápidamente las botellas y el equipo de la instalación y que las válvulas de aislamiento alternativas en el equipo estén cerradas.
11. El refrigerante recuperado no se debe utilizar en otro sistema de refrigeración a menos que haya sido limpiado y verificado.

REPARACIÓN

- Todas las intervenciones de soldadura deberán ser realizadas por soldadores cualificados.
- La sustitución de tuberías solo se debe realizar con tubo de cobre según la norma francesa NF EN 12735-1.
- Detección de fugas, como en el caso de la prueba bajo presión:
no utilice nunca oxígeno ni aire seco, debido al riesgo de incendio o de explosión,
utilice nitrógeno deshidratado o una mezcla de nitrógeno y de refrigerante indicada en la placa descriptiva,
si el aparato dispone de un manómetro, al medir la presión, la alta no debe superar los 42 bares.

- Para las tuberías del circuito de alta presión realizadas con tubo de cobre con un diámetro \leq o $>$ a 1''5/8, debe pedir al proveedor un certificado §2.1 según la norma francesa NF EN 10204 e incluirlo en el informe técnico de la instalación.
- En la placa descriptiva figura la información técnica relativa a las exigencias de seguridad de las distintas directivas aplicadas. Toda esta información debe figurar en las instrucciones de instalación del aparato, incluida en el informe técnico de la instalación: modelo, código número de serie, TS máx. y mín., PS, año de fabricación, marcado CE, dirección del fabricante, refrigerante y peso, parámetros eléctricos, rendimiento termodinámico y acústico.

ETIQUETADO

- El equipo debe estar etiquetado, con la indicación de haber sido desarmado y vaciado de todo el refrigerante.
- La etiqueta debe incluir fecha y firma.
- Para los aparatos que tienen un refrigerante inflamable, asegúrese de que las etiquetas estén pegadas al equipo y que indiquen la presencia de un refrigerante inflamable.

RECUPERACIÓN

- Al vaciar el refrigerante para tareas de mantenimiento o para el desmantelamiento del equipo, conviene seguir las mejores prácticas para vaciar todo el refrigerante de manera segura.
- Al transferir el refrigerante a una botella, asegúrese de emplear una botella de recuperación adaptada a dicho refrigerante. Asegúrese de tener la cantidad correcta de botellas para recuperar todo el líquido. Todas las botellas que se vayan a utilizar deben estar diseñadas para la recuperación de refrigerante y deben estar etiquetadas para ese refrigerante concreto. Las botellas deben llevar una válvula de vacío y válvulas de cierre en buen estado. Las botellas de recuperación vacías se deben evacuar y, si es posible, enfriar antes de la recuperación.
- El equipo de recuperación debe funcionar correctamente, las instrucciones del equipo deben permanecer siempre al alcance del personal y el equipo debe ser el adecuado para el refrigerante en cuestión, incluido, cuando corresponda, el refrigerante inflamable. Además, hay que disponer de un conjunto de balanzas bien calibradas y en buen estado de funcionamiento. Los tubos deben estar completos, sin fugas ni racores desconectados y en buen estado. Antes de utilizar la máquina de recuperación, verifique que esté en buenas condiciones de funcionamiento, que se haya mantenido adecuadamente y que los componentes eléctricos asociados estén sellados para evitar cualquier riesgo de ignición cuando se libera refrigerante. En caso de duda, consulte con el fabricante.
- El refrigerante recuperado se debe devolver al proveedor de refrigerante en su botella de recuperación, junto con una nota de transferencia de residuos. No mezcle distintos refrigerantes en los recipientes de recuperación, sobre todo en las botellas.
- Si se quita el compresor o se purga el aceite del compresor, verifique que se haya vaciado por completo el refrigerante para evitar la mezcla con lubricante. El proceso de vaciado debe realizarse antes de devolver el compresor al proveedor. Solo el calentador eléctrico del cuerpo del compresor se puede emplear para acelerar este proceso. La purga de todos los líquidos de un sistema se debe llevar a cabo de manera segura.



Reciclaje

Este símbolo requerido por la directiva europea RAEE 2012/19/UE (directiva sobre residuos de aparatos eléctricos y electrónicos) significa que no debe tirar a la basura el aparato. Hay que depositarlo en un contenedor adaptado de recogida selectiva para su reutilización, reciclaje o recuperación. Si contiene sustancias potencialmente peligrosas para el medio ambiente, estas deberán ser eliminadas o neutralizadas. Consulte con su distribuidor las modalidades de reciclaje.

FSN ON/OFF -5°C

Manual de usuario y servicio

ÍNDICE

1. Especificaciones
2. Dimensión
3. Instalación y conexión
4. Accesorios
5. Cableado eléctrico
6. Operazione
7. Mal funcionamiento y solución de problemas
8. Diagrama Explosionado
9. Mantenimiento

Gracias por usar nuestra bomba de calor para calentar la piscina, calentará el agua de la piscina y mantendrá la temperatura constante cuando la temperatura ambiente del aire esté entre -5 y 43 °C. Este manual contiene toda la información necesaria.



ATENCIÓN: Este manual incluye toda la información necesaria para el uso e instalación de su bomba de calor.

El instalador debe leer el manual y seguir atentamente las instrucciones de implementación y mantenimiento. Conserve este manual para más adelante durante la vida útil del aparato.

El instalador es responsable de la instalación del producto y debe seguir todas las instrucciones del fabricante y las regulaciones en aplicación. La instalación incorrecta contra el manual implica la exclusión de toda la garantía.

El fabricante declina cualquier responsabilidad por los daños causados a las personas, objetos y de los errores debidos a la instalación que desobedezcan las pautas del manual. Cualquier uso que no sea conforme al origen de su fabricación será considerado peligroso.

1. Especificaciones

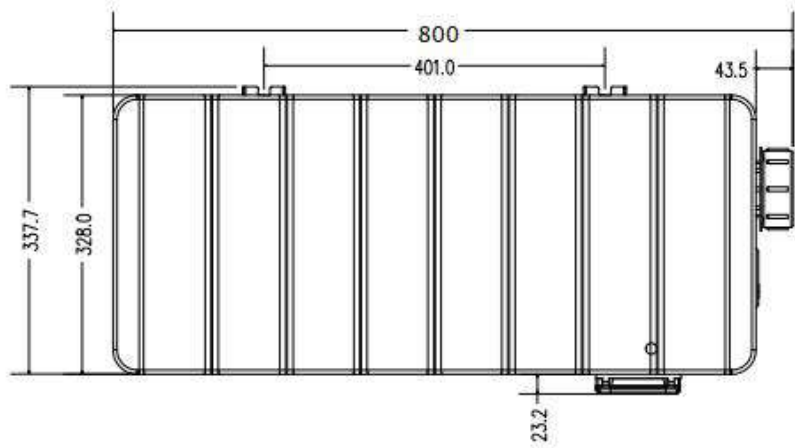
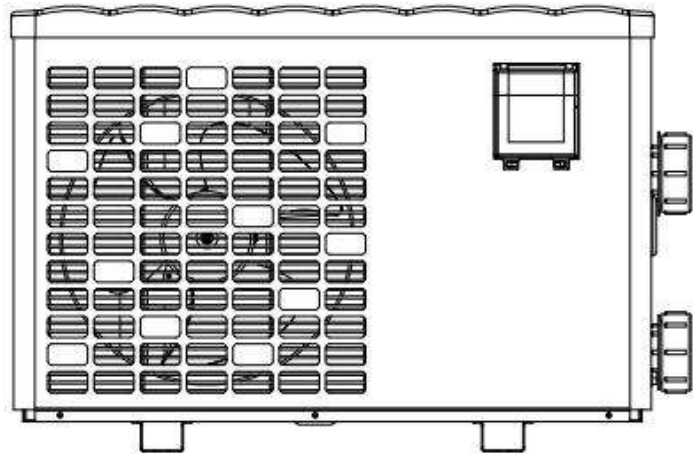
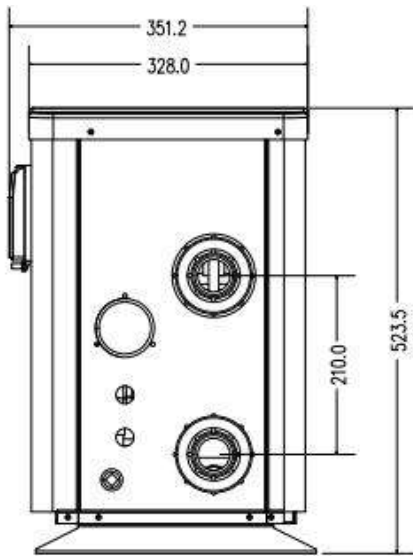
1.1 Datos técnicos

Modelos		74143	74144	74145	74146	74147
Código		FSN-05	FSN-08	FSN-11	FSN-14	FSN-17
* Capacidad de aire 28°C / agua 28°C ,Humedad 80%						
Potencia de calentamiento	kW	5	7.5	11	14	16.5
Consumo de potencia	kW	1	1.4	2.2	2.6	2.9
C.O.P.		5	5.4	5	5.4	5.7
* Capacidad de aire 15°C / agua 27°C ,Humedad 70%						
Potencia de calentamiento	kW	3.5	5.5	7.5	9.5	11.5
Consumo de potencia	kW	0.9	1.3	1.8	2.3	2.50
C.O.P.		4	4.4	4.3	4.2	4.6
* General data						
Compresor		Rotativo				
Voltaje	V	220-240V/50Hz/1PH				
Corriente Nominal (Input)	A	4.3	6.0	9.4	11.1	12.8
Fusible Recomendado	A	12	17	26	31	35
Flujo de agua recomendado	m ³ /h	2.5~3.2	2.5~3.7	3.5~7.1	4~7.9	4.6~9.3
Caída de presión del agua	Kpa	12	12	15	15	15
Condensador		Tubo Twist-Titanium en PVCC				
Especificaciones de los tubos de entrada-salida del agua	mm	50				
Cantidad de ventiladores		1				
Tipo de ventilacion		Horizontal				
Nivel de ruido en los 10m	dB(A)	31	32	35	37	37
Nivel de ruido a 1m	dB(A)	49	50	52	54	54
Refrigerante R32 (g)	g	400	550	950	1000	1000
Equivalente de CO2	Tonne	0.27	0.37	0.64	0.68	0.68
* Dimension/Weight						
Peso neto	Kg	38	48	54	72	76
Peso bruto	Kg	40	50	56	76	84
Dimensión neta	mm	800*360.9*523.5	977.6*396.2*571.5		1102.3*432.7*703.7	
Dimensión de embalaje	mm	875*385*560	1055*420*605		1125*490*728	

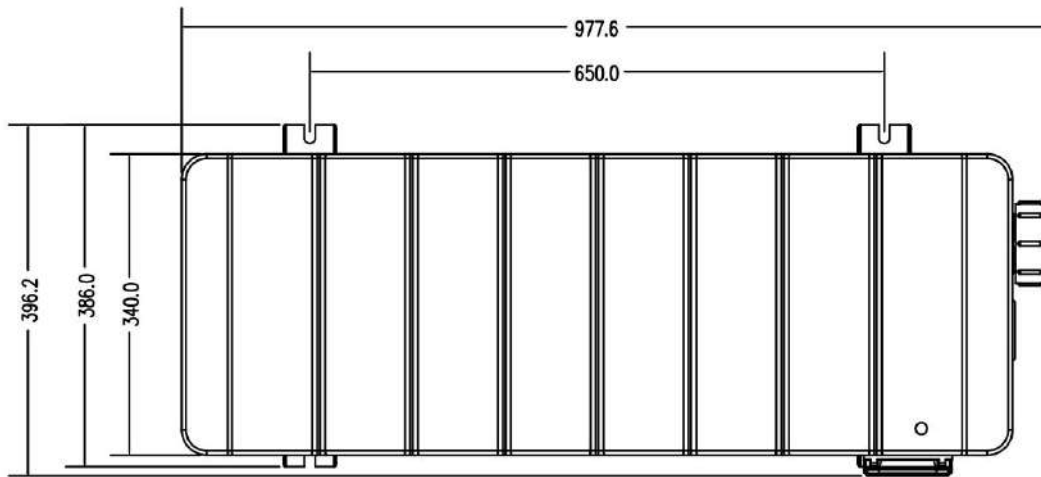
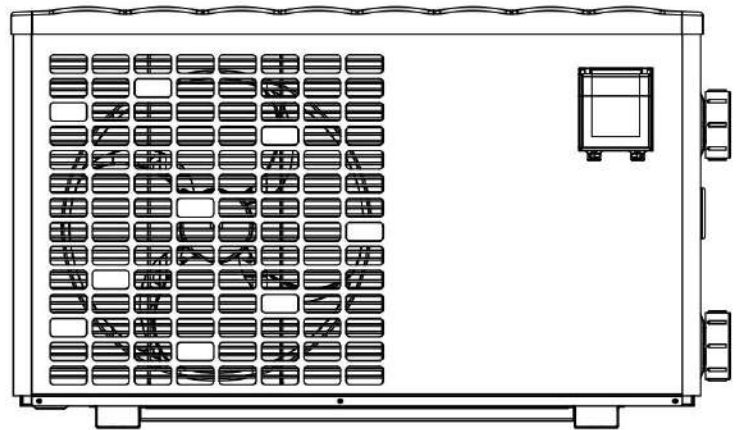
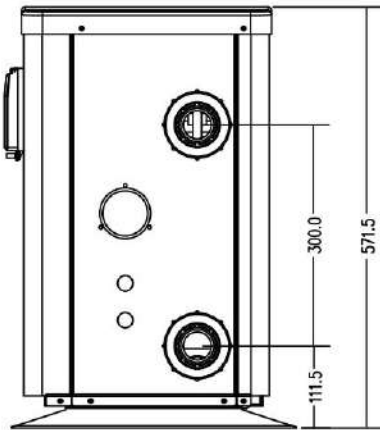
* La información anteriormente nombrada está sujeta a modificaciones sin previo aviso.

2. Dimensiones (mm)

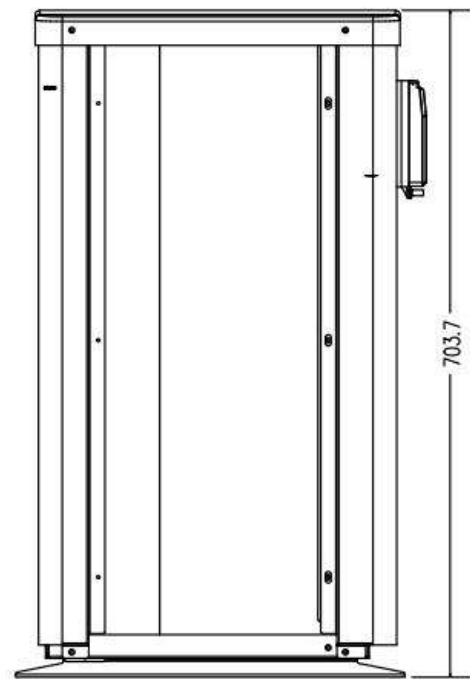
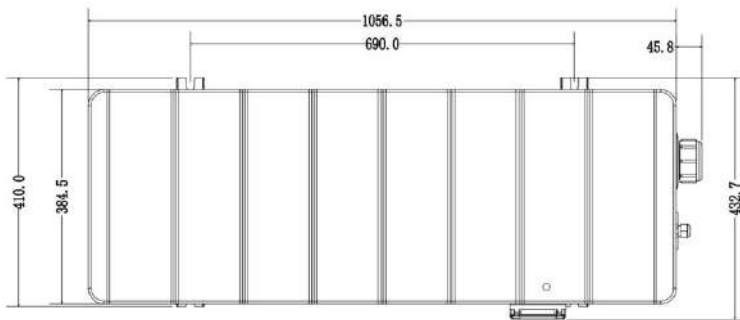
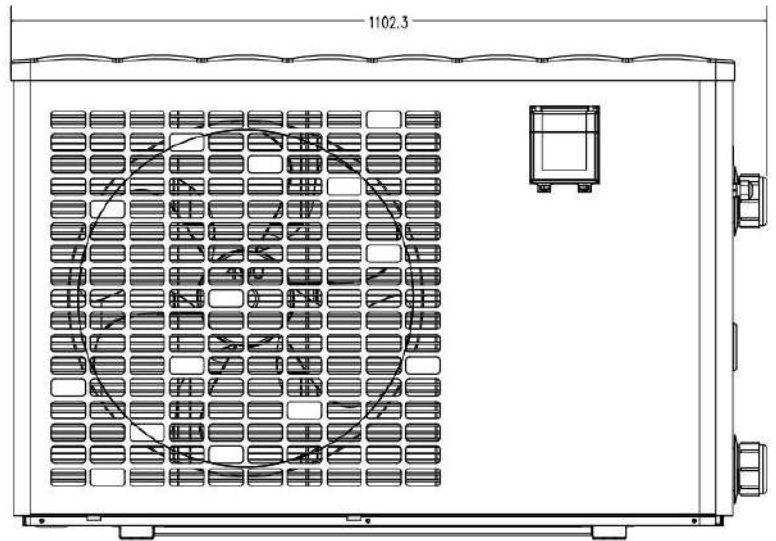
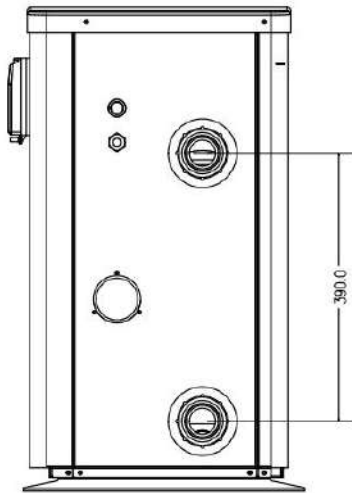
Modelos :FSN-05



Modelos :FSN-08 & FSN-11



Modelos :FSN-14 & FSN-17



3. Instalación y conexión

3.1 NOTA:

La fábrica sólo proporciona la unidad de la bomba de calor. Los otros elementos que se muestran en la ilustración son las partes necesarias de repuesto para el sistema de agua que son suministrados por los usuarios o las personas que hacen la instalación.

Atención:

Observe las siguientes reglas cuando instale la bomba de calor:

1. Cualquier adición de productos químicos debe tener lugar en la tubería situada **aguas abajo** de la bomba de calor.
2. Instale un bypass si el flujo de agua de la bomba de la piscina es más del 20% mayor que el flujo permitido a través del intercambiador de calor de la bomba de calor.
3. Instale la bomba de calor por encima del nivel de agua de la piscina.
4. Siempre coloque la bomba de calor sobre una base sólida y utilice los soportes de goma incluidos para evitar la vibración y el ruido.
5. Sostenga siempre la bomba de calor en posición vertical. Si la unidad se ha mantenido en ángulo, espere al menos 24 horas antes de encender la bomba de calor.

3.2 Ubicación de la bomba de calor

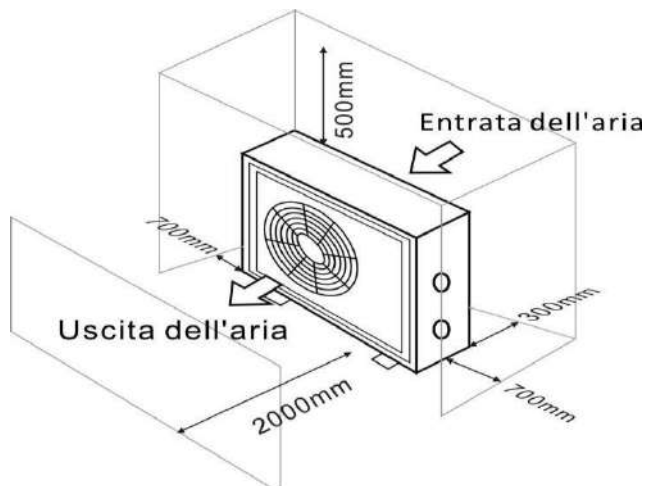
La unidad funcionará correctamente en cualquier ubicación deseada, siempre que estén presentes los siguientes tres elementos:

1. Aire fresco - 2. Electricidad - 3. Filtros de piscina

La unidad puede instalarse prácticamente en cualquier lugar exterior siempre que se mantengan las distancias mínimas especificadas a otros objetos (véase el dibujo a continuación). Por favor, consulte a su instalador para la instalación con una piscina cubierta. La instalación en un lugar ventoso no presenta ningún problema en absoluto, a diferencia de la situación con un calentador de gas (incluyendo problemas de llama piloto).

ATENCIÓN: La unidad no debe instalarse en una zona de aire de ventilación limitada, ni colocarse en un arbusto, en los que bloquearán la entrada de aire. Estas ubicaciones provocan que la unidad pueda recibir una fuente continua de aire fresco. Al cambio de las estaciones, también puede colmatarse las hojas de los árboles en la bobina del evaporador, lo que reducirá su eficiencia y afectará en su vida útil.

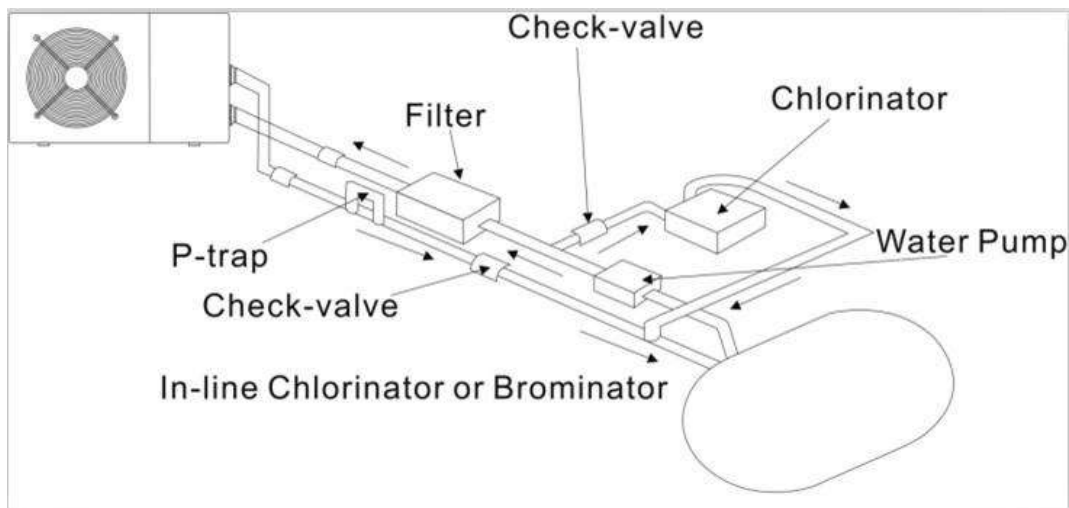
Vea el dibujo de abajo para las dimensiones mínimas.



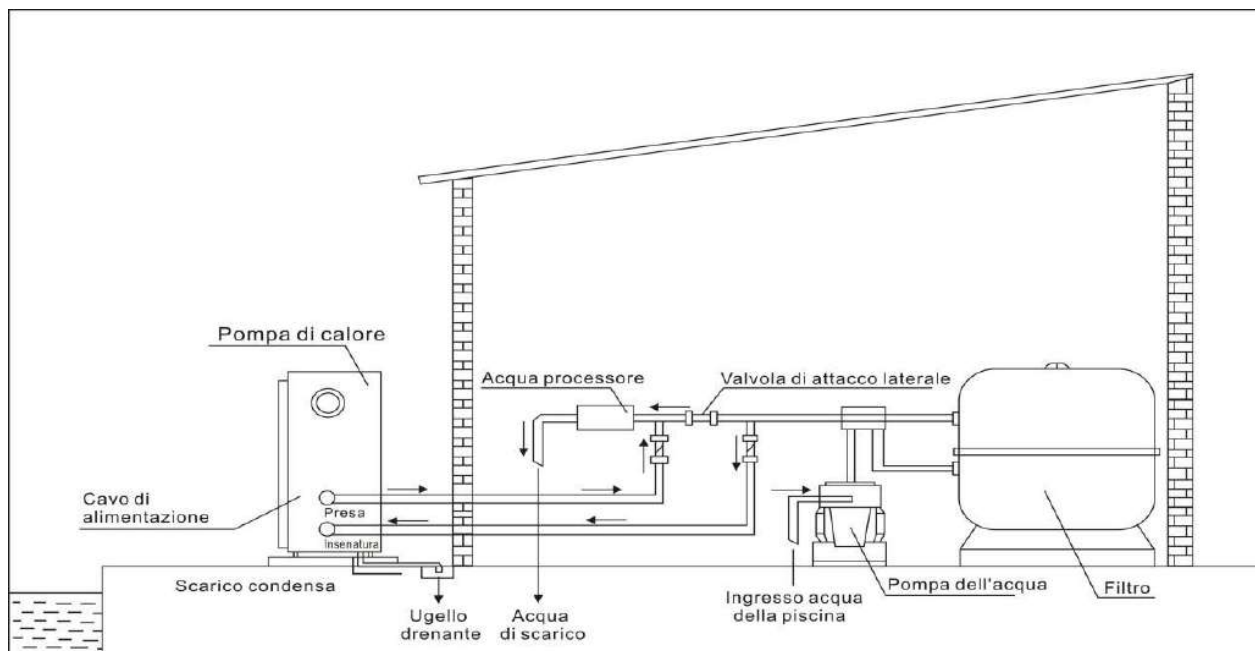
3.3 Instalación de la válvula de retención

Nota: Si se utiliza un equipo de dosificación automático para cloro y acidez (pH), es esencial proteger la bomba de calor de concentraciones químicas excesivamente altas que pueden corroer el intercambiador de calor. Por esta razón, los equipos de este tipo deben estar siempre instalados en la tubería del lado de la bomba de calor aguas abajo y se recomienda instalar una válvula de retención para evitar el flujo inverso en ausencia de circulación de agua.

Los daños a la bomba de calor causados por el incumplimiento de esta instrucción no están cubiertos por la garantía.

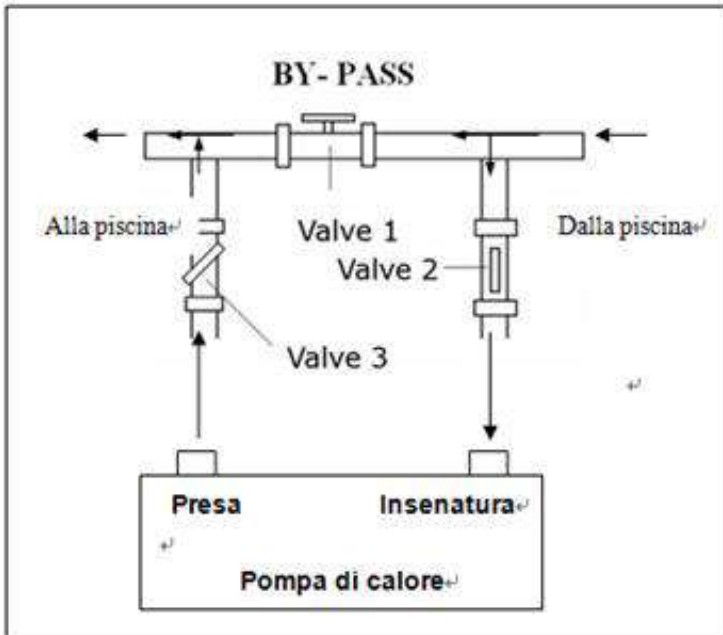


3.4 Disposizione tipica



Nota: Esta disposición es sólo un ejemplo ilustrativo.

3.5 Ajuste del bypass



Por favor, siga los pasos a continuación para ajustar el by-pass:

1. Válvula 1 abierta de par en par.

La válvula 2 y la válvula 3 están cerradas.

2. Abra lentamente la válvula 2 y la válvula 3 a la mitad, luego cierre la válvula 1 lentamente para aumentar el flujo de agua hacia la válvula 2 y la válvula 3.

3. Si muestra 'ON' o 'EE3' en pantalla, significa que el flujo de agua en la bomba de calor no es suficiente, entonces necesita ajustar las válvulas para aumentar el flujo de agua a través de la bomba de calor.

Cómo obtener el flujo de agua óptimo:

Encienda la bomba de calor con la función de calefacción, primero cierre el by-pass y ábralo lentamente para encender la bomba de calor (la máquina no puede comenzar a funcionar cuando el flujo de agua es insuficiente).

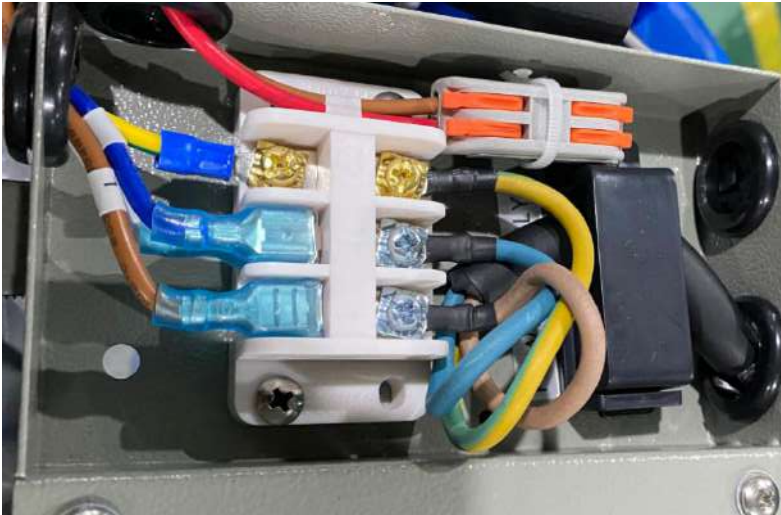
Continúe ajustando el by-pass, mientras tanto, para verificar la temperatura del agua de entrada. Y la temperatura del agua de salida, será óptima cuando la diferencia sea de alrededor de 2 grados.

3.6 Conexión eléctrica

Nota: Aunque la bomba de calor está aislada eléctricamente del resto del sistema de piscinas, esto sólo impide el flujo de corriente eléctrica hacia o desde el agua de la piscina. La puesta a tierra todavía se requiere para la protección contra cortocircuitos dentro de la unidad. Siempre proporcione una buena conexión a tierra. El instalador debe consultar con el proveedor de electricidad si es necesario y asegurarse de que el equipo está correctamente conectado a una red eléctrica con impedancia inferior a 0,095 ohmios.

Advertencia: Antes de realizar cualquier trabajo en el interior del aparato, debe cortar el suministro eléctrico del aparato, ya que existe el riesgo de descarga eléctrica que puede causar daños materiales, lesiones graves o incluso la muerte.

- Los terminales apretados incorrectamente pueden hacer que la caja de terminales se caliente, lo que puede invalidar la garantía.
- Sólo un técnico calificado y experimentado está autorizado para realizar trabajos de cableado dentro del aparato o para reemplazar el cable de alimentación.



Antes de conectar el aparato, compruebe que la tensión de alimentación coincida con la voltaje de funcionamiento de la bomba de calor.

Se recomienda conectar la bomba de calor a un circuito con fusible propio o disyuntor (tipo lento; curva D) y utilizar el cableado adecuado.

Para modelos horizontales: retire el panel a la derecha del ventilador.

Conecte los cables eléctricos al bloque de terminales marcado 'POWER SUPPLY'

Un segundo bloque de terminales marcado como 'BOMBA DE AGUA' se encuentra junto al primero.

La bomba

El filtro (máx. 5 A / 0 V) se puede conectar al segundo terminal aquí. Esto permite el funcionamiento de la bomba de filtrado debe ser controlado por la bomba de calor.

3.7 Operación inicial

Nota: Para calentar el agua de la piscina (o de la tina caliente), la bomba del filtro debe estar funcionando para que el agua circule a través de la bomba de calor. La bomba de calor no arrancará si el agua no está circulando.

Una vez realizadas y comprobadas todas las conexiones, realice el siguiente procedimiento:

1. Encienda la bomba del filtro. Compruebe si hay fugas y compruebe que el agua fluye desde y hacia la piscina.
2. Conecte la alimentación a la bomba de calor y presione el botón de encendido / apagado en el panel de control electrónico. La unidad se pondrá en marcha después de la expiración del tiempo de espera (véase más adelante).
3. Después de unos minutos, compruebe si el aire que sopla fuera de la unidad está más frío.
4. Cuando apague la bomba del filtro, la unidad también debe apagarse automáticamente, si no, entonces ajuste el interruptor de flujo.
5. Deje que la bomba de calor y la bomba del filtro funcionen 24 horas al día hasta que se alcance la temperatura deseada del agua. La bomba de calor dejará de funcionar en este punto. Después de esto, se reiniciará automáticamente (siempre y cuando la bomba del filtro esté funcionando) siempre que la temperatura del agua de la piscina caiga 2 grados por debajo de la temperatura ajustada.

Dependiendo de la temperatura inicial del agua en la piscina y la temperatura del aire, puede tomar varios días para calentar el agua a la temperatura deseada. Una buena cubierta de la piscina puede reducir dramáticamente la longitud requerida de tiempo.

Conmutador de flujo de agua:

Está equipado con un cambiador de flujo para proteger que la unidad de la bomba de calor, ella opera con el caudal de flujo de agua adecuado. El cambiador se enciende cuando la bomba para las piscinas entra en operación y se apagara cuando la bomba se apaga. Si el nivel de agua de la piscina es superior a un 1 m deberá oprimir el botón de ajuste automático de la bomba de calor, su distribuidor puede necesitar ajustar su puesta en marcha inicial.

Tiempo de retardo:

La unidad de la bomba de calor debe estar equipada con una protección de reiniciación temporizada de 3 minutos transitoria. El control del temporizador es una parte integral del circuito de control que puede eliminar el ciclo de iniciación y vibraciones del contactor.

El funcionamiento del temporizador permitirá de reiniciar automáticamente la unidad de la bomba de calor aproximadamente 3 minutos después de cada interrupción del circuito de control. Incluso una simple interrupción de la potencia se activará el estado 3 minutos de manera transitoria y prevendrá la unidad se reinicie hasta que tenga que los 3 minutos se ha terminado.

3.8 Condensación


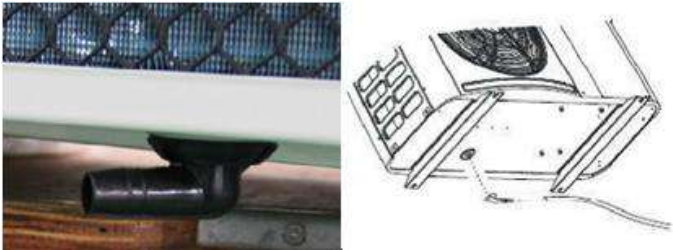



El aire aspirado en la bomba de calor se enfría fuertemente por el funcionamiento de la bomba de calor para calentar el agua de la piscina, lo que puede causar condensación en las aletas del evaporador. La cantidad de condensación puede ser de hasta varios litros por hora a alta humedad relativa. Esto a veces se considera erróneamente como una fuga de agua.

4. Accesorios

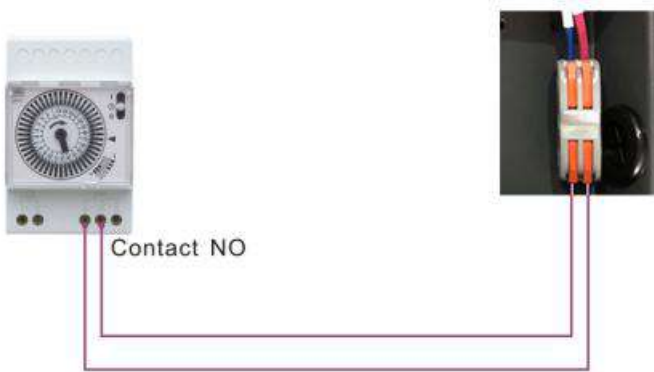
4.1 Accesorios Lista

		
Base antivibración, 4 piezas	Conexión de drenaje, 2 pieza	Caja estanca, 1 pieza
		
Funda de invierno, 1 pieza	Tubos de drenaje de agua, 2 piezas	Cable de señal 10M, 1 pieza

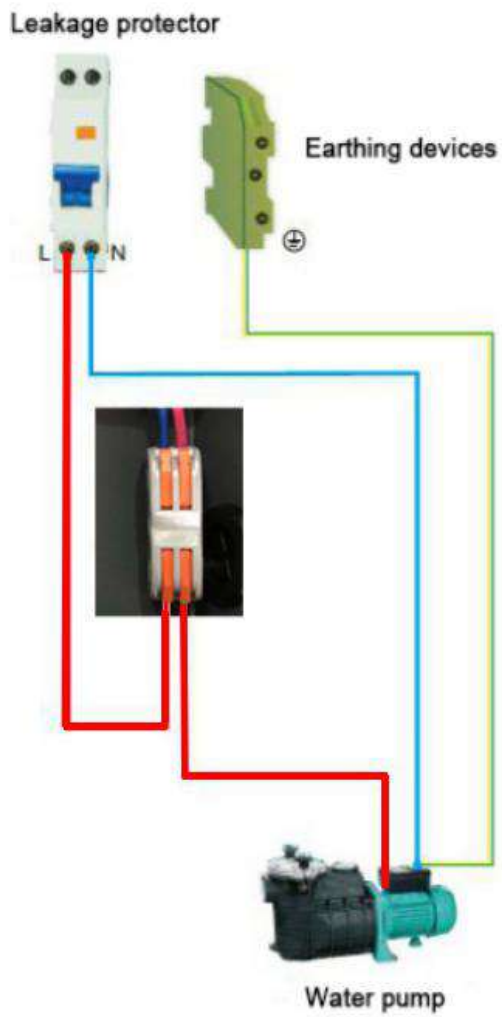
4.2 Accesorios Instalación

	<p>Bases antivibratorias</p> <ol style="list-style-type: none">1. Sacar 4 bases antivibratorias2. Póngalos uno por uno en la parte inferior de la máquina como la imagen.
	<p>Conexión de drenaje</p> <ol style="list-style-type: none">1. Instale el chorro de drenaje debajo del panel inferior2. Conecte con una tubería de agua para drenar el agua <p>Nota: Levante la bomba de calor para instalar el chorro. Nunca vuelque la bomba de calor, podría dañar el compresor.</p>
	<p>Conexión rápida de entrada y salida de agua</p> <ol style="list-style-type: none">1.. Instale las dos juntas como muestra la imagen2. Atornillarlos en el agua. Juntas de entrada y salida
	<p>Cableado de cables</p> <ol style="list-style-type: none">1. Abra la tapa de la caja eléctrica.2. Fije el cable de alimentación en las juntas L N E
	<p>Cableado de la bomba de agua (contacto seco)</p> <ol style="list-style-type: none">1. Abra la tapa de la caja eléctrica.2. Con los conectores 1 y 2 puedes pilotar la filtración de agua a través del temporizador de la filtración (contacto seco)

Temporizador de conexión de contacto libre de tensión Temporizador



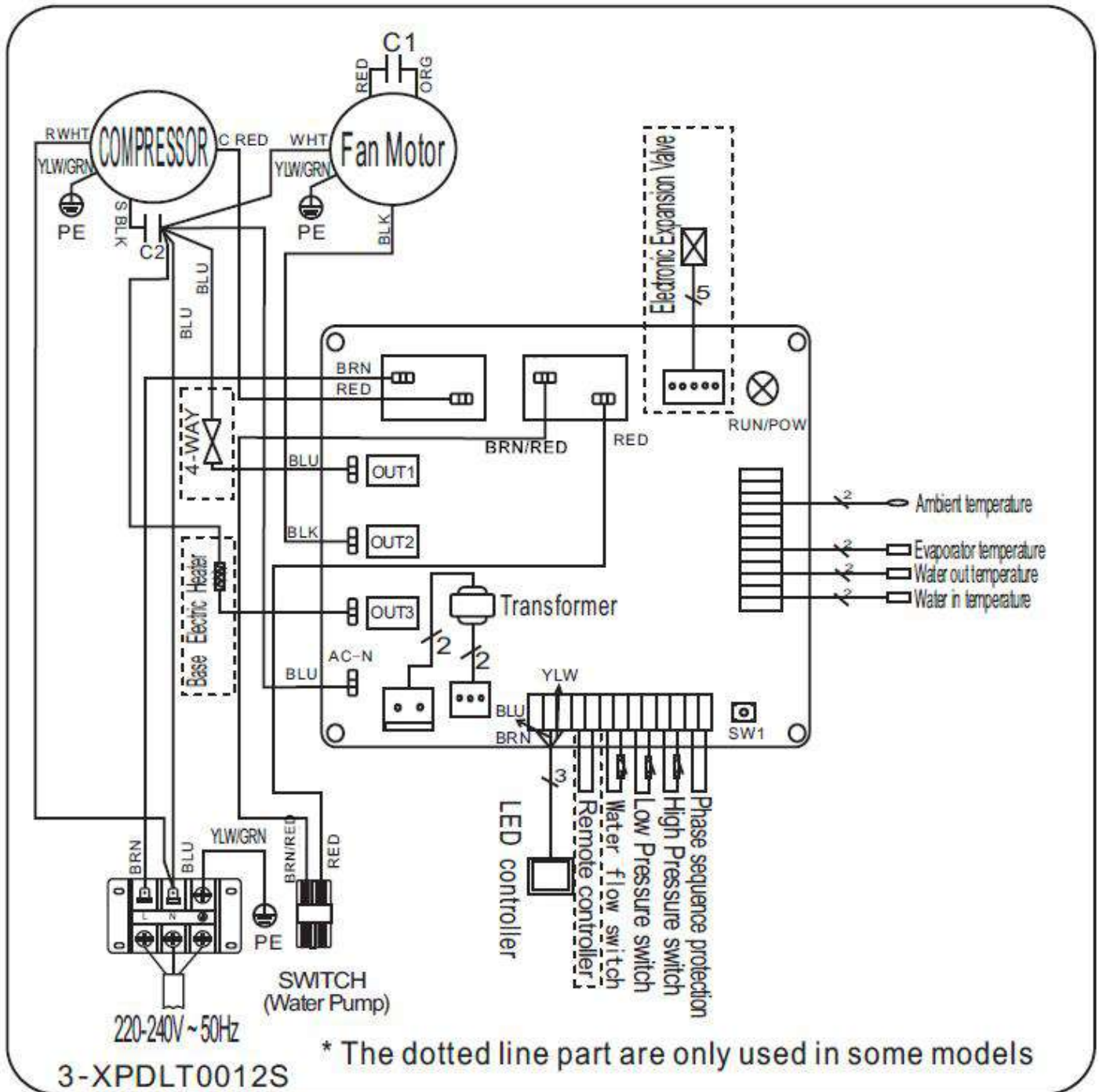
Conexión de la bomba de contacto libre de tensión



5. Cableado eléctrico

5.1 CALEFACCIÓN DE LA BOMBA DE CALOR DE LA PISCINA DIAGRAMA

FSN-05 / FSN-08 / FSN-11



FSN-05:

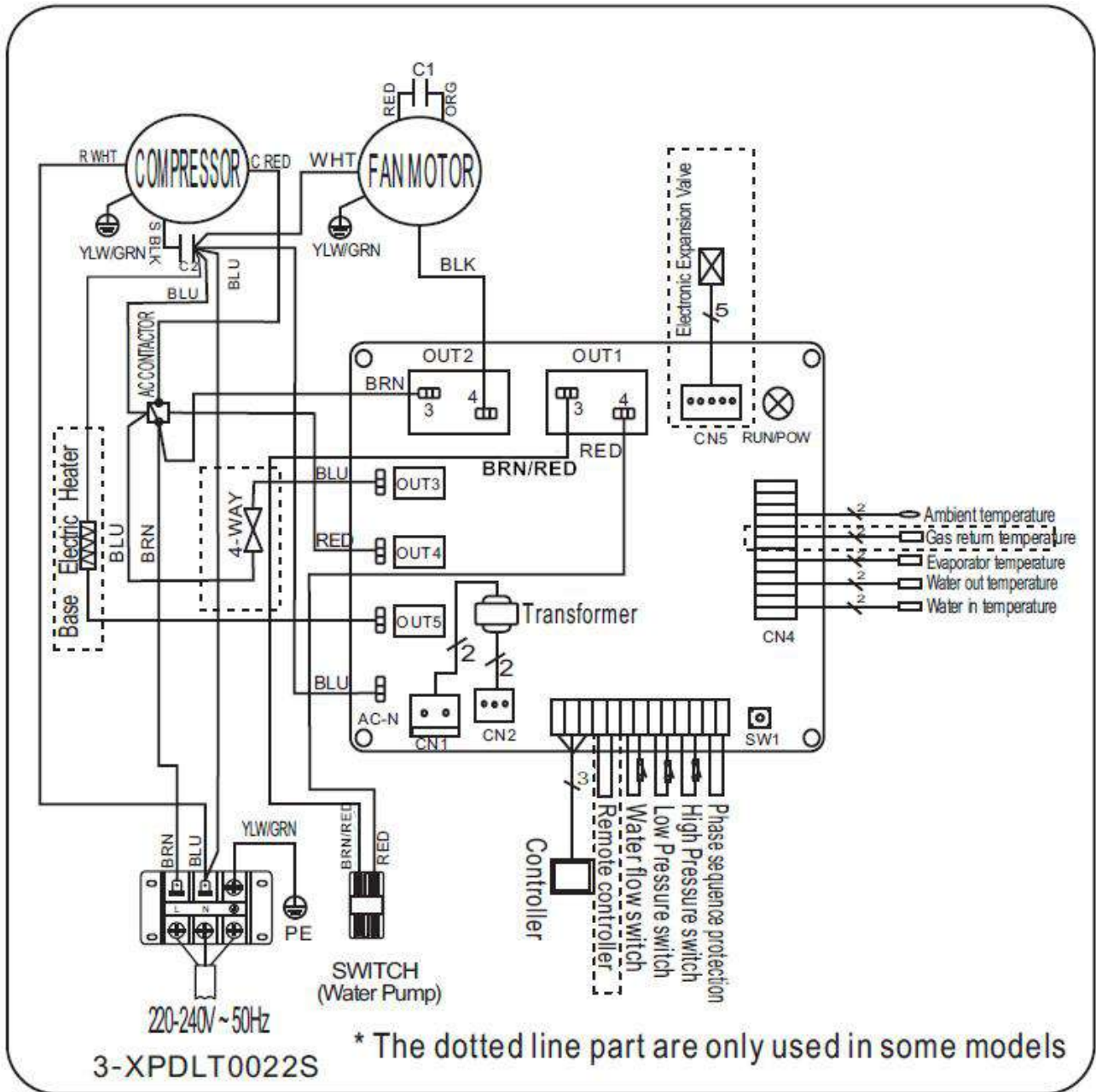
C1 = Condensador de ventilador = 2uF/450V

C2 = Condensador de compresor = 35uF/450V

FSN-08 / FSN-11:

C1 = Condensador de ventilador = 2uF/450V

C2 = Condensador de compresor = 60uF/450V



FSN-14/ FSN-17:

C1 = Condensador de ventilador = 6uF/450V

C2 = Condensador de compresor = 70uF/450V

NOTA:

(1) Por encima del diagrama de cableado eléctrico sólo para su referencia, se somete al diagrama de cableado que aparece en la máquina.

(2) La bomba de calor de la piscina debe conectarse bien al cable de tierra, aunque el intercambiador de calor de la unidad está aislado eléctricamente del resto de la unidad. El redondeo de la unidad todavía se requiere para protegerlo contra los cortocircuitos dentro de la unidad. .

Desconexión: Los medios de desconexión (interruptor automático, fusible o fusible sin fusibles) deben estar ubicados a la vista y fácilmente accesibles desde la unidad. Esto es una práctica común en bombas de calor comerciales y residenciales. Evita que los equipos desatendidos se energicen a distancia y permita desconectar la alimentación de la unidad mientras se realiza el mantenimiento de la unidad.

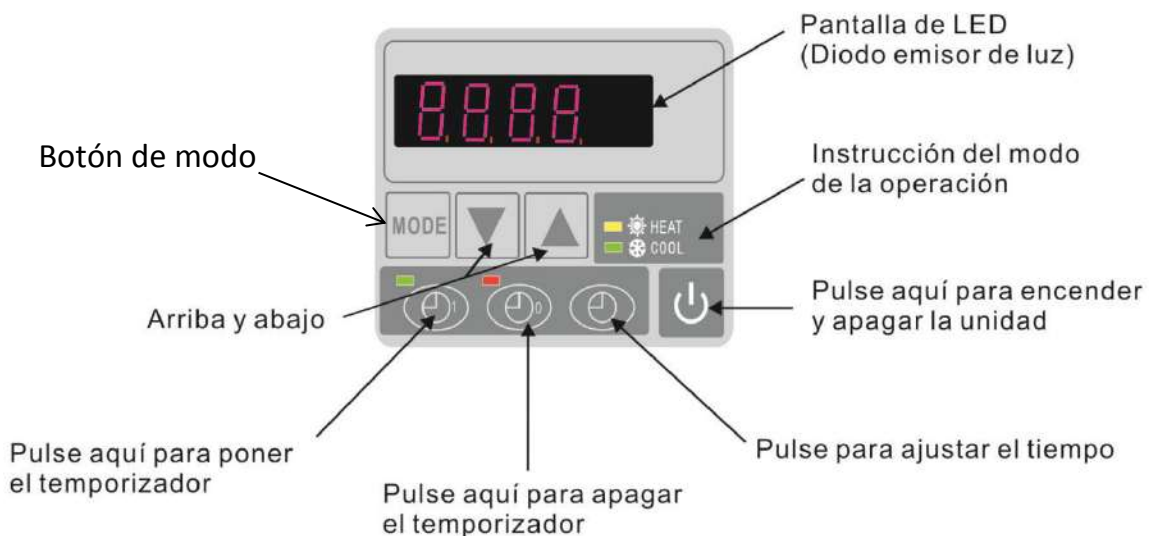
5.4 Instalación del display deportado



- Desmontaje y desgratificación del panel de control del conector (foto1)
- Instalación del cable suministrado (foto 2)
- Pasar el cable por el paquete de prensa (foto 3) y conectar directamente a los hijos

6. Funcionamiento del controlador de pantalla


6.1 Los botones del controlador LED




Cuando la bomba de calor está funcionando, la pantalla LED muestra la temperatura del agua de entrada.

Cuando la bomba de calor está en espera, la pantalla LED muestra el tiempo real.

6.2 Arranque o detenga la bomba de calor.


Presione  para iniciar la bomba de calor, la pantalla LED mostrará la temperatura del agua deseada durante 5 segundos y luego mostrará la temperatura del agua de entrada.

Presione  para detener la bomba de calor.

6.3 Elija el modo de calefacción o refrigeración:.

Presione  hasta que la luz "HEAT" o "COOL" esté encendida

6.4 Ajuste del tiempo real

En modo de espera o de funcionamiento, presione , luego presione  o  para ajustar hora / minuto. A continuación, vuelva a pulsar el botón  para guardar los nuevos datos.

Al ajustar la hora,  y  no pueden funcionar.




6.5 Ajuste de la temperatura del agua


En el modo de espera o de funcionamiento, pulse  y  para ajustar la temperatura del agua deseada

Nota: la bomba de calor puede funcionar sólo si el sistema de círculo de agua / filtración está funcionando.




6.6 Arranque / parada automática de la bomba de calor


Para configurar la hora de inicio de la unidad

Pulse  para ajustar la hora de inicio de la unidad, luego pulse  o  para ajustar la hora (ajuste la hora de inicio 5 minutos después de la bomba de agua).

Pulse  nuevamente para almacenar los nuevos datos.
Para ajustar el tiempo de parada de la unidad

Para ajustar el tiempo de parada de la unidad

Pulse  para ajustar el tiempo de parada, luego pulse  o  para ajustar la hora (ajuste el tiempo de parada 5 minutos antes de la bomba de agua).

Pulse  nuevamente para almacenar los nuevos datos.

6.7 Cancelar el arranque / parada automáticos

Cancelar el arrancador automático

Presione , luego presione ,  apagado y el inicio automático está apagado.

Para cancelar la parada automática

Presione , luego presione ,  apagado y la parada automática está apagada.




Nota: Si el sistema de filtración de agua se detiene antes de la bomba de calor, la unidad se apagará (por seguridad) y el código EE3 o ON se anunciará en el controlador.

Es importante programar el enlace de la bomba de calor del programa de tiempo del sistema de filtración de agua.



Para reiniciar la bomba de calor, apague y encienda la fuente de alimentación eléctrica para reiniciar la unidad.




6.8. Ajuste de parámetros



6.8.1 Cómo comprobar los parámetros

En modo de espera o de funcionamiento, presione  por 10 segundos, luego presione  o  para comprobar los parámetros (de 0 a H, vea la tabla de parámetros de operación).

6.8.2 Cómo ajustar los parámetros (Sólo se puede ajustar en modo de espera)

1) Mantenga presionado  por 10 segundos, presione  nuevamente para seleccionar los datos (de 0 a L, vea la tabla de parámetros de operación) que desea ajustar.

2) Luego presione  o  para ajustar el parámetro, presione  nuevamente para almacenar los nuevos datos.

3) A continuación, pulse  o  seleccione los otros datos que desea ajustar, repita la operación anterior.

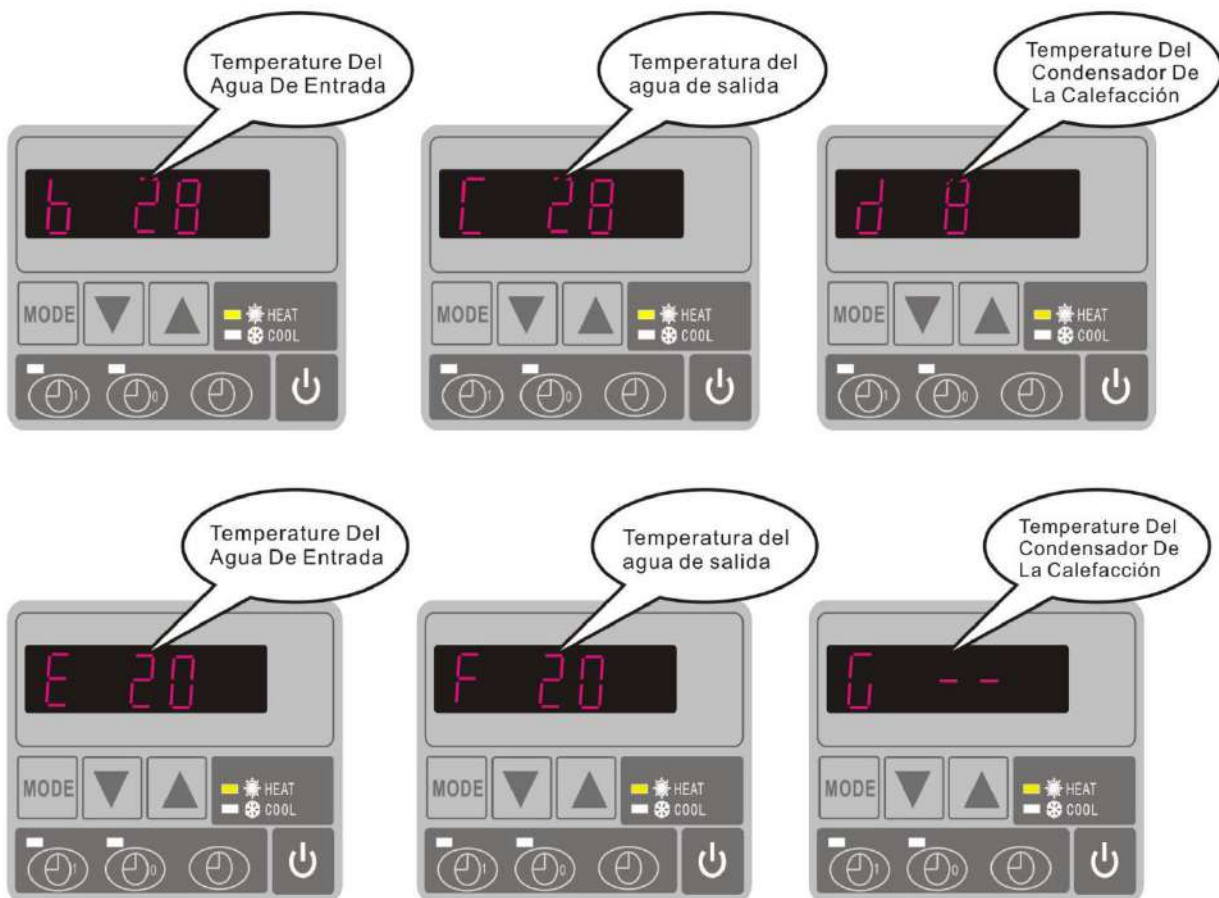




Por favor amablemente

- (A) Pulse " MODO" para seleccionar el modo (El modo solo se cambia por "1" o"2" ajuste del parámetro 6)
- (B) El modo se puede cambiar cuando se opera.
- (C) La calefacción eléctrica auxiliar no es aplicable a estos modos.

6.8.3 Cómo conocer el estado actual?





Parámetro	Significado	Rango	Valor por defecto	Notas
0	Para ajustar la temperatura del agua de entrada en el modo del enfriamiento	8-35°C	28°C	Ajustable
1	Para ajustar la temperatura del agua de entrada en el modo de la calefacción.	15-40°C	28°C	Ajustable
2	Entrada en el período de tiempo de descongelación	30-90MIN	40MIN	Ajustable
3	Condición de la función de entrada de descongelación	-30°C to 0°C	-7°C	Ajustable
4	Condición de salida de descongelación	2 to 30°C	20°C	Ajustable
5	Tiempo de salida de descongelación	1 to 12MIN	8MIN	Ajustable
6	Modo: 0 calefacción 1 calefacción y refrigeración	0-1	1 calefacción y refrigeración	Ajustable
7	Modo de selección de la válvula electrónica de expansión	0-1	1(auto)	Ajustable
8	Recalentamiento para el objetivo de la calefacción	-15°C-15°C	3°C	Ajustable
9	Recalentamiento para el objetivo del refrigeración	-15°C-15°C	-2°C	Ajustable
A	Pasos de ajuste manual de la válvula electrónica de la expansión	18-94	70	Ajustable
B	Temperatura de agua de entrada	-9-99°C		Prueba exacta por el valor
C	Temperatura de agua de salida	-9-99°C		Prueba exacta por el valor
D	Temperatura de condensador en el modo de la calefacción	-9-99°C		Prueba exacta por el valor
E	Temperatura del retorno de gas	-9-99°C		Prueba exacta por el valor
F	Temperatura ambiental	-9-99°C		Prueba exacta por el valor
G	Temperatura de condensador en el modo del refrigeración	-9-99°C		Prueba exacta por el valor
H	Pasos actuales de la válvula electrónica de expansión	N*5		Prueba exacta por el valor
L	Calibración de la temperatura del agua de entrada	-9-99°C		Ajustable

Notas:

(1) Cuando la bomba de calor deja de funcionar durante 30 segundos, la bomba del agua se apagará automáticamente.

(2) El controlador de cable de LED puede operar la bomba del agua después de conectar un cable adicional con el dispositivo de la bomba en la posición del terminal de precisión” BOMBA”

7. Mal funcionamiento y solución de problemas**7.1 Código de error mostrado en el controlador de cable de LED**

Avería	Código de error	Motivo	Solución
Low ambient temperature protection	PP0	Ambient temperature is too low	
Fallo del sensor de la temperatura del agua de entrada	PP1	El sensor en el circuito abierto o en cortocircuito	Verifique o cambie el sensor
Fallo del sensor de la temperatura del agua de salida	PP2	El sensor en el circuito abierto o en cortocircuito	Verifique o cambie el sensor
Fallo del sensor de condensador de la calefacción	PP3	El sensor en el circuito abierto o en cortocircuito	Verifique o cambie el sensor
Fallo del sensor del retorno de gas	PP4	El sensor en el circuito abierto o en cortocircuito	Verifique o cambie el sensor
Fallo del sensor de la temperatura ambiental	PP5	El sensor en el circuito abierto o en cortocircuito	Verifique o cambie el sensor
La diferencia de la temperatura entre el agua de entrada y salida es demasiado importante	PP6	El volumen del flujo del agua no es suficiente, la diferencia de la presión del agua es demasiado baja.	Chequee el volumen del flujo del agua o que el agua puede estar embotellada o no.
Primer grado de la protección anticongelante en invierno	PP7	La temperatura ambiental o la temperatura del agua de entrada son demasiado bajas.	La bomba del agua se operará automáticamente para el primer grado anticongelante.
Segundo grado de protección anticongelante en invierno	PP7	La temperatura ambiental o la temperatura del agua de entrada son demasiado bajas.	La bomba de calor comenzará a calentar para el segundo grado anticongelante.
Protección de alta presión	EE1	<ol style="list-style-type: none"> 1. La refrigeración es demasiado. 2. El flujo del aire no es suficiente. 	<ol style="list-style-type: none"> 3. Descarga el refrigerante redundante del sistema del gas de la bomba de calor. 4. Limpie el intercambiador del aire.
Protección de baja presión	EE2	<ol style="list-style-type: none"> 1. El refrigerante no es suficiente 2. El flujo del agua no es suficiente 3. Filtro atascado o capilar atorado. 	<ol style="list-style-type: none"> 1. Verifique si hay alguna fuga de gas, vuelve a llenar el refrigerante. 2. Limpie el intercambiador de aire 3. Reemplace el filtro o capilar.

Fallo de cambiador del flujo	EE3 o ON	No hay agua/ un poco de agua	Verifique el volumen del flujo del agua, o si bomba está en funcionamiento o no.
Fallo de la diferencia de la temperatura del agua de entrada y salida	EE5	El volumen del flujo del agua no es suficiente, la diferencia de la presión del agua es demasiado baja.	Chequea la tasa del flujo del agua, el sistema del agua está atascado o no
Fallo de comunicación	EE8	Conexión de cable no es Buena	Chequea la conexión del cable

7.2 Indicación de fallo en PCB

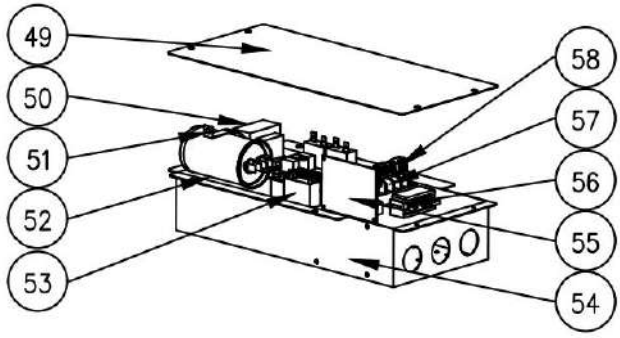
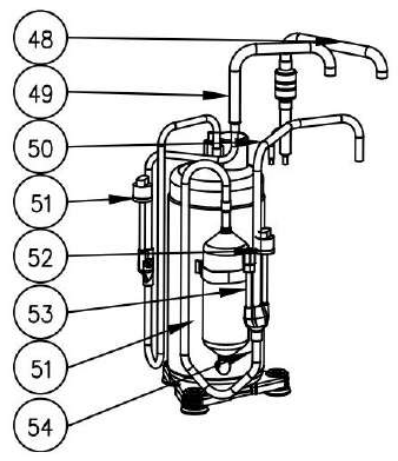
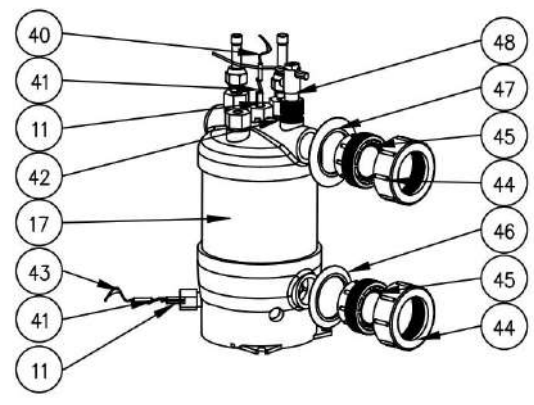
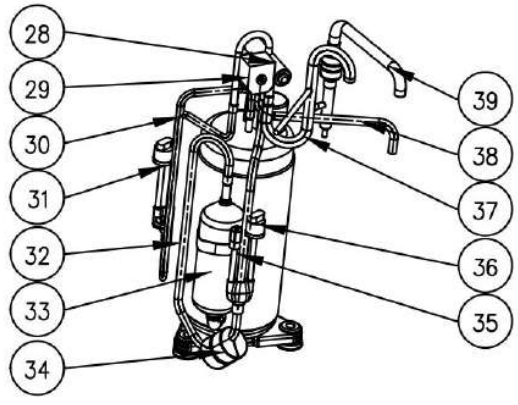
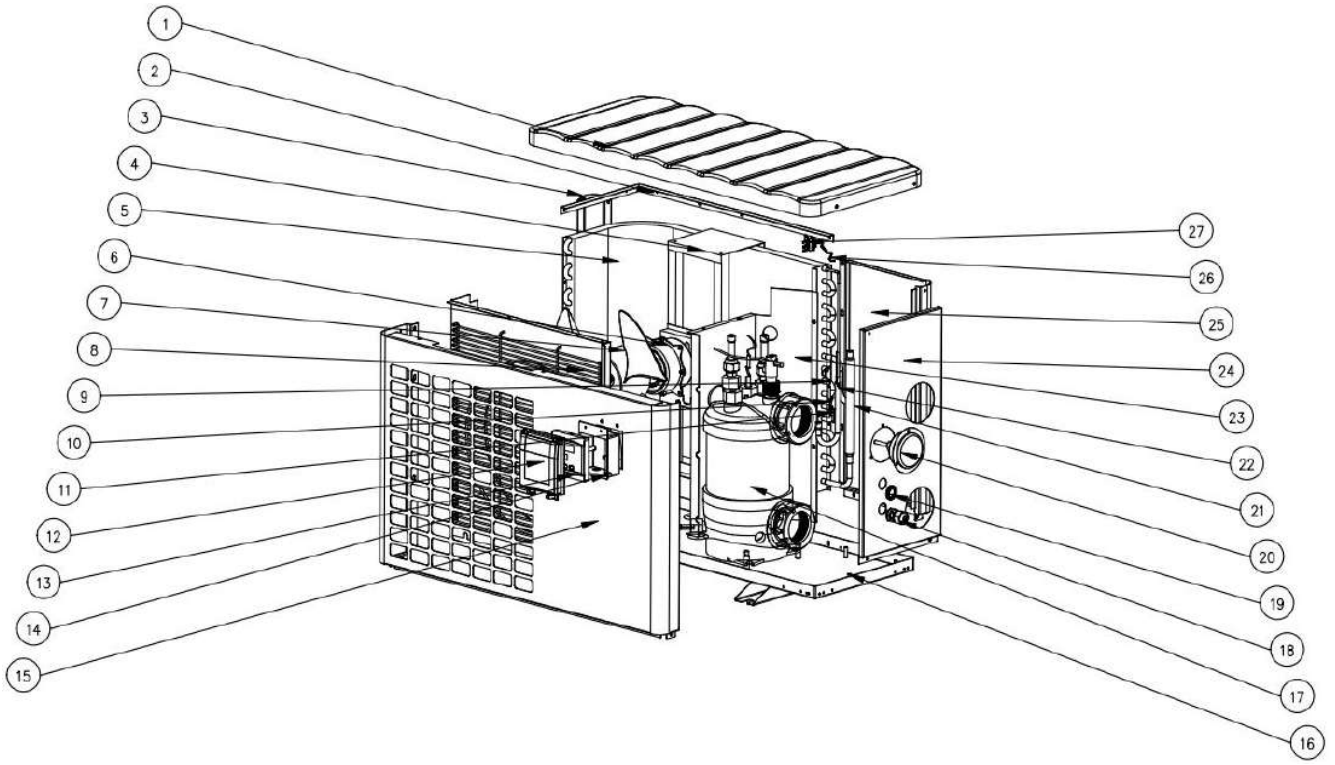
Protección / Avería	Pantalla del controlador	Indicación de fallo en PCB
Bomba de calor en estado de espera	ON	
Bomba de calor de funcionamiento	Temperatura de agua de entrada	
Protección temperatura ambiente baja	PP0	
Fallo del sensor de la temperatura del agua de entrada	PP1	
Fallo del sensor de la temperatura del agua de salida	PP2	
Fallo del sensor de condensador de la calefacción	PP3	
Fallo del sensor del retorno de gas	PP4	
Fallo del sensor de la temperatura ambiental	PP5	
La diferencia de la temperatura entre el agua de entrada y salida es demasiado importante	PP6	
La refrigeración de la temperatura es demasiado fría	PP9	
Primer grado de la protección anticongelante en invierno	PP7	
Segundo grado de protección anticongelante en invierno	PP7	
Protección de alta presión	EE1	
Protección de baja presión	EE2	
Fallo de cambiador del flujo	ON/EE3	
Fallo de la diferencia de la temperature del agua de entrada y salida	EE5	
Descongelar	Descongelar	

7.3 Otras Averías y Soluciones (No se achichan en el controlador de cable de LED)

Avería	Descripción	Motivos	Solución
La bomba de calor no se está operando.	Ninguna visualización sobre el controlador LED se affiche.	No hay alimentación de potencia.	Chequee el cable y el cambiador del circuito, verifique si están conectados.
	Controlador de cable de LED muestra el tiempo actual	La bomba de calor está en el estado de espera.	Inicie la bomba de calor para su puesta en marcha.
	El controlador de cable de LED muestra la temperatura del agua actual.	<ol style="list-style-type: none"> 1. La temperatura del agua está llegando al valor ajustado, la bomba de calor se encuentra en estado de temperatura constante. 2. La bomba de calor comienza justo a funcionar. 3. Bajo la descongelación. 	<ol style="list-style-type: none"> 1. Verifica el ajuste de la temperatura del agua. 2. Inicie la bomba de calor después de algunos minutos. 3. El controlador de cable de LED debe mostrar "descongelación".
Operación corta	LED muestra la temperatura actual del agua, no se muestra el código de error.	<ol style="list-style-type: none"> 1. Ventilador NO marcha. 2. La ventilación del aire no es suficiente. 3. El refrigerante no es suficiente. 	<ol style="list-style-type: none"> 1. Chequee las conexiones de cable entre el motor y el ventilador, si es necesario, deben ser reemplazados. 2. Compruebe la ubicación de la unidad de la bomba de calor, y elimine todos los obstáculos para tener una buena ventilación del aire. 3. Reemplace o repare la unidad de la bomba del calor.
Manchas de agua	Manchas de agua en la unidad de la bomba de calor	<ol style="list-style-type: none"> 1. Protección 2. Fuga del agua. 	<ol style="list-style-type: none"> 1. Ninguna acción. 2. Verifique con cuidado el intercambiador de calor de titanio si hay algún fallo de fuga.
Demasiado hielo en el evaporador	Demasiado hielo en el evaporador		<ol style="list-style-type: none"> 1. Chequee la ubicación de la unidad de la bomba de calor, y elimine todos los obstáculos para tener una buena ventilación del aire. 2. Reemplace o repare la unidad de la bomba de calor.

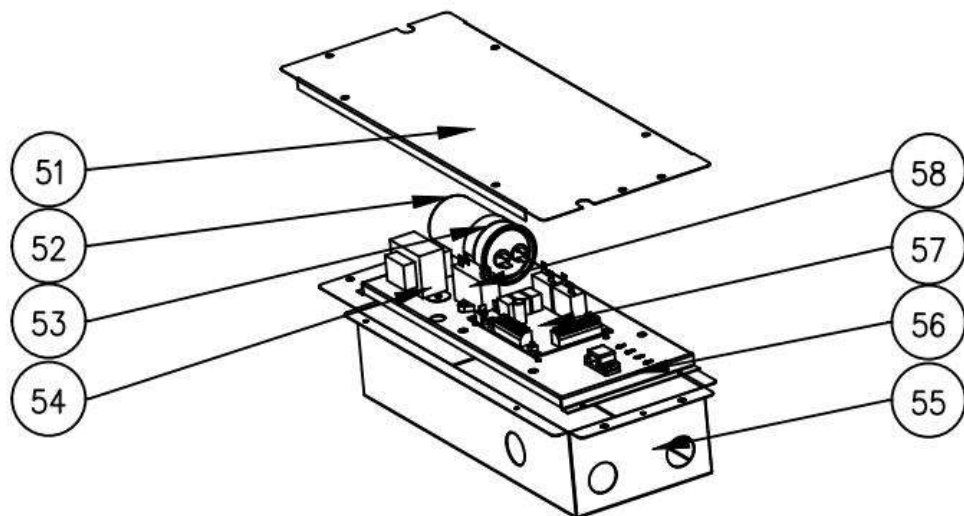
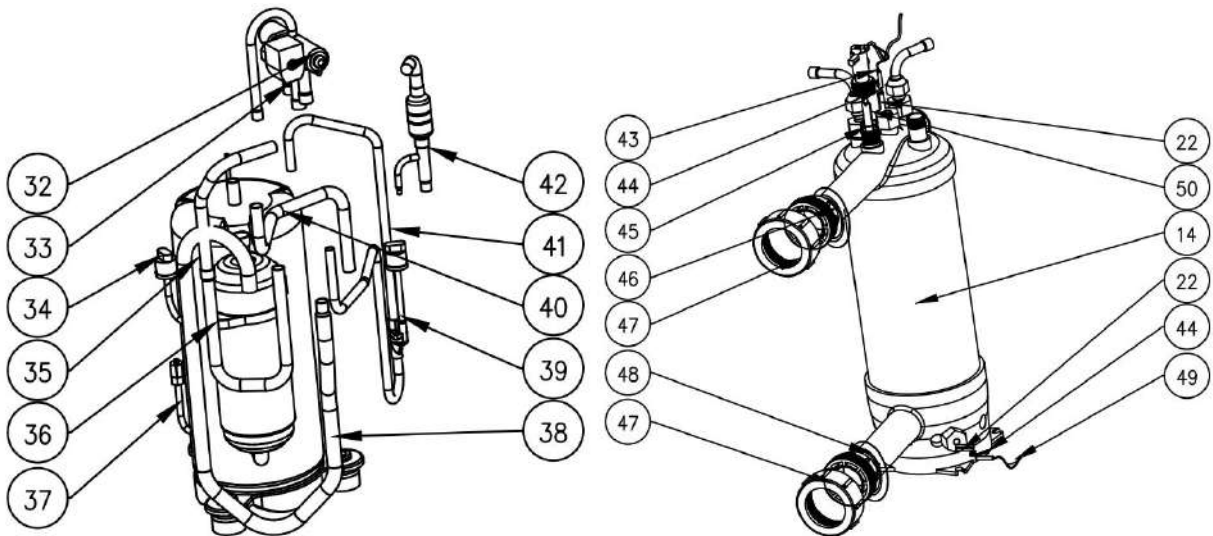
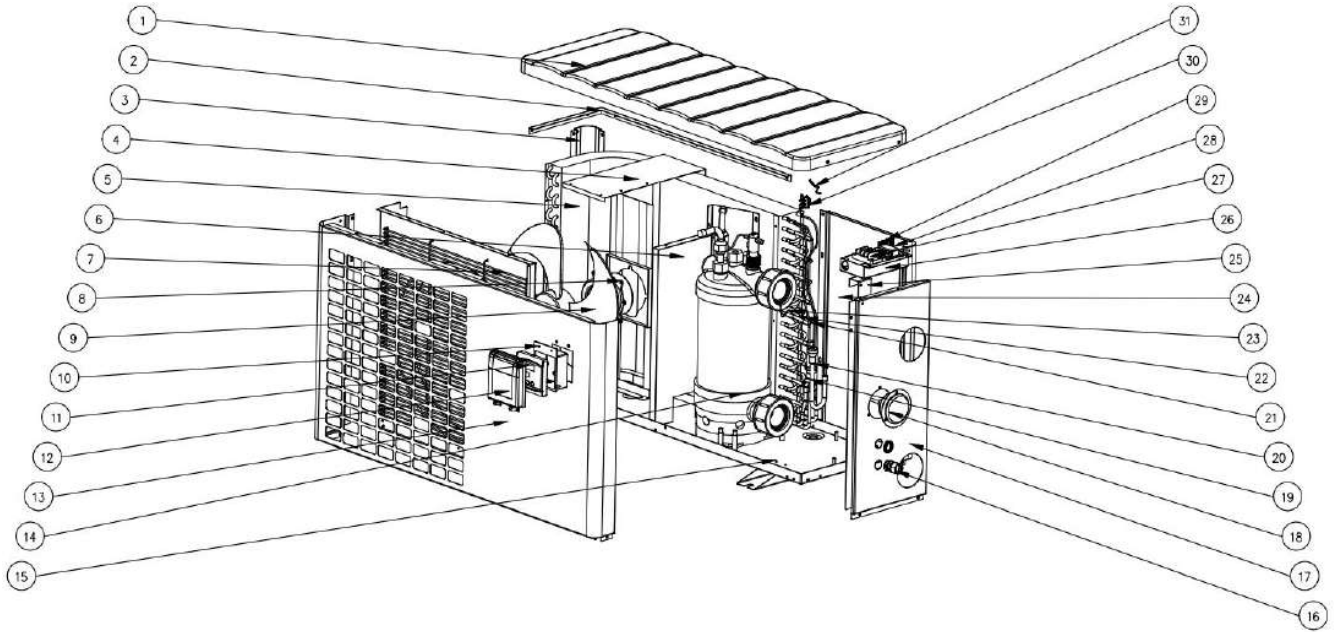
8. Diagrama Explosionado

Model: FSN05



NO	ERP	Spare parts	NO	ERP	Spare parts
1	133420002	Tapa superior	30	113010408	Tubo de escape
2	108920005	Placa de soporte eléctrico	31	112100030	Minipresostato de alta presión
3	108920011	Pilar	32	113020562	Tubería de retorno de gas
4	108920002	Soporte del motor del ventilador	33	101000241	Compresor + bases antivibratorias.
5	103000250	Evaporador	34	136020026	Caucho antivibraciones
6	112000033	Motor del ventilador	35	120000098	Válvula de gas
7	132000001	Aspa del ventilador	36	112100046	Minipresostato de baja presión
8	108920014	Montaje del panel frontal	37	113030180	Tube vanne 4 voies vers échangeur
9	112200136	Sonda evaporador. Desescarche. T3	38	113060185	Tube
10	113190007	Clip	39	113090085	Intercambiador a Capilar
11	113190001	Alojamiento de sonda	40	112200138	Sonda Tª salida de agua sensor T2
12	133030011	Caja de control	41	108010025	Clip de fixation sonde de température
13	117020087	controlador	42	133020026	Junta de goma en la conexión de agua
14	113712007	Cubierta del controlador	43	112200133	Sonde de température d'arrivée d'eau T1
15	108920013	Panel frontal	44	102050005	Raccord à visser
16	108920016	Bandeja de base	45	102050005	Conexión de agua
17	102041042	Intercambiador de calor de titanio	46	133020011	Joint bleu
18	110000039	Conexión de Cable	47	133020012	Joint rouge
19	136020134	Junta de goma	48	112100021	Détecteur de débit
20	106000011	Manómetro	49	108020044	Tapa de caja electrica
21	103000250	Tubería evaporador	50	112200064	transformador
22	103000250	Tubería de distribución	51	108010008	Clip del condensador
23	108920009	Panel de aislamiento	52	111300013	Condensador de compresor
24	108920012	Panel lateral	53	111300002	Condensador de ventilador
25	108920010	Panel trasero	54	108920015	Coffret électrique
26	112200141	Sonda Tª ambiente T5	55	11220183	Carte électronique
27	133020010	Clip sonda Tª ambiente	56	115000060	Bornier de connexion
28	121000035	Válvula de 4 vías	57	115000002	Bornas de conexión
29	121000036	Bobinas de válvulas de cuatro vías	58	136010004	Clip de fixation sonde

Model: FSN-08 / FSN-11



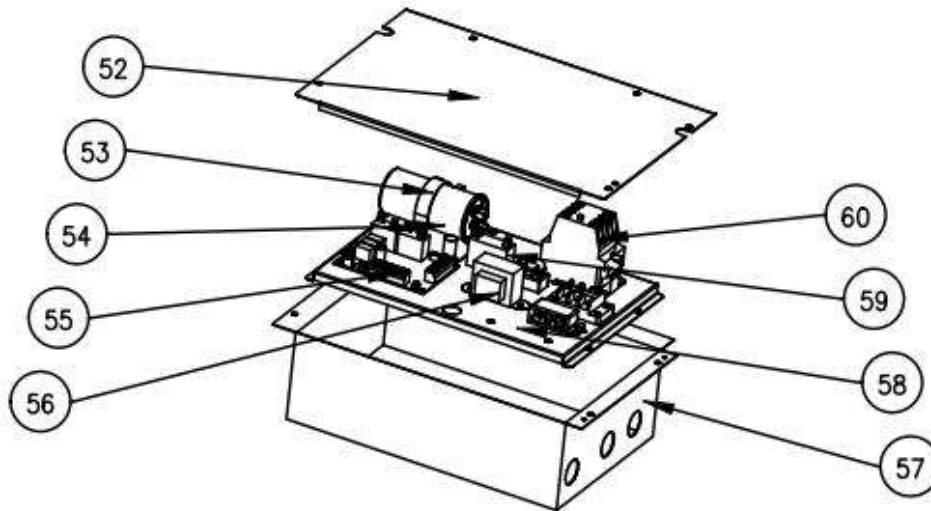
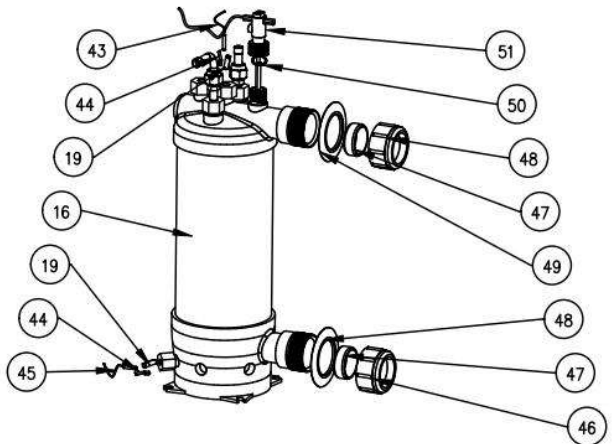
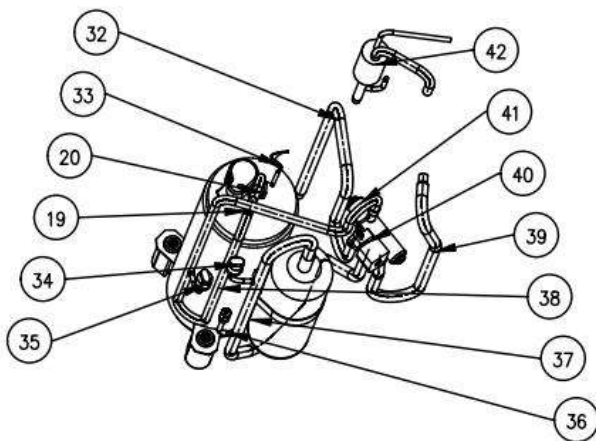
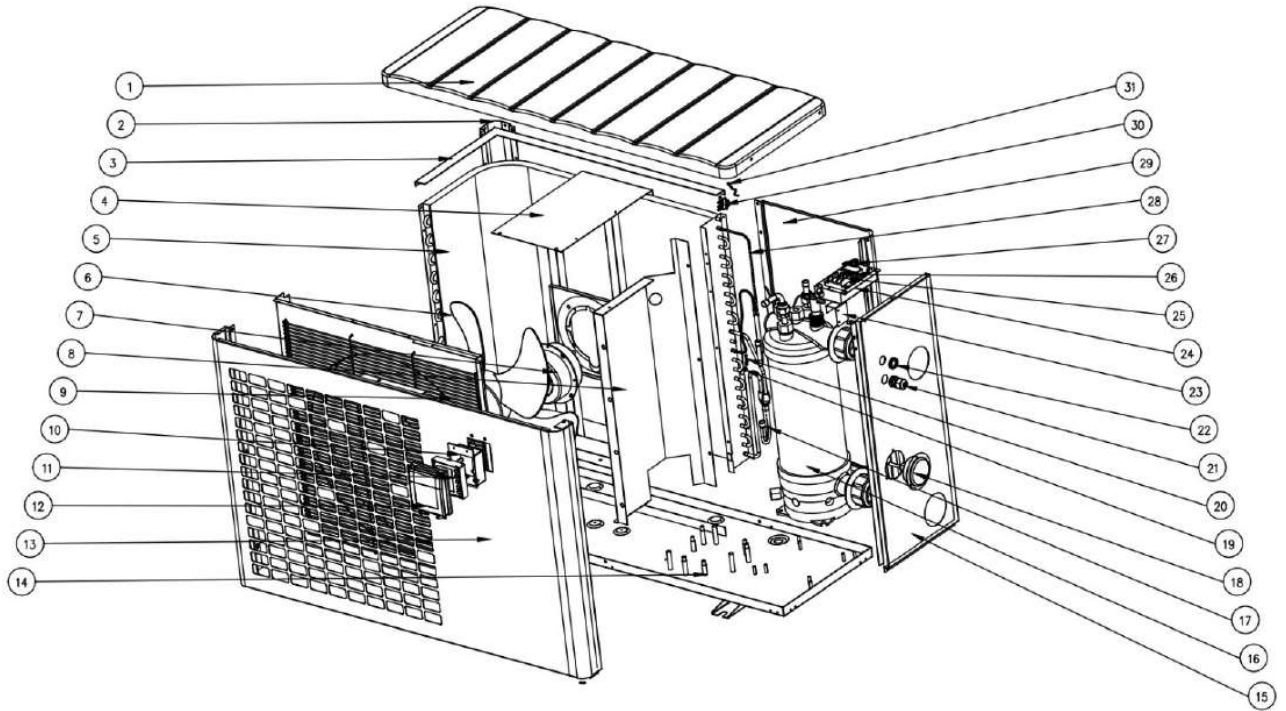
Spare parts list: FSN-08

NO	ERP	Spare parts	NO	ERP	Spare parts
1	133430003	Tapa superior	30	133020010	Clip sonda Tª ambiente
2	108900016	Placa de soporte eléctrico	31	112200141	Sonda Tª ambiente T5
3	108900021	Pilar	32	121000034	Válvula de 4 vías
4	108900011	Soporte del motor del ventilador	33	121000037	Bobinas de válvulas de cuatro vías
5	103000311	Evaporador	34	112100046	Minipresostato de baja presión
6	108900010	Panel de aislamiento	35	113030168	Tube vanne 4 voies vers échangeur
7	108900024	Montaje del panel frontal	36	113030169	Tube vanne 4 voies vers échangeur
8	112000069	Motor del ventilador	37	120000097	Válvula de gas
9	113600007	Aspa del ventilador	38	113020528	Tubería de retorno de gas
10	133030011	Caja de control	39	112100030	Minipresostato de alta presión
11	117020087	controlador	40	113010379	Tubo de escape
12	113712007	Cubierta del controlador	41	113060174	Tube
13	108900022	Panel frontal	42	113090090	Intercambiador a Capilar
14	102041049	Intercambiador de calor de titanio	43	112200138	Sonda Tª salida de agua sensor T2
15	108900001	Bandeja de base	44	108010025	Clip de fixation sonde de température
16	110000039	Conexión de Cable	45	133020026	Junta de goma en la conexión de agua
17	108900023	Panel lateral	46	133020012	Joint rouge
18	106000011	Manómetro	47	102050015	Raccord à visser
19	103000311	Tubería evaporador	48	133020011	Joint bleu
20	103000311	Tubería de distribución	49	112200133	Sonde de température d'arrivée d'eau T1
21	113190001	Alojamiento de sonda	50	112100021	Détecteur de débit
22	113190007	Clip	51	108140063	Tapa de caja electrica
23	112200136	Sonda evaporador. Desescarche. T3	52	111300018	Condensador de compresor
24	108900020	Panel trasero	53	108010007	Clip del condensador
25	108900017	Placa de soporte de la caja de cable.	54	112200064	transformador
26	108030240	Caja de cablecable	55	108140061	Coffret électrique
27	115000002	Bornas de conexión	56	108140062	Cuadro eléctrico
28	136010004	Clip de fixation sonde	57	111300002	Condensador de ventilador
29	115000060	Bornier de connexion	58	11220183	Carte électronique

Spare parts list: FSN-11

NO	ERP	Spare parts	NO	ERP	Spare parts
1	133430003	Tapa superior	30	133020010	Clip sonda Tª ambiente
2	108900016	Placa de soporte eléctrico	31	112200141	Sonda Tª ambiente T5
3	108900021	Pilar	32	121000034	Válvula de 4 vías
4	108900011	Soporte del motor del ventilador	33	121000037	Bobinas de válvulas de cuatro vías
5	103000310	Evaporador	34	112100046	Minipresostato de baja presión
6	108900010	Panel de aislamiento	35	113030168	Tube vanne 4 voies vers échangeur
7	108900024	Montaje del panel frontal	36	113030169	Tube vanne 4 voies vers échangeur
8	112000069	Motor del ventilador	37	120000097	Válvula de gas
9	113600007	Aspa del ventilador	38	113020525	Tubería de retorno de gas
10	133030011	Caja de control	39	112100030	Minipresostato de alta presión
11	117020087	controlador	40	113010377	Tubo de escape
12	113712007	Cubierta del controlador	41	113060173	Tube
13	108900022	Panel frontal	42	113090090	Intercambiador a Capilar
14	102041050	Intercambiador de calor de titanio	43	112200138	Sonda Tª salida de agua sensor T2
15	108900001	Bandeja de base	44	108010025	Clip de fixation sonde de température
16	110000039	Conexión de Cable	45	133020026	Junta de goma en la conexión de agua
17	108900023	Panel lateral	46	133020012	Joint rouge
18	106000011	Manómetro	47	102050015	Raccord à visser
19	103000310	Tubería evaporador	48	133020011	Joint bleu
20	103000310	Tubería de distribución	49	112200133	Sonde de température d'arrivée d'eau T1
21	113190001	Alojamiento de sonda	50	112100021	Détecteur de débit
22	113190007	Clip	51	108140063	Tapa de caja electrica
23	112200136	Sonda evaporador. Desescarche. T3	52	111300018	Condensador de compresor
24	108900020	Panel trasero	53	108010007	Clip del condensador
25	108900017	Placa de soporte de la caja de cable.	54	112200064	transformador
26	108030240	Caja de cablecable	55	108140061	Coffret électrique
27	115000002	Bornas de conexión	56	108140062	Cuadro eléctrico
28	136010004	Clip de fixation sonde	57	111300002	Condensador de ventilador
29	115000060	Bornier de connexion	58	11220183	Carte électronique

Model: FSN-14 / FSN-17



Spare parts list: FSN-14

NO	ERP	Spare parts	NO	ERP	Spare parts
1	133410002	Tapa superior	31	112200141	Sonda Tª ambiente T5
2	108050132	Pilar	32	113060099	Tube
3	108050208	Placa de soporte eléctrico	33	112200136	Sonda evaporador. Desescarche. T3
4	108050212	Soporte del motor del ventilador	34	112100030	Manómetro
5	103000201	Evaporador	35	112100046	Minipresostato de baja presión
6	113600010	Aspa del ventilador	36	120000097	Válvula de gas
7	112000070	Motor del ventilador	37	113020392	Tubería de retorno de gas
8	108050211	Panel de aislamiento	38	113010283	Tubo de escape
9	108050213	Montaje del panel frontal	39	113030098	Tube vanne 4 voies vers échangeur
10	133030011	Caja de control	40	121000037	Bobinas de válvulas de cuatro vías
11	117020087	controlador	41	121000028	Válvula de 4 vías
12	113712007	Cubierta del controlador	42	113090066	Intercambiador a Capilar
13	108050214	Panel frontal	43	112200138	Sonda Tª salida de agua sensor T2
14	108050209	Bandeja de base	44	108010025	Clip de fixation sonde de température
15	108050210	Panel lateral	45	112200133	Sonde de température d'arrivée d'eau T1
16	102040994	Intercambiador de calor de titanio	46	102050005	Raccord à visser
17	103000201	Tubería evaporador	47	102050005	Conexión de agua
18	106000011	Manómetro	48	133020011	Joint bleu
19	113190001	Alojamiento de sonda	49	133020012	Joint rouge
20	113190007	Clip	50	133020026	Junta de goma en la conexión de agua
21	110000039	Conexión de Cable	51	112100021	Détecteur de débit
22	136020119	Junta de goma	52	108110011	Tapa de caja electrica
23	108050215	Placa de soporte de la caja de cable.	53	108010007	Clip del condensador
24	108030240	Caja de cablecable	54	111000020	Condensador de compresor
25	115000002	Bornas de conexión	55	11220182	Carte électronique
26	136010004	Clip de fixation sonde	56	112200064	transformador
27	115000060	Bornier de connexion	57	108050192	Coffret électrique
28	103000201	Tubería de distribución	58	108050193	Cuadro eléctrico
29	108050195	Panel trasero	59	111000006	Condensador de ventilador
30	133020010	Clip sonda Tª ambiente	60	104000001	Contattore AC

Spare parts list: FSN-17

NO	ERP	Spare parts	NO	ERP	Spare parts
1	133410002	Tapa superior	31	112200141	Sonda Tª ambiente T5
2	108050132	Pilar	32	113060099	Tube
3	108050208	Placa de soporte eléctrico	33	112200136	Sonda evaporador. Desescarche. T3
4	108050212	Soporte del motor del ventilador	34	112100030	Manómetro
5	103000202	Evaporador	35	112100046	Minipresostato de baja presión
6	113600010	Aspa del ventilador	36	120000097	Válvula de gas
7	112000070	Motor del ventilador	37	113020591	Tubería de retorno de gas
8	108050211	Panel de aislamiento	38	113020632	Tube de escape
9	108050213	Montaje del panel frontal	39	113030098	Tube vanne 4 voies vers échangeur
10	133030011	Caja de control	40	121000037	Bobinas de válvulas de cuatro vías
11	117020087	controlador	41	121000028	Válvula de 4 vías
12	113712007	Cubierta del controlador	42	113090095	Intercambiador a Capilar
13	108050214	Panel frontal	43	112200138	Sonda Tª salida de agua sensor T2
14	108050225	Bandeja de base	44	108010025	Clip de fixation sonde de température
15	108050210	Panel lateral	45	112200133	Sonde de température d'arrivée d'eau T1
16	102041068	Intercambiador de calor de titanio	46	102050005	Raccord à visser
17	103000202	Tubería evaporador	47	102050005	Conexión de agua
18	106000011	Manómetro	48	133020011	Joint bleu
19	113190001	Alojamiento de sonda	49	133020012	Joint rouge
20	113190007	Clip	50	133020026	Junta de goma en la conexión de agua
21	110000039	Conexión de Cable	51	112100021	Détecteur de débit
22	136020119	Junta de goma	52	108110011	Tapa de caja electrica
23	108050215	Placa de soporte de la caja de cable.	53	108010007	Clip del condensador
24	108030240	Caja de cablecable	54	111000020	Condensador de compresor
25	115000002	Bornas de conexión	55	11220182	Carte électronique
26	136010004	Clip de fixation sonde	56	112200064	transformador
27	115000060	Bornier de connexion	57	108050192	Coffret électrique
28	103000202	Tubería de distribución	58	108050193	Cuadro eléctrico
29	108050195	Panel trasero	59	111000006	Condensador de ventilador
30	133020010	Clip sonda Tª ambiente	60	104000001	Contattore AC

9.Mantenimiento

Advertencia !

-Antes de cualquier trabajo de mantenimiento en el aparato, debe cortar el suministro eléctrico ya que existe el riesgo de descarga eléctrica que puede causar daños materiales, lesiones graves o incluso la muerte.

- Se recomienda que el aparato sea sometido a un servicio general al menos una vez al año para asegurar su correcto funcionamiento, mantener los niveles de rendimiento y evitar posibles averías, estas operaciones son realizadas por cuenta del usuario, por un técnico cualificado. realizado por un técnico cualificado.

-Para que el mantenimiento sea realizado por un técnico calificado, lea las instrucciones de seguridad en las páginas anteriores proporcionadas en el capítulo titulado "mantenimiento: advertencias relativas a los aparatos que contienen refrigerante R32" antes de realizar cualquiera de las operaciones de mantenimiento descritas a continuación.

(1) Debe revisar regularmente el sistema del abastecimiento del agua para evitar que el aire entra al sistema y el estado del flujo bajo de agua, ya que estas averías reducirán el rendimiento y la fiabilidad de la unidad de la bomba de calor.

(2) Debe limpiar regularmente sus piscinas y el sistema de filtración para evitar el daño a la unidad como la suciedad obstruir el filtro.

(3) En otras palabras, debe chequear las unidades por completo y llenar el sistema con agua completamente antes de que la unidad comience a funcionar de nuevo.

(4) Después de acondicionar la unidad para la temporada de invierno, se recomienda cubrir la bomba de calor con bomba de calor especial de invierno.

(5) Cuando la unidad está funcionando, hay todo el tiempo un poco de descarga de agua debajo de la unidad.o

(6) Tabla de mapeo de presión y temperatura R32



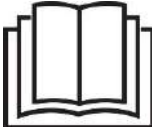

Condición	Power OFF			
	Moins 5-5 °C	5-15 °C	15-25 °C	25-35+ °C
Temperatura ambiente				
Temperatura de agua	/	/	/	/
Lectura del manómetro	0.68-0.93 MPa	0.93-1.25 MPa	1.25-1.64 MPa	1.64-2.1 MPa

Condición	Correr (Calefaccion)				
	/	/	/	/	/
Temperatura ambiente					
Temperatura de agua	10-15 °C	15-20 °C	20-25 °C	25-30 °C	30-35+ °C
Lectura del manómetro	1.3-1.8 MPa	1.5-1.9 MPa	1.6-2.3 MPa	1.9-2.8 MPa	2.1-3.5 MPa

(7)Vacíe siempre el agua de la bomba de calor durante el invierno o cuando la temperatura ambiente descienda por debajo de 0 °C; de lo contrario, el intercambiador de titanio se dañará por congelación, en tal caso, perderá la garantía.



AVERTISSEMENTS

	Ce symbole indique que de plus amples informations sont disponibles dans le Manuel d'utilisation ou dans le Manuel d'installation.		Ce symbole indique que l'appareil utilise du R32, un réfrigérant à faible vitesse de combustion.
	Ce symbole indique que le Manuel d'utilisation doit être lu avec attention.		Ce symbole indique qu'un technicien de maintenance doit manipuler cet équipement conformément au Manuel d'utilisation.

AVERTISSEMENTS GÉNÉRAUX

- Le non-respect des avertissements pourrait causer des dommages à l'équipement de la piscine ou entraîner de graves blessures, voire la mort.
- Seule une personne qualifiée dans les domaines techniques concernés (électricité, hydraulique ou frigorifique), est habilitée à faire la maintenance ou la réparation de l'appareil. Le technicien qualifié intervenant sur l'appareil doit utiliser/porter un équipement de protection individuel (tels que lunettes de sécurité, gants de protection, etc...) afin de réduire tout risque de blessure qui pourrait survenir lors de l'intervention sur l'appareil.
- Avant toute intervention sur l'appareil, s'assurer que celui-ci est hors tension et consigné.
- Cet appareil n'est pas prévu pour être utilisé par des personnes (y compris les enfants) dont les capacités physiques, sensorielles ou mentales sont réduites, ou des personnes dénuées d'expérience ou de connaissance, sauf si elles ont pu bénéficier, par l'intermédiaire d'une personne responsable de leur sécurité, d'une surveillance ou d'instructions préalables concernant l'utilisation de l'appareil. Il convient de surveiller les enfants pour s'assurer qu'ils ne jouent pas avec l'appareil.
- Cet appareil peut être utilisé par des enfants âgés d'au moins 8 ans et par des personnes ayant des capacités physiques, sensorielles ou mentales réduites ou dénuées d'expérience ou de connaissance, s'ils (si elles) sont correctement surveillé(e)s ou si des instructions relatives à l'utilisation de l'appareil en toute sécurité leur ont été données et si les risques encourus ont été appréhendés. Le nettoyage et l'entretien par l'utilisateur ne doivent pas être effectués par des enfants sans surveillance.
- L'installation de l'appareil doit être réalisée conformément aux instructions du fabricant et dans le respect des normes locales et nationales en vigueur. L'installateur est responsable de l'installation de l'appareil et du respect des réglementations nationales en matière d'installation. En aucun cas le fabricant ne pourra être tenu pour responsable en cas de non-respect des normes d'installation locales en vigueur.
- Pour toute autre action que l'entretien simple par l'utilisateur décrit dans cette notice, le produit doit être entretenu par un professionnel qualifié.
- Toute mauvaise installation et/ou utilisation peut entraîner des dégâts matériels, ou corporels sérieux (pouvant entraîner un décès),
- En cas de dysfonctionnement de l'appareil : ne pas tenter de réparer l'appareil par vous-même et contacter un technicien qualifié.
- Toute désactivation, élimination ou contournement de l'un des éléments de sécurité intégrés à l'appareil annule automatiquement la garantie, tout comme l'utilisation de pièces de remplacement provenant d'un fabricant tiers non autorisé.

- Ne pas vaporiser d'insecticide ou autre produit chimique (inflammable ou non-inflammable) vers l'appareil, il pourrait détériorer la carrosserie et provoquer un incendie.
- Ne pas toucher le ventilateur ou les pièces mobiles et ne pas insérer d'objets ou vos doigts à proximité des pièces mobiles lorsque l'appareil est en fonctionnement. Les pièces mobiles peuvent causer des blessures sérieuses voire la mort.
- Veuillez conserver le contrôleur d'affichage dans un endroit sec ou bien fermer le couvercle isolant pour éviter que le contrôleur d'affichage ne soit endommagé par l'humidité.

AVERTISSEMENTS LIÉS À DES APPAREILS ÉLECTRIQUES

- L'alimentation électrique de l'appareil doit être protégée par un Dispositif de protection à courant Différentiel Résiduel (DDR) de 30 mA dédié, en conformité avec les normes en vigueur du pays d'installation.
- Ne pas utiliser de rallonge pour brancher l'appareil ; connecter l'appareil directement à un circuit d'alimentation adapté.
- Avant toute opération, vérifier que :
 - La tension indiquée sur la plaque signalétique de l'appareil correspond bien à celle du réseau,
 - Le réseau d'alimentation convient à l'utilisation de l'appareil, et qu'il dispose d'une prise à la terre,
 - La fiche d'alimentation s'adapte à la prise de courant.
- Ne pas débrancher et rebrancher l'appareil en cours de fonctionnement.
- Ne pas tirer sur le câble d'alimentation pour le débrancher.
- Si le câble d'alimentation est abîmé, il doit être impérativement remplacé par le fabricant, son agent technique ou une personne qualifiée afin de garantir la sécurité.
- Ne pas réaliser d'entretien ou de maintenance de l'appareil les mains mouillées ou si l'appareil est mouillé.
- Avant de connecter l'appareil à la source d'alimentation, vérifier que bloc de raccordement ou la prise d'alimentation à laquelle l'appareil sera connecté est en bon état et qu'il n'est pas endommagé ni rouillé.
- Par temps orageux, déconnecter l'appareil de l'alimentation électrique pour éviter qu'il ne soit endommagé par la foudre.
- Ne pas plonger l'appareil dans l'eau ou la boue

AVERTISSEMENTS LIÉS AUX APPAREILS CONTENANT DU FLUIDE FRIGORIGÈNE R32

- Le réfrigérant R32 est un réfrigérant de catégorie A2L, qui est considéré comme potentiellement inflammable.
- Ne pas décharger le fluide R32 dans l'atmosphère. Ce fluide est un gaz fluoré à effet de serre, couvert par le protocole de Kyoto, avec un Potentiel de chauffage global (GWP) = 675 (réglementation européenne UE 517/2014).
- Installer l'unité à l'extérieur. Ne pas installer l'unité à l'intérieur ou dans un endroit clôt et non aéré en extérieur.
- L'appareil doit être stocké dans une pièce sans source d'étincelle en fonctionnement permanent (par exemple : flammes à l'air libre, appareil à gaz en fonctionnement ou chauffage électrique en fonctionnement).
- Ne pas percer, ni incinérer.
- À noter que le réfrigérant R32 peut dégager une certaine odeur.
- Afin de se conformer aux normes et aux réglementations pertinentes en matière d'environnement et d'installation, notamment au décret N° 2015-1790 et/ou à la réglementation européenne UE 517/2014, une recherche de fuite doit être effectuée sur le circuit de refroidissement au moins une fois par an. Cette opération doit être effectuée par un spécialiste certifié des appareils de refroidissement.
- Merci de conserver l'afficheur dans un endroit sec ou fermer son couvercle pour éviter que l'afficheur ne soit endommagé par l'humidité.

MAINTENANCE : AVERTISSEMENTS LIÉS AUX APPAREILS CONTENANT DU RÉFRIGÉRANT R32

- Pendant la phase d'entretien de l'appareil, la composition et l'état du fluide caloporteur seront contrôlés, ainsi que l'absence de trace de réfrigérant.
- Pendant le contrôle annuel d'étanchéité de l'appareil, conformément aux lois en vigueur, vérifier que les pressostats haute et basse pression sont raccordés correctement sur le circuit frigorifique et qu'ils coupent le circuit électrique en cas de déclenchement.
- Pendant la phase de maintenance, s'assurer qu'il n'y a pas de traces de corrosion ou de taches d'huile autour des composants frigorifiques.
- Ne pas braser ou souder le tuyau s'il y a du réfrigérant à l'intérieur de la machine. Veuillez ne pas charger le gaz dans un espace confiné.

Vérification de la zone

- Avant de commencer à travailler sur des systèmes contenant des fluides frigorigènes inflammables, des contrôles de sécurité sont nécessaires pour garantir que le risque d'étincelle soit réduit.

Procédure de travail

- Les travaux doivent être effectués selon une procédure contrôlée afin de réduire le risque de libération d'un gaz ou de vapeur inflammable pendant les travaux.
- Avant toutes interventions sur le circuit frigorifique, il est impératif d'arrêter l'appareil et d'attendre quelques minutes avant la pose de capteurs de température ou de pression, certains équipements comme le compresseur et les tuyauteries peuvent atteindre des températures supérieures à 100°C et des pressions élevées pouvant entraîner de graves brûlures.

Zone générale de travail

- Tout le personnel de maintenance et les autres personnes travaillant dans la zone proche doivent être tenus au courant des travaux effectués. Les travaux dans des espaces confinés doivent être évités.

Vérification de la présence de réfrigérant

- La zone doit faire l'objet d'une vérification par un détecteur de réfrigérant approprié avant et pendant les travaux, afin que le technicien soit averti de la présence d'une atmosphère potentiellement toxique ou inflammable. S'assurer que l'équipement de détection des fuites utilisé est adapté à l'utilisation de tous les réfrigérants concernés, c'est-à-dire qu'il ne peut provoquer d'étincelle, est correctement isolé ou parfaitement sûr.

Présence d'un extincteur

- Si des travaux impliquant une certaine température doivent être effectués sur l'équipement frigorifique ou sur toute pièce associée, un équipement d'extinction des incendies approprié doit se trouver à portée de main. Mettre en place un extincteur à poudre ou à CO₂ à proximité de la zone de travail.

Absence de source d'ignition

- Aucune personne effectuant des travaux sur un système frigorifique et devant exposer la tuyauterie ne doit utiliser une quelconque source d'étincelle qui pourrait représenter un risque d'incendie ou d'explosion. Toutes les sources possibles d'étincelle, notamment une cigarette, doivent être gardées suffisamment à distance du site d'installation, de réparation, de retrait ou d'élimination, lorsque du réfrigérant peut potentiellement être libéré dans l'espace environnant. Avant les travaux, la zone autour de l'équipement doit être examinée afin de s'assurer qu'elle ne comporte pas de risque d'incendie ou de risque d'étincelle. Des panneaux « Interdiction de fumer » doivent être affichés.

Ventilation de la zone

- Avant d'accéder à l'unité d'une quelconque manière que ce soit pour y effectuer n'importe quel entretien, s'assurer que la zone est ouverte et bien aérée. Une aération appropriée, permettant une dispersion en toute sécurité de tout réfrigérant qui pourrait être libéré dans l'atmosphère, doit être maintenue pendant l'entretien de l'unité.

Vérification de l'équipement de réfrigération

- Les recommandations en matière d'entretien et de maintenance du fabricant doivent toujours être respectées. Lors du remplacement de composants électriques, s'assurer de n'utiliser que des composants du même type et de même catégorie, qui sont recommandés/approuvés par le fabricant. En cas de doute, consulter le service technique du fabricant pour obtenir de l'aide.
- Les vérifications suivantes doivent être appliquées aux installations utilisant des réfrigérants inflammables :
 - les marquages sur l'équipement doivent rester visibles et lisibles, tout marquage ou signal illisible doit être corrigé ;
 - les tuyaux ou composants frigorifiques sont installés dans une position où il est peu probable qu'ils soient exposés à toute substance qui pourrait corroder des composants contenant du réfrigérant, sauf si les composants sont fabriqués dans des matériaux normalement résistants à la corrosion ou correctement protégés contre une telle corrosion.

Vérification des composants électriques

- La réparation et la maintenance des composants électriques doivent comporter des contrôles de sécurité initiaux et des procédures d'inspection des composants. Si une défaillance pouvant compromettre la sécurité survient, aucune alimentation électrique ne doit être branchée au circuit jusqu'à ce qu'elle soit entièrement résolue. Si la défaillance ne peut être corrigée immédiatement, mais que les travaux doivent se poursuivre, une solution temporaire adaptée doit être trouvée. Ceci doit être signalé au propriétaire de l'équipement afin que toutes les personnes concernées soient averties.
- La réparation et la maintenance des composants électriques doivent inclure les contrôles de sécurité initiaux suivants :
 - les condensateurs sont déchargés : ceci doit être effectué en toute sécurité afin d'éviter toute possibilité d'étincelle ;
 - aucun composant électrique, ni aucun câblage alimenté n'est exposé pendant la charge, la remise en état ou la purge du système ;
 - le raccordement à la terre doit être présent en continu.

Réparation sur les composants isolés

- Lors de réparations sur des composants isolés, toutes les alimentations électriques doivent être débranchées de l'équipement sur lequel les travaux sont effectués avant tout retrait de couvercle d'isolement, etc. Si l'équipement doit absolument être alimenté en électricité pendant l'entretien, un dispositif de détection des fuites fonctionnant en permanence doit être placé au point le plus critique afin de signaler toute situation potentiellement dangereuse.
- Il convient de faire particulièrement attention aux points suivants afin de s'assurer que, lors de travaux sur des composants électriques, le boîtier n'est pas altéré au point d'affecter le niveau de protection. Ceci doit inclure les câbles endommagés, un nombre excessif de branchements, des bornes non conformes aux caractéristiques d'origine, les joints endommagés, une installation incorrecte des presse-étoupes, etc.
- S'assurer que l'appareil est correctement fixé.
- S'assurer que les joints ou les matériaux d'isolement ne se sont pas dégradés au point qu'ils n'empêchent plus une atmosphère inflammable de pénétrer dans le circuit. Les pièces de rechange doivent être conformes aux caractéristiques du fabricant.

Réparation des composants intrinsèquement sûrs

- N'appliquer aucune charge d'induction ou de capacité électrique permanente au circuit sans s'assurer que celle-ci n'excède pas la tension et l'intensité autorisées pour l'équipement en cours d'utilisation.
- Les composants normalement sûrs sont les seuls types sur lesquels il est possible de travailler en présence d'une atmosphère inflammable lorsqu'ils sont alimentés. L'appareil de test doit appartenir à la classe adaptée.
- Ne remplacer les composants que par des pièces spécifiées par le fabricant. D'autres pièces pourraient enflammer le réfrigérant dans l'atmosphère en raison d'une fuite.

Câblage

- Vérifier que le câblage ne présente pas d'usure, de corrosion, de pression excessive, de vibration, de bord coupant ou tout autre effet environnemental négatif. Le contrôle doit également prendre en compte les effets du vieillissement ou de vibrations en continu provoquées par des sources telles que des compresseurs ou des ventilateurs.

Détection de fluide réfrigérant inflammable

- En aucun cas, des sources potentielles d'étincelle ne doivent être utilisées pour la recherche ou la détection de fuites de réfrigérant. Une lampe haloïde (ou tout autre détecteur utilisant une flamme nue) ne doit pas être utilisée.
- Les méthodes de détection de fuite suivantes sont considérées comme acceptables pour tous les systèmes frigorifiques.
- Les détecteurs de fuite électroniques peuvent être utilisés pour détecter des fuites de réfrigérant mais, en cas de réfrigérant inflammable, il se peut que la sensibilité ne soit pas adaptée ou nécessite un nouvel étalonnage. (L'équipement de détection doit être étalonné dans un endroit ne présentant aucun réfrigérant.) S'assurer que le détecteur n'est pas une potentielle source d'étincelle et est adapté au réfrigérant utilisé. L'équipement de détection des fuites doit être réglé à un pourcentage du LFL du réfrigérant et doit être étalonné en fonction du réfrigérant employé. Le pourcentage de gaz approprié (25 % au maximum) doit être confirmé.
- Les fluides de détection de fuites sont également adaptés pour une utilisation sur la plupart des réfrigérants, mais l'utilisation de détergents contenant du chlore doit être évitée, car il pourrait réagir avec le réfrigérant et corroder la tuyauterie en cuivre.
- Si une fuite est suspectée, toutes les flammes nues doivent être supprimées/éteintes.
- Si une fuite de réfrigérant est détectée et nécessite un brasage, tout le réfrigérant doit être retiré du système ou isolé (par le biais de vannes de fermeture) dans une partie du système à l'écart de la fuite.

Retrait et évacuation

- Lors d'un accès au circuit frigorifique pour effectuer des réparations, ou pour toute autre raison, des procédures conventionnelles doivent être utilisées. Cependant, pour des réfrigérants inflammables, il est essentiel de suivre les recommandations car l'inflammabilité est à prendre en compte. La procédure qui suit doit être respectée :

Retirer le réfrigérant ;

Purger le circuit avec un gaz inerte (facultatif pour l'A2L) ;

Evacuer (facultatif pour l'A2L) ;

Purger avec un gaz inerte (facultatif pour l'A2L) ;

Ouvrir le circuit par découpe ou brasage.

- La charge en réfrigérant doit être récupérée dans les bouteilles de récupération appropriées. Pour les appareils contenant des réfrigérants inflammables autres que des réfrigérants A2L, le système doit être purgé par de l'azote dépourvu d'oxygène pour rendre l'appareil apte à recevoir des réfrigérants inflammables. Il peut être nécessaire de répéter ce processus plusieurs fois. De l'air comprimé ou de l'oxygène ne doivent pas être utilisés pour purger des systèmes frigorifiques.

Procédures de chargement

- S'assurer que la sortie de la pompe à vide ne se trouve pas à proximité de toute source potentielle d'étincelle et qu'une aération est disponible.
- En plus des procédures de charge conventionnelles, les exigences suivantes doivent être respectées.
- S'assurer qu'aucune contamination entre différents réfrigérants n'est possible lors de l'utilisation d'un équipement de charge. Les flexibles ou les lignes doivent être aussi courts que possible afin de réduire la quantité de réfrigérant qu'ils contiennent.
- Les bouteilles doivent être maintenues dans une position appropriée, conforme aux instructions.
- S'assurer que le système frigorifique est relié à la terre avant de charger le système en réfrigérant.
- Étiqueter le système une fois la charge effectuée (si ce n'est pas déjà le cas).
- Faire particulièrement attention de ne pas trop remplir le système frigorifique.
- Avant de recharger le système, il faut y effectuer un test en pression à l'aide du gaz de purge approprié. Le système doit être examiné pour l'absence de fuite en fin de charge, mais avant la mise en service. Un test de fuite de suivi doit être effectué avant de quitter le site

Démantèlement

- Avant d'effectuer une procédure de démantèlement, il est indispensable que le technicien se soit bien familiarisé avec l'équipement et ses caractéristiques. Il est particulièrement recommandé de soigneusement récupérer l'intégralité des réfrigérants. Avant d'effectuer cette tâche, un échantillon d'huile et de réfrigérant doit être récupéré si des analyses s'avèrent nécessaires avant une autre utilisation du réfrigérant récupéré. Il est indispensable de vérifier la présence d'une alimentation électrique avant de débiter la tâche.

1. Se familiariser avec l'équipement et son fonctionnement.

2. Isoler électriquement le système.

3. Avant de débiter la procédure, s'assurer des points suivants :

Un équipement de manutention mécanique est disponible si nécessaire pour manipuler les bouteilles de réfrigérant ;

Tout l'équipement de protection individuelle est disponible et est correctement utilisé ;

Le processus de récupération est suivi à tout moment par une personne compétente ;

L'équipement et les bouteilles de récupération sont conformes aux normes concernées.

4. Évacuer le système frigorifique, si possible.

5. Si un vide ne peut être créé, mettre en place un collecteur afin de pouvoir retirer le réfrigérant depuis divers emplacements sur le système.

6. S'assurer que la bouteille se trouve sur les balances avant de commencer les opérations de récupération.

7. Démarrer la machine de récupération et la faire fonctionner conformément aux instructions.

8. Ne pas trop remplir les bouteilles (pas plus de 80 % du volume en charge liquide).

9. Ne pas dépasser la pression maximale de fonctionnement de la bouteille, même temporairement.

10. Lorsque les bouteilles ont été remplies correctement et que le processus est terminé, s'assurer que les bouteilles et l'équipement sont rapidement retirés du site et que les vannes d'isolement alternatives sur l'équipement sont fermées.

11. Le réfrigérant récupéré ne doit pas être chargé dans un autre système frigorifique, à moins qu'il ait été nettoyé et contrôlé.

DÉPANNAGE

- Toute intervention de brasage devra être réalisée par des braseurs qualifiés.

• Le remplacement de tuyauteries ne pourra être réalisé qu'avec du tube cuivre conforme à la norme NF EN 12735-1.

- Détection de fuites, cas de test sous pression :

Ne jamais utiliser d'oxygène ou d'air sec, risques d'incendie ou d'explosion,

Utiliser de l'azote déshydratée ou un mélange d'azote et de réfrigérant indiqué sur la plaque signalétique,

La pression du test coté basse et haute pression ne doit pas dépasser 42 bars dans le cas où l'appareil est équipé de l'option manomètre.

- Pour les tuyauteries du circuit haute pression réalisées avec du tube cuivre d'un diamètre = ou > à 1"5/8, un certificat §2.1 suivant la norme NF EN 10204 sera à demander au fournisseur et à conserver dans le dossier technique de l'installation.
- Les informations techniques relatives aux exigences de sécurités des différentes directives appliquées, sont indiquées sur la plaque signalétique. Toutes ces informations doivent être enregistrées sur la notice d'installation de l'appareil qui doit figurer dans le dossier technique de l'installation : modèle, code, numéro de série, TS maximum et minimum, PS, année de fabrication, marquage CE, adresse du fabricant, réfrigérant et poids, paramètres électriques, performances thermodynamique et acoustique.

ÉTIQUETAGE

- L'équipement doit être étiqueté, mentionnant qu'il a été mis hors service et que le réfrigérant a été vidangé.
- L'étiquette doit être datée et signée.
- Pour les appareils contenant un réfrigérant inflammable, veiller à ce que des étiquettes soient apposées sur l'équipement, indiquant qu'il contient un réfrigérant inflammable.

RÉCUPÉRATION

- Lors de la vidange du réfrigérant, pour l'entretien ou la mise hors service, il est recommandé de suivre les bonnes pratiques pour vidanger l'intégralité du réfrigérant en toute sécurité.
- Lors du transfert de réfrigérant dans une bouteille, veiller à utiliser une bouteille de récupération adaptée au réfrigérant. Veiller à prévoir le bon nombre de bouteilles pour récupérer l'intégralité du fluide. Toutes les bouteilles à utiliser doivent être conçues pour la récupération de réfrigérant et doivent être étiquetées pour ce réfrigérant spécifique. Les bouteilles doivent être équipées d'une soupape de dépression et de vannes d'arrêt en bon état de fonctionnement. Les bouteilles de récupération vides sont évacuées et, si possible, refroidies avant la récupération.
- L'équipement de récupération doit être en bon état de fonctionnement, les consignes d'utilisation de l'équipement doivent être à portée de main et l'équipement doit être adapté au réfrigérant concerné, y compris, le cas échéant, au réfrigérant inflammable. De plus, un ensemble de balances calibrées doivent être disponibles et en bon état de fonctionnement. Les tuyaux doivent être complets, ne pas présenter de fuite ni de raccord déconnecté, et doivent être en bon état. Avant d'utiliser la machine de récupération, vérifier qu'elle est en bon état de fonctionnement, qu'elle a été bien entretenue et que les composants électriques associés sont étanchéifiés afin d'éviter tout départ de feu en cas de libération de réfrigérant. En cas de doute, consulter le fabricant.
- Le réfrigérant récupéré doit être renvoyé au fournisseur de réfrigérant dans sa bouteille de récupération, avec une note de transfert de déchets. Ne pas mélanger différents fluides frigorigènes dans les unités de récupération, et en particulier dans les bouteilles.
- Si le compresseur est déposé ou que l'huile du compresseur est vidangée, vérifier que le réfrigérant a bien été évacué afin d'éviter qu'il ne se mélange au lubrifiant. Le processus de vidange doit être réalisé avant de renvoyer le compresseur au fournisseur. Seule la chauffe électrique du corps du compresseur peut être utilisée pour accélérer ce processus. Lorsque tous les liquides d'un système sont vidangés, cette opération doit être réalisée en toute sécurité.



Recyclage

Ce symbole requis par la directive européenne DEEE 2012/19/UE (directive relative aux déchets d'équipements électriques et électroniques) signifie que votre appareil ne doit pas être jeté à la poubelle. Il fera l'objet d'une collecte sélective en vue de sa réutilisation, de son recyclage ou de sa valorisation. S'il contient des substances potentiellement dangereuses pour l'environnement, celles-ci seront éliminées ou neutralisées. Renseignez-vous auprès de votre revendeur sur les modalités de recyclage.

FSN ON/OFF -5°C

Notice d'installation et d'utilisation

SOMMAIRE

1. Spécifications
2. Dimension
3. Installation et raccordement
4. Accessoires
5. Câblage électrique
6. Mise en service
7. Dépannage
8. Vue éclaté
9. Maintenance

Merci d'avoir choisi notre pompe à chaleur pour chauffer l'eau de votre piscine, elle va chauffer l'eau de votre piscine et la maintenir à une température constante lorsque la température ambiante est de -5 et 43 °C.



ATTENTION : Ce manuel contient toutes les informations nécessaires à l'utilisation et à l'installation de votre pompe à chaleur.

L'installateur doit lire le manuel et suivre attentivement les instructions d'utilisation, de mise en œuvre et de sécurité du produit. Veuillez conserver ce manuel tout au long de la durée de vie de l'appareil.

L'installateur est responsable de l'installation de l'appareil et du respect des instructions du fabricant et de la réglementation en vigueur. Le non-respect de ce manuel implique l'exclusion de toute garantie.

Le fabricant décline toute responsabilité des dommages occasionnés aux personnes, objets et des erreurs dues à l'installation dans de mauvaises conditions.

Toute utilisation à des fins non conformes à celles qui sont à l'origine de sa fabrication sera considérée comme dangereuse.

1. Spécifications

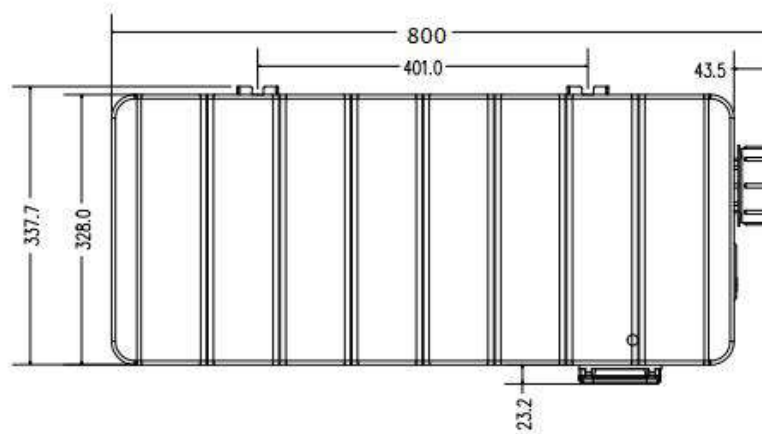
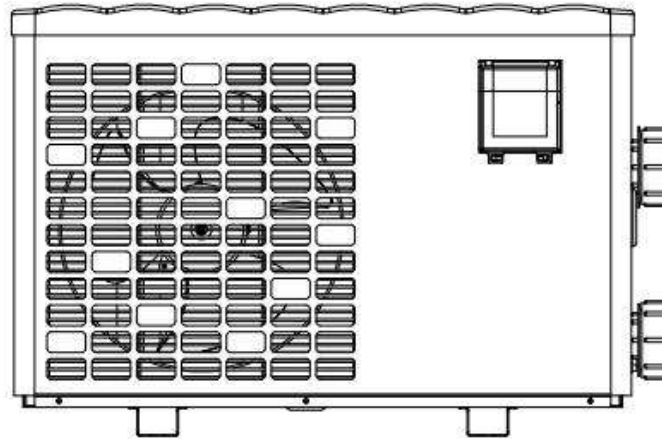
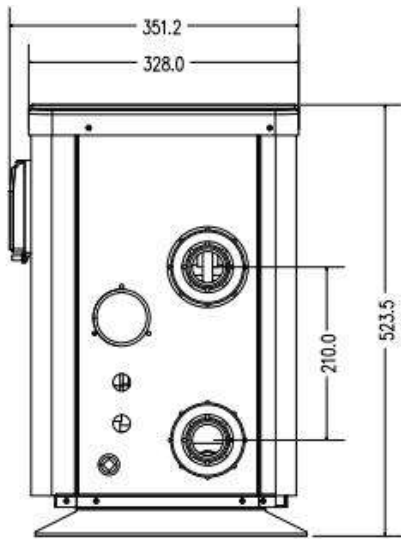
1.1 Données techniques

Modèle		74143	74144	74145	74146	74147
Code		FSN-05	FSN-08	FSN-11	FSN-14	FSN-17
* Performances de chauffage à air 28 °C, eau 28 °C, Humidité 80%						
Puissance restituée	kW	5	7.5	11	14	16.5
Consommation	kW	1	1.4	2.2	2.6	2.9
COP		5	5.4	5	5.4	5.7
* Performances de chauffage à air 15 °C, eau 26 °C, Humidité 70%						
Puissance restituée	kW	3.5	5.5	7.5	9.5	11.5
Consommation	kW	0.9	1.3	1.8	2.3	2.50
COP		4	4.4	4.3	4.2	4.6
* Informations générales						
Compresseur		Rotary/R32				
Voltage	V	220-240V/50Hz/1PH				
Courant Nominal	A	4.3	6.0	9.4	11.1	12.8
Fusible Conseillé	A	12	17	26	31	35
Débit d'eau conseillé mini (m3/h)	m³/h	2.5~3.2	2.5~3.7	3.5~7.1	4~7.9	4.6~9.3
Pression d'eau	Kpa	12	12	15	15	15
Echangeur thermique		Twisted Titanium exchanger in PVC				
Diamètre entrée-sortie	mm	50				
Nombre de ventilateur		1				
Type de ventilation		Horizontal				
Niveau de brut à 10m	dB(A)	31	32	35	37	37
Niveau de brut à 1m	dB(A)	49	50	52	54	54
Réfrigérant	g	400	550	950	1000	1000
Équivalent CO2	Tonne	0.27	0.37	0.64	0.68	0.68
* Dimension/Weight						
Poids net	Kg	38	48	54	72	76
Poids brut	Kg	40	50	56	76	84
Dimension	mm	800*360.9*523.5	977.6*396.2*571.5		1102.3*432.7*703.7	
Dimension d'emballage	mm	875*385*560	1055*420*605		1125*490*728	

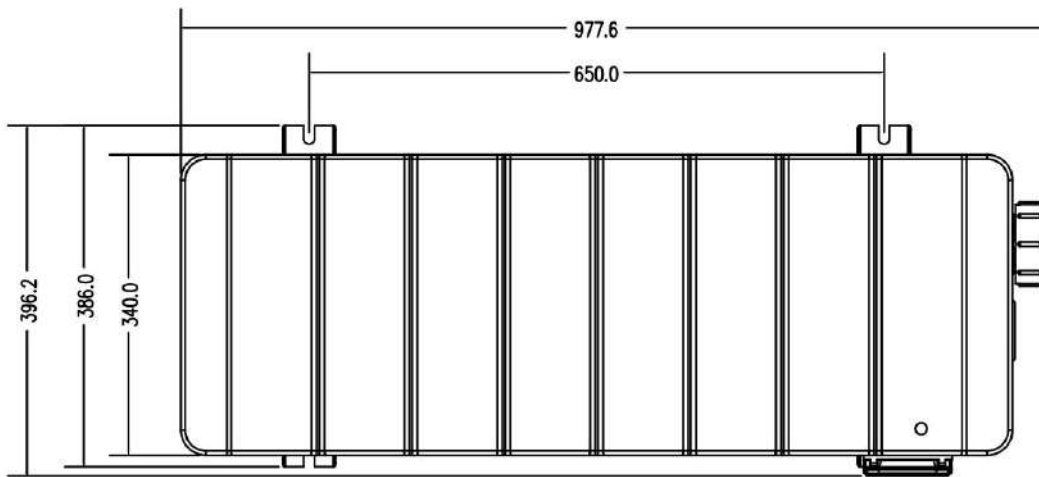
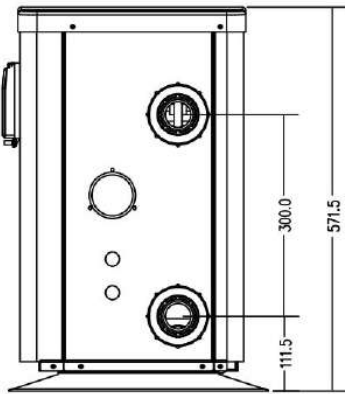
* Les données ci-dessus sont sujettes à modification sans préavis.

2. Dimension (mm)

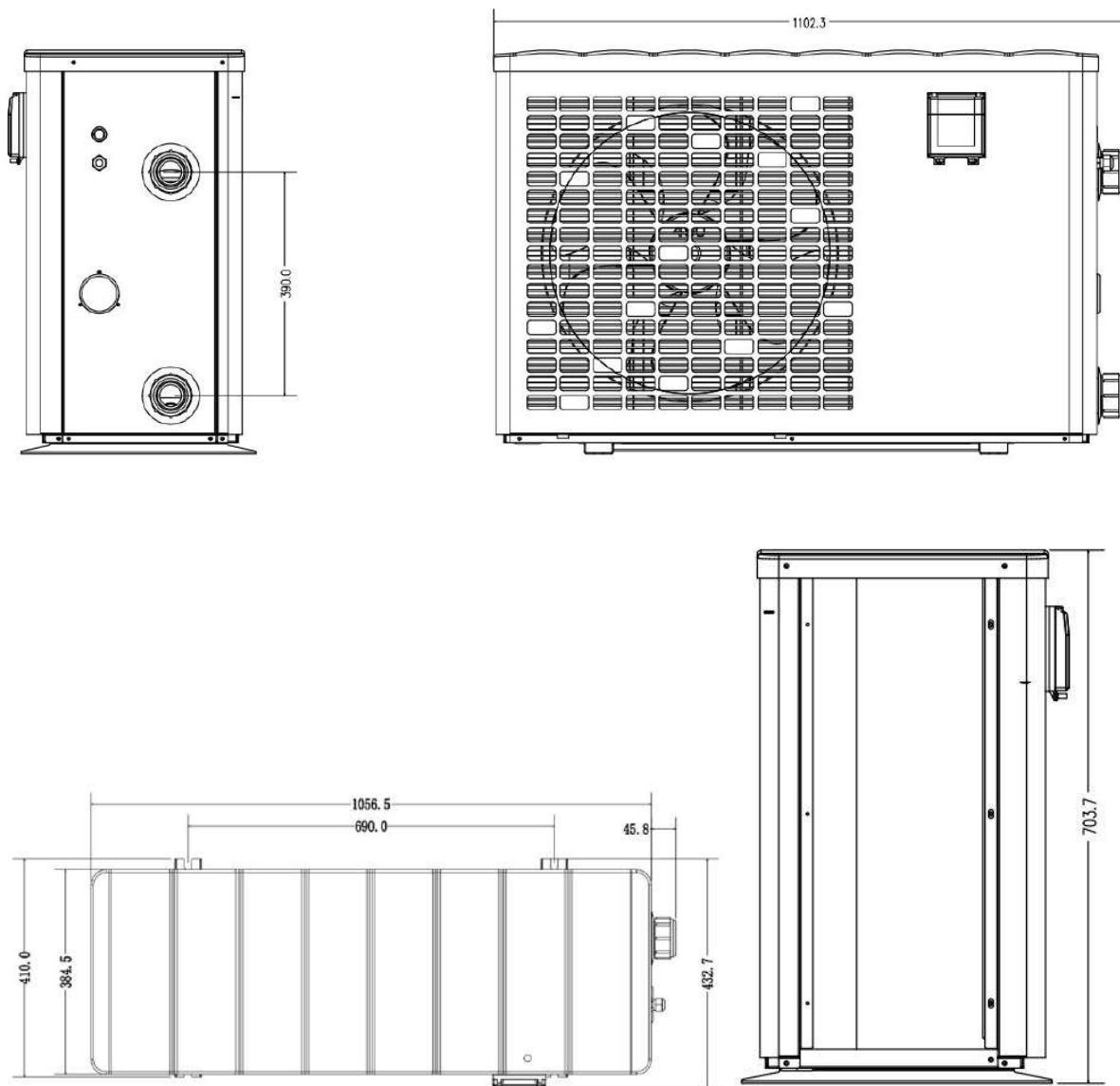
Modèle : FSN-05



Modèles : FSN-08 & FSN-11



Modèle : FSN-14 & FSN-17



3. Installation et raccordement

3.1 Installation

Seule la pompe à chaleur est fournie. Tous les autres éléments, y compris un by-pass, devront être fournis par l'utilisateur ou l'installateur.

ATTENTION :

Pendant l'installation, lisez s'il vous plait les indications ci-dessous :

1. Tous les systèmes de traitement, doivent être installés **en aval** de la pompe à chaleur piscine.
2. Installation d'un by-pass est préconisé pour ajuster le flux supportable par l'échangeur de chaleur de la pompe à chaleur.
3. Toujours fixer la pompe à chaleur piscine sur une base solide et utilisez les patins en caoutchouc fournis pour éviter la vibration et le bruit.
4. Manipuler la pompe à chaleur piscine en position verticale. Si la machine a été basculée, attendez au moins 24 heures avant de démarrer la pompe à chaleur.

3.2 Positionnement de la pompe à chaleur

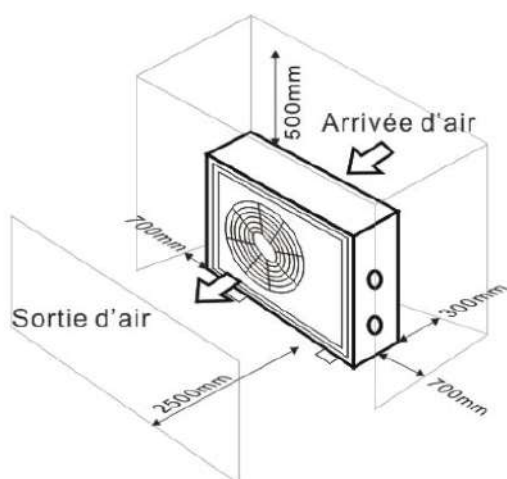
L'appareil peut être installé presque n'importe où à l'extérieur, à condition que les trois facteurs soient satisfaits :

1. Une bonne ventilation
2. Une alimentation électrique fiable
3. Un système d'eau recyclée

L'unité peut être installée en pratique n'importe quel endroit à l'extérieur et ce à condition que les distances minimales visualisées dans le schéma (ci-dessous) soient conformes. L'installation dans un endroit venteux ne pose aucun problème, sauf qu'il y a un réchauffeur de gaz se trouve à proximité (risques dus aux flammes).

ATTENTION: L'unité ne doit pas être installée dans une zone où la ventilation d'air est limitée ou dans des emplacements qui ne peuvent pas fournir de façon continue de l'air. Il faut s'assurer que l'entrée d'air ne puisse jamais être obstruée. Les feuilles et autres débris peuvent se coller sur l'évaporateur, ce qui réduit son efficacité et affectera sa durée de vie.

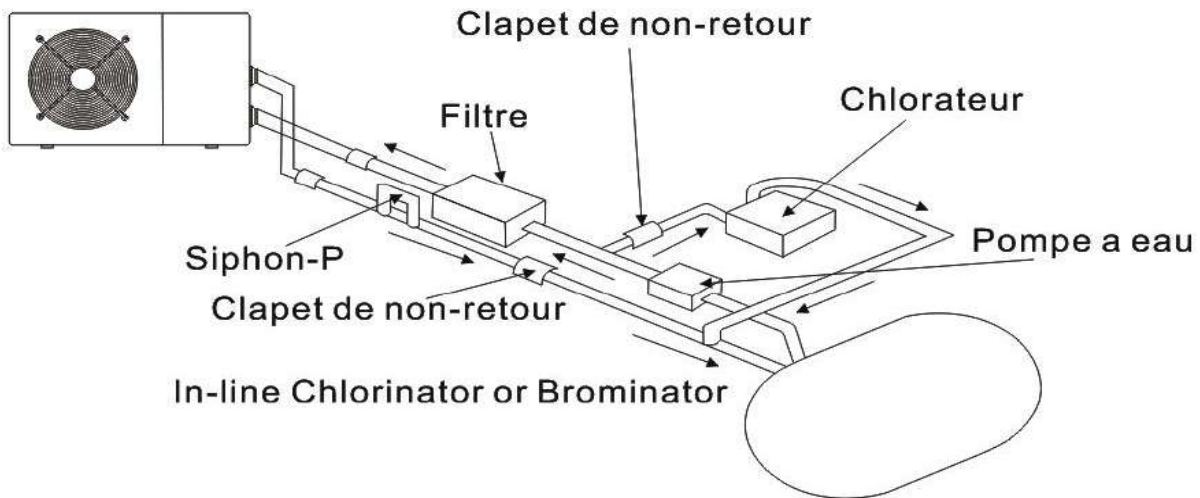
L'illustration ci-dessous montre la distance minimale requise de chaque côté de la pompe à chaleur de piscine.



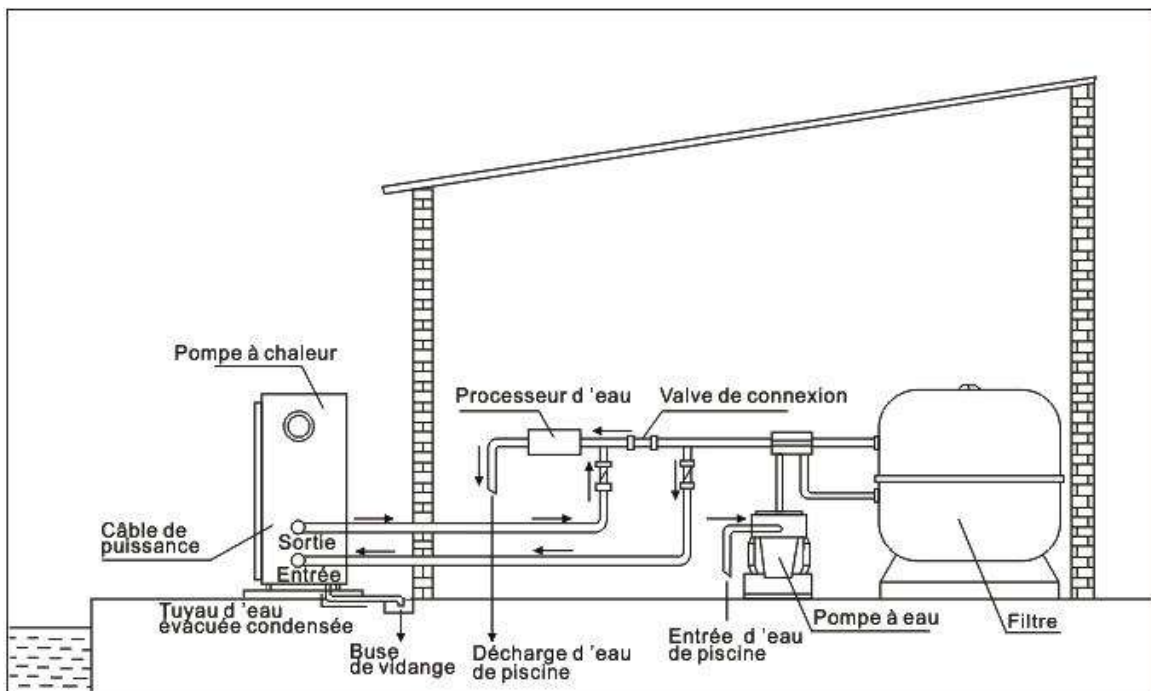
3.3 Installation du clapet anti-retour

Note: Si l'équipement de dosage automatique pour le chlore et l'acidité (pH) est utilisé, il est essentiel de protéger la pompe à chaleur contre les produits chimiques à concentration trop élevée qui pourraient corroder l'échangeur thermique. Pour cette raison, ce type d'équipement doit être installé **en aval** de la pompe à chaleur. Il est recommandé d'installer un clapet anti-retour pour empêcher un écoulement inverse en l'absence de circulation d'eau.

Les dommages induits par le non-respect de cette instruction ne sont pas couverts par la garantie.

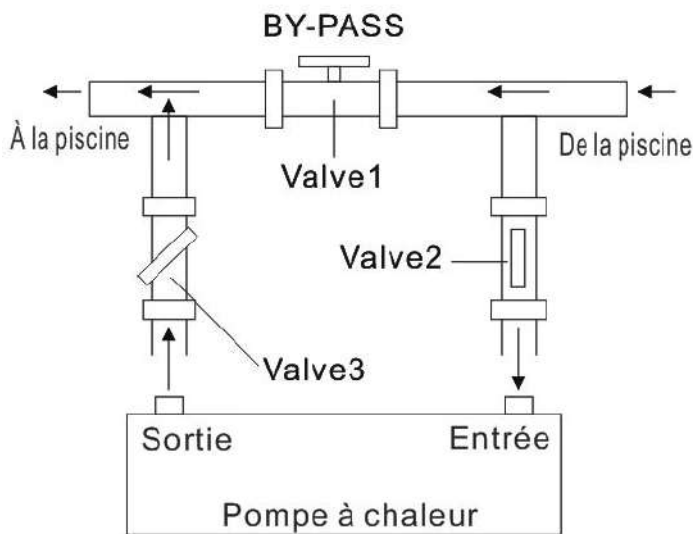


3.4 Installation



Note: Cet arrangement est seulement un exemple illustratif..

3.5 Ajustement du by-pass



Utilisez la procédure suivante pour ajuster le by-pass:

1. Vanne 1 grande ouverte. La vanne 2 et la vanne 3 sont fermées.
2. Ouvrez lentement la vanne 2 et la vanne 3 de moitié, puis fermez lentement la vanne 1 pour augmenter le débit d'eau vers la vanne 2 et la vanne 3
3. Si l'affichage indique 'ON' ou 'EE3', cela signifie que le débit d'eau dans la pompe à chaleur n'est pas suffisant, alors vous devez ajuster les vannes pour augmenter le débit d'eau à travers la pompe à chaleur

Comment obtenir le débit d'eau optimal:

Continuez à ajuster le by-pass, vérifiez la température de l'eau d'entrée & de sortie, le débit est optimal lorsque la différence est d'environ 2 degrés, (la machine ne peut pas démarrer si le débit d'eau est insuffisant).

3.6 Raccordement électrique

L'alimentation électrique pour la pompe à chaleur doit provenir, préférablement, d'un circuit exclusif avec des composants de protection réglementaires (protection par différentiel 30mA) et un interrupteur magnétothermique.

- L'installation électrique doit être réalisée par un professionnel spécialisé (électricien) conformément aux normes et réglementation en vigueur dans le pays d'installation.
- Le circuit de la pompe à chaleur doit être uni à un circuit de prise de terre de sécurité, au niveau du bloc terminal.
- Les câbles doivent être installés correctement, de façon à prévenir les interférences.
- La pompe est prévue pour son raccordement à une alimentation générale avec prise de terre.
- Section du câble ; Cette section est indicative et doit être vérifiée et adaptée selon les besoins et les conditions d'utilisation.
- La tolérance de variation de tension acceptable est de +/- 10% lors du fonctionnement.

Disjoncteur : Est un moyen pour couper l'alimentation électrique (disjoncteur, interrupteur à fusibles) doit être en vue et facilement accessible de l'unité. C'est une pratique courante et de sécurité pour les pompes à chaleur résidentielles. Il permet la mise hors tension et d'isoler l'alimentation à l'unité alors que l'appareil est en réparation.

- Des borniers mal serrés peuvent créer un échauffement et un arc électrique, ce qui peut endommager le coffret électrique.

- Seul un technicien qualifié et expérimenté est autorisé à effectuer des travaux de câblage dans l'appareil, remplacer le fil d'alimentation.

Avant de raccorder l'unité, vérifiez que la tension d'alimentation correspond à la tension de fonctionnement de la pompe à chaleur.

Il est recommandé de raccorder la pompe à chaleur directement à son propre fusible ou disjoncteur (type lent; courbe D) et d'utiliser un câblage de diamètre adéquat.

Connectez les fils électriques au bornier marqué «POWER SUPPLY».

Un deuxième bornier marqué «POMPE À EAU» est situé à côté du premier. La pompe de filtration (max. 5 A 0 V) peut être connectée ici au deuxième bornier. Cela permet de piloter la pompe de filtration par la pompe à chaleur.



3.7 Mise en service initiale de l'unité

Une fois que toutes les connexions ont été faites, merci de suivre ces étapes:

- (1) Allumez votre pompe de filtration, vérifiez les fuites d'eau et le débit de la piscine
- (2) Activez l'alimentation électrique de l'appareil, puis appuyez sur la touche ON / OFF du contrôleur.
- (3) Après un fonctionnement de quelques minutes, assurez-vous que l'air ventilé (en face avant) est froid.
- (4) Lorsque vous désactivez la pompe de filtration, l'unité doit également être désactivée automatiquement, sinon, veuillez contrôler le commutateur de débit.
- (5) Laissez l'unité et la pompe fonctionner 24 heures par jour jusqu'à ce que l'eau atteigne la température souhaitée. Lorsque l'eau atteint la valeur de température fixée +1°C, la pompe à chaleur de piscine va s'arrêter. Lorsque la température de la piscine descend en dessous de 1°C de la valeur souhaitée, la pompe va redémarrer (aussi longtemps que la pompe de filtration est en fonctionnement). Exemple : Si vous paramétrez 28°C, la pompe à chaleur s'arrête dès qu'elle atteint 29°C et elle redémarrera quand la température passera en dessous 27°C.

En fonction de la température initiale de l'eau dans la piscine et la température de l'air, il est nécessaire de faire fonctionner l'installation pendant plusieurs jours pour chauffer l'eau à la température souhaitée.

Une bonne protection de la piscine (couverture, bâche solaire) peut réduire considérablement la durée requise.

Commutateur de débit d'eau:

L'unité est équipée d'un détecteur de débit d'eau pour s'assurer que la pompe à chaleur fonctionne avec un débit d'eau suffisant. Il est activé lorsque la pompe de filtration de la piscine fonctionne et il s'éteint lorsque la pompe s'arrête.

Temporisé:

L'unité est équipée d'une protection intégrée de redémarrage temporisée de 3 minutes. La temporisation est une partie intégrante du circuit de commande et de protection du compresseur. La fonction de temporisation interdit tout redémarrage automatiquement de l'appareil (pendant environ 3 minutes) après chaque interruption du circuit de commande. Même une brève interruption de courant active la temporisation de 3 minutes et empêche le redémarrage de l'appareil jusqu'à ce que le compte à rebours de 3 minutes soit terminé.

3.8 Condensation

L'air aspiré dans la pompe à chaleur est fortement refroidi par le cycle de fonctionnement de l'unité pour chauffer l'eau de la piscine, ce qui provoque la condensation sur les ailettes de l'évaporateur. Le taux de condensation peut être aussi élevé que plusieurs litres par heure avec une humidité relativement élevée. Ceci est parfois considéré à tort comme une fuite d'eau.

4. Accessoires**4.1 Liste des accessoires**

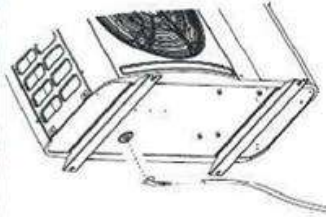
 <p>Patin caoutchouc anti-vibration, 4 pcs</p>	 <p>Connecteur d'évacuation, 2 pcs</p>	 <p>Couvercle de protection, qté 1</p>
 <p>Couverture d'hivernage, 1 pc</p>	 <p>Tuyaux de drainage de l'eau, 2pcs</p>	 <p>Fil de la commande déportée longueur 10m, qté 1</p>

4.2 Installation des accessoires



Patin caoutchouc anti-vibration

1. Prenez les patins caoutchoucs
2. Déposez-les un par un sous les pieds de la machine.



Connecteur d'évacuation

1. Installez le connecteur d'évacuation sous la machine.
2. Connectez un tuyau d'eau pour évacuer l'eau.

Note: Inclinez la pompe à chaleur comme la photo montre. Ne basculer pas la pompe à chaleur, sinon cela va endommager le compresseur.



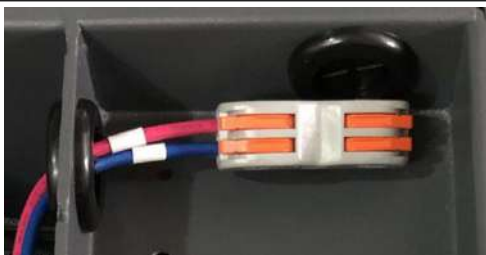
Connecteurs d'admission et de sortie d'eau

1. Installez les raccords comme la photo montre
2. Vissez sur l'entré et la sortie d'eau.



Cable d'alimentation

1. Passez le câble d'alimentation à travers le presse étoupe.
2. Raccordez les fils dans le bornier électrique en L N E.

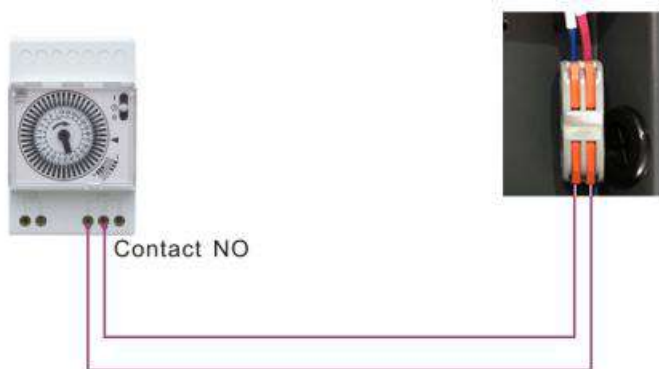


Pilotage de la filtration (contact sec)

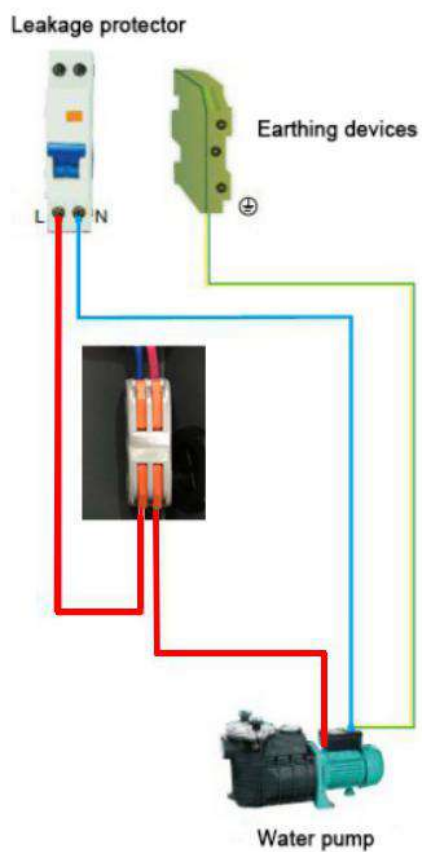
1. Connectez 1 et 2, vous pouvez piloter la filtration via la minuterie de la filtration (contact sec)
2. Raccordez-vous à l'horloge sur l'entrée marche forcé.

Raccordement pour déclencher l'horloge de la filtration

Minuteur



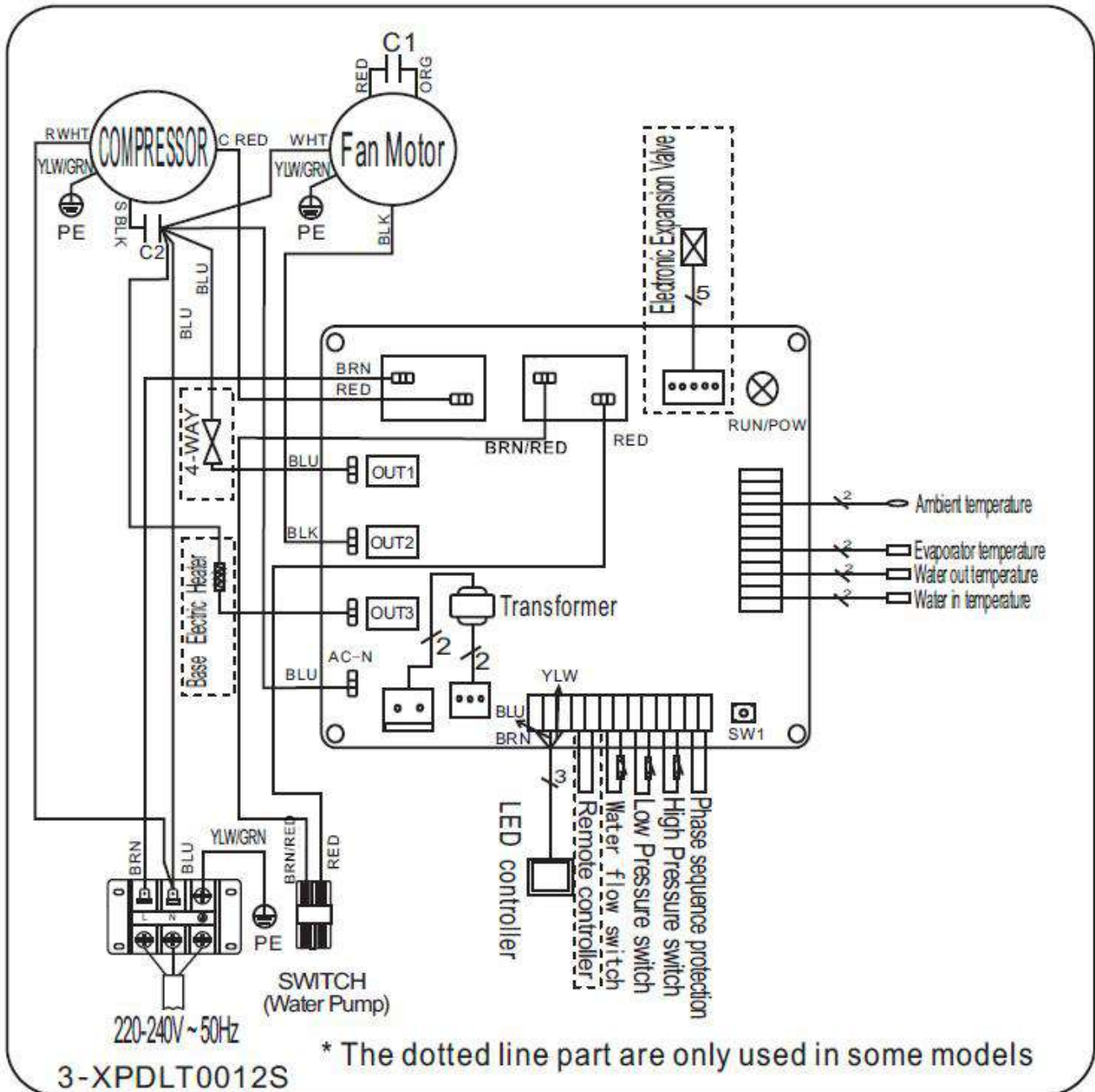
Raccordement direct pour le pilotage de la pompe de filtration



5. Câblage Electrique

5.1 Schéma de câblage de la pompe à chaleur

FSN-05 / FSN-08 / FSN-11



FSN-05:

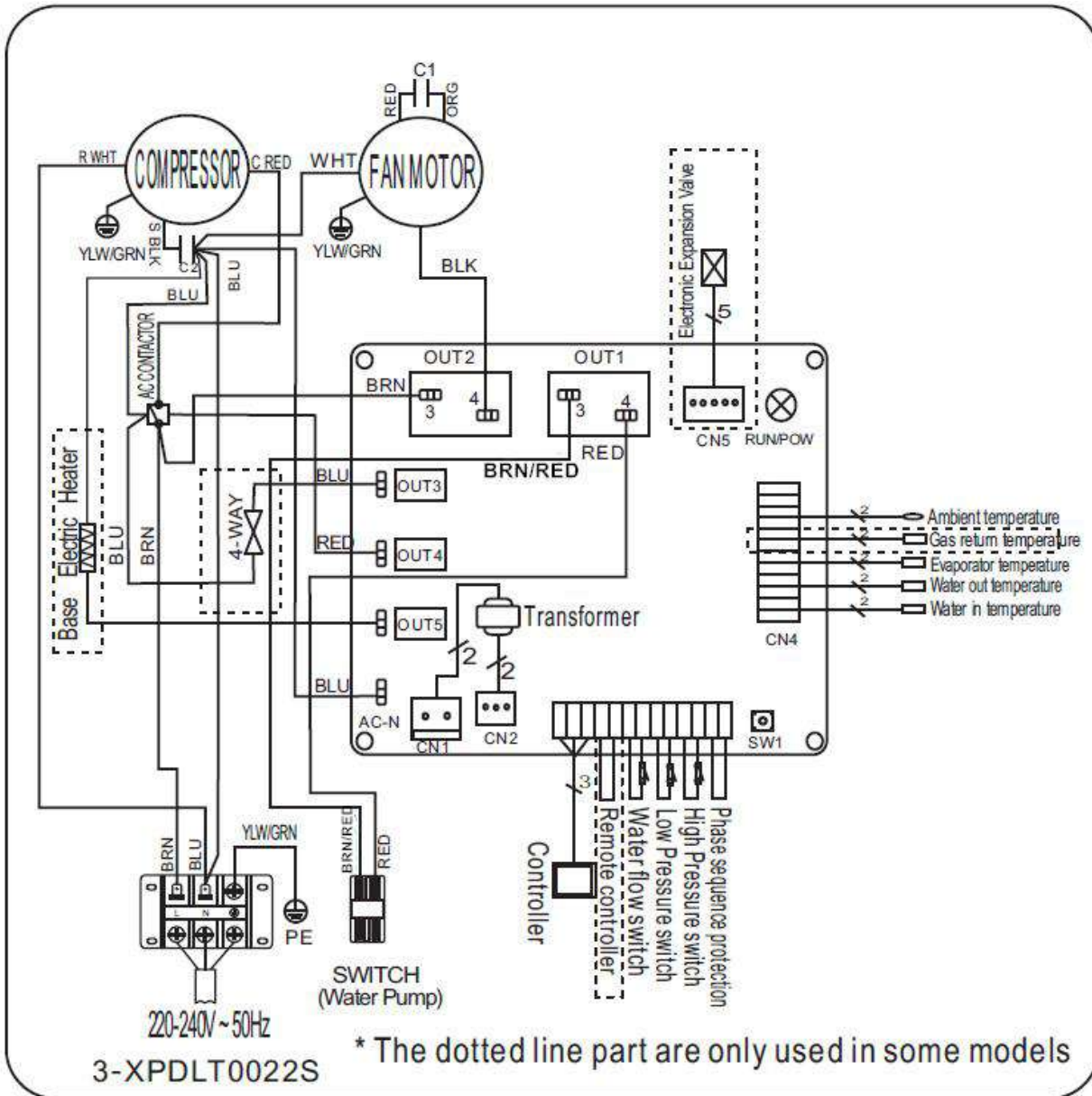
C1 = Condensateur de ventilateur = 2uF/450V

C2 = Condensateur de compresseur = 35uF/450V

FSN-08 / FSN-11:

C1 = Condensateur de ventilateur = 2uF/450V

C2 = Condensateur de compresseur = 60uF/450V



FSN-14/ FSN-17:

C1 = Condensateur de ventilateur = 6uF/450V

C2 = Condensateur de compresseur = 70uF/450V

NOTE:

- (1) Le schéma de câblage électrique ci-dessus est seulement valable pour votre référence, veuillez utiliser le schéma de câblage affiché sur la machine.
- (2) La pompe à chaleur de piscine doit être bien raccordée à la terre, bien que l'échangeur de chaleur soit électriquement isolé du reste de l'unité. La mise à la terre de l'unité est toujours nécessaire pour vous protéger contre les courts-circuits éventuels de l'unité.

Sectionneur : Un moyen d'interruption électrique (disjoncteur, interrupteur à fusibles) doit être en vue et facilement accessible de l'unité. C'est une pratique courante et de sécurité pour les pompes à chaleur résidentielles et commerciales. Il permet la mise hors tension à distance de l'équipement sans surveillance et permet aussi d'isoler l'alimentation à l'unité alors que l'appareil est en réparation.

5.2 INSTALLATION DE LA COMMANDE DEPORTEE

Photo (1)



Photo (2)



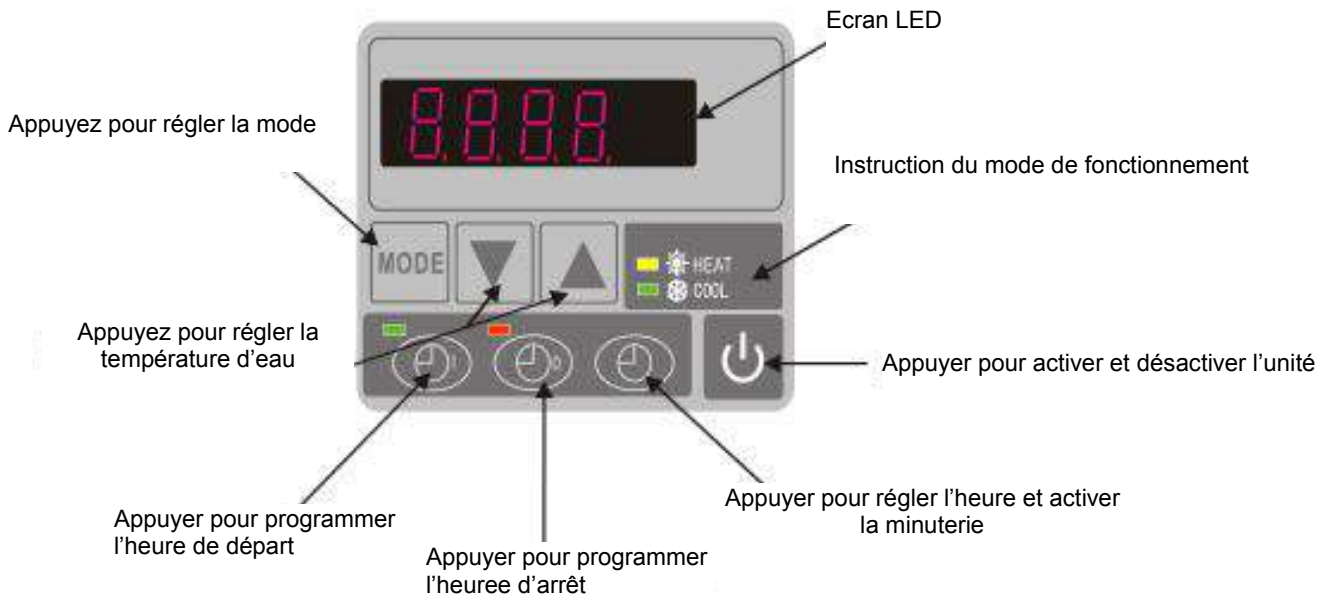
Photo (3)



- Démontage du tableau de commande et dégrafage du connecteur (photo 1).
- Mise en place du câble fourni (photo 2)
- Passer le câble par le presse étoupe (photo 3) et connecter les fils directement

6. Paramétrage

6.1 Les fonctions du tableau de commande LED



Lorsque la pompe à chaleur est en cours de fonctionnement, l'écran LED affichera la température d'arrivée d'eau.


Lorsque la pompe à chaleur est arrêtée, le contrôleur à LED affichera l'heure.

6.2 Démarrer ou arrêter la pompe à chaleur


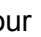

Appuyez sur  pour démarrer la pompe à chaleur.

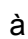
Appuyez sur  pour arrêter la pompe à chaleur.

6.3 Choisir Mode de chauffage ou de refroidissement

Appuyez  pour sélectionner « Heat » pour chauffage ou « Cool » pour refroidissement.

6.4 Réglage de l'heure:

Appuyez sur  pour programmer l'heure, et appuyez sur  et  pour régler l'heure

Après appuyez sur  à nouveau pour enregistrer les nouvelles données.

En moment du réglage de l'heure,  et  ne sont pas disponibles.


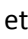

6.5 Réglage de la température d'eau :


Appuyez sur  et  pour sélectionner la température souhaitée.

NOTE: Attention la pompe à chaleur ne fonctionne que si le système de filtration est en route.




6.6 Mode automatique


Programmation de l'heure de démarrage

Appuyez sur  pour programmer l'heure de démarrage, ensuite appuyez sur  et  pour régler l'heure de démarrage. (l'appareil démarre 5 minutes **après** la pompe à eau)

Appuyez sur  à nouveau pour enregistrer les données.




Programmation de l'heure d'arrêt

Appuyez sur  pour programmer l'heure d'arrêt, ensuite appuyez sur  et  pour régler l'heure de démarrage. (l'appareil s'arrête 5 minutes **avant** la pompe à eau)

Appuyez sur  à nouveau pour enregistrer les données.

6.7 Désactiver le mode automatique

Désactiver le démarrage automatique

Appuyez sur  puis ,  s'éteint et le démarrage automatique est désactivé.




Désactiver l'arrêt automatique

Appuyez sur  puis ,  s'éteint et l'arrêt automatique est désactivé.








- NOTE: Dans le cas où le système de filtration se coupe avant la pompe à chaleur, celle-ci se mettra automatiquement en sécurité et affichera une erreur EE3 ou ON permanente.
- Il est impératif de bien programmer la pompe à chaleur suivant les heures de fonctionnement de la filtration.
- Pour relancer la pompe à chaleur, il faudra disjoncter et réenclencher l'alimentation électrique.

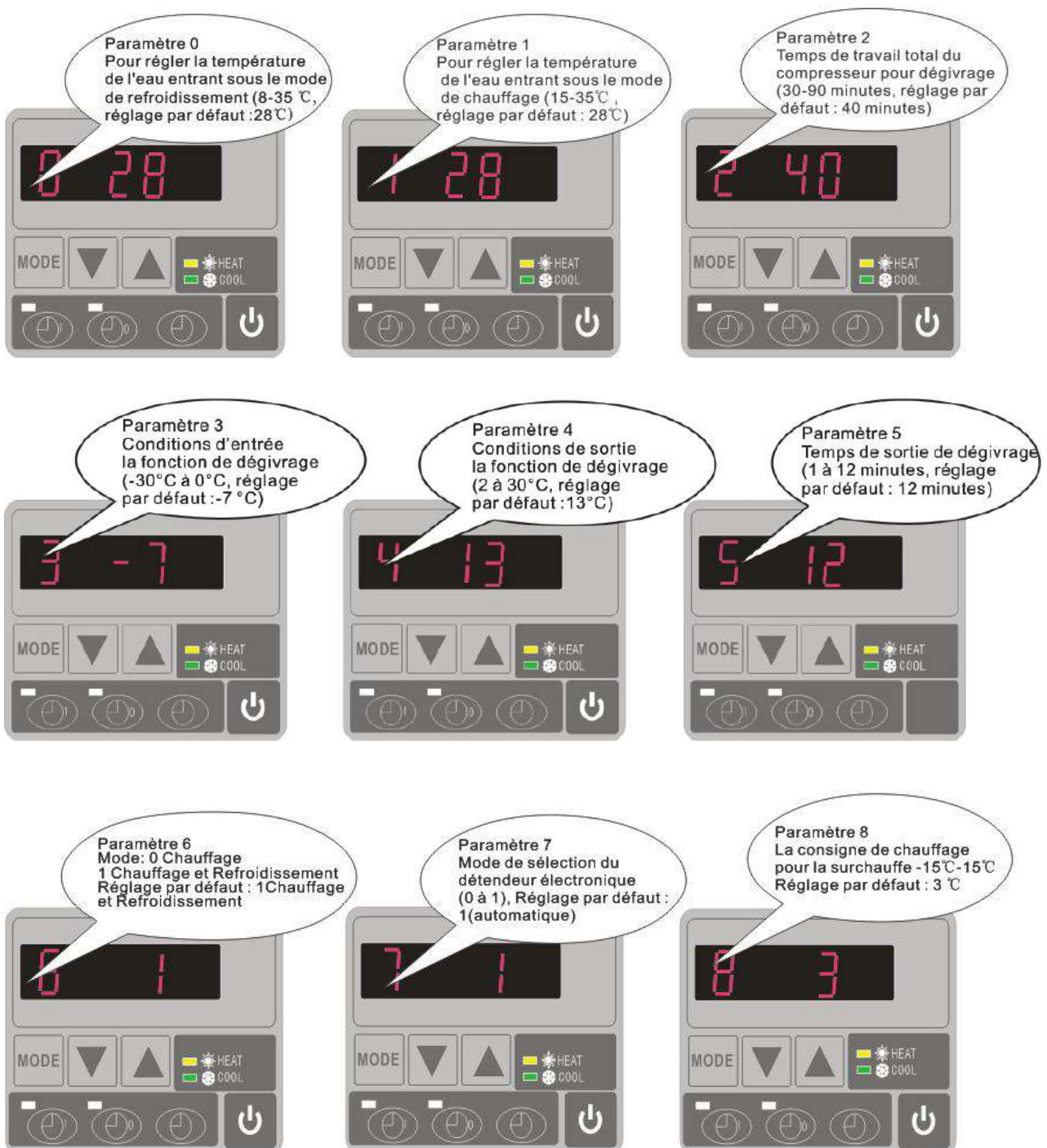
6.8. Paramétrage

6.8..1 Comment vérifier les paramètres.

En mode de veille ou de fonctionnement, appuyez longtemps sur  pour 10 secondes, ensuite appuyez sur  ou  afin de vérifier les paramètres (de 0 à H, voir les illustrations en dessous).

6.8.2 Comment ajuster les paramètres(peut ajuster seulement en mode de fonctionnement).

- 1) Appuyez sur  pour 10 secondes, ensuite appuyez  encore une fois pour sélectionner les paramètres.
- 2) Appuyez  ou  pour ajuster les paramètres, appuyez  encore une fois pour enregistrer les nouvelles valeurs.
- 3) Appuyez ensuite  ou  pour sélectionner un autre paramètre que vous voulez ajuster, et répétez 2) en dessus.



Paramètre 0
Pour régler la température de l'eau entrant sous le mode de refroidissement (8-35 °C, réglage par défaut :28°C)

Paramètre 1
Pour régler la température de l'eau entrant sous le mode de chauffage (15-35°C , réglage par défaut : 28°C)

Paramètre 2
Temps de travail total du compresseur pour dégivrage (30-90 minutes, réglage par défaut : 40 minutes)

Paramètre 3
Conditions d'entrée la fonction de dégivrage (-30°C à 0°C, réglage par défaut :-7 °C)

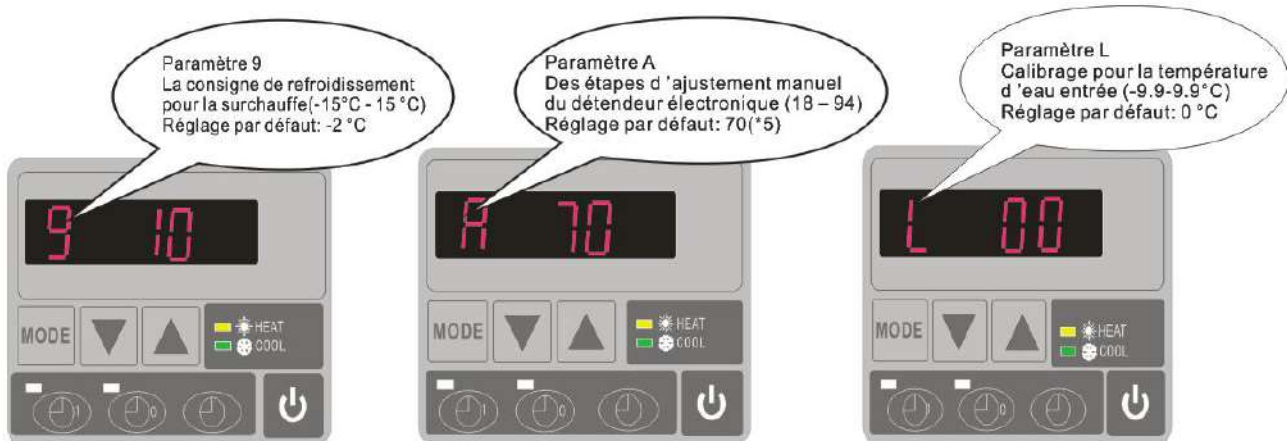
Paramètre 4
Conditions de sortie la fonction de dégivrage (2 à 30°C, réglage par défaut :13°C)

Paramètre 5
Temps de sortie de dégivrage (1 à 12 minutes, réglage par défaut : 12 minutes)

Paramètre 6
Mode: 0 Chauffage
1 Chauffage et Refroidissement
Réglage par défaut : 1 Chauffage et Refroidissement

Paramètre 7
Mode de sélection du détendeur électronique (0 à 1), Réglage par défaut : 1(automatique)

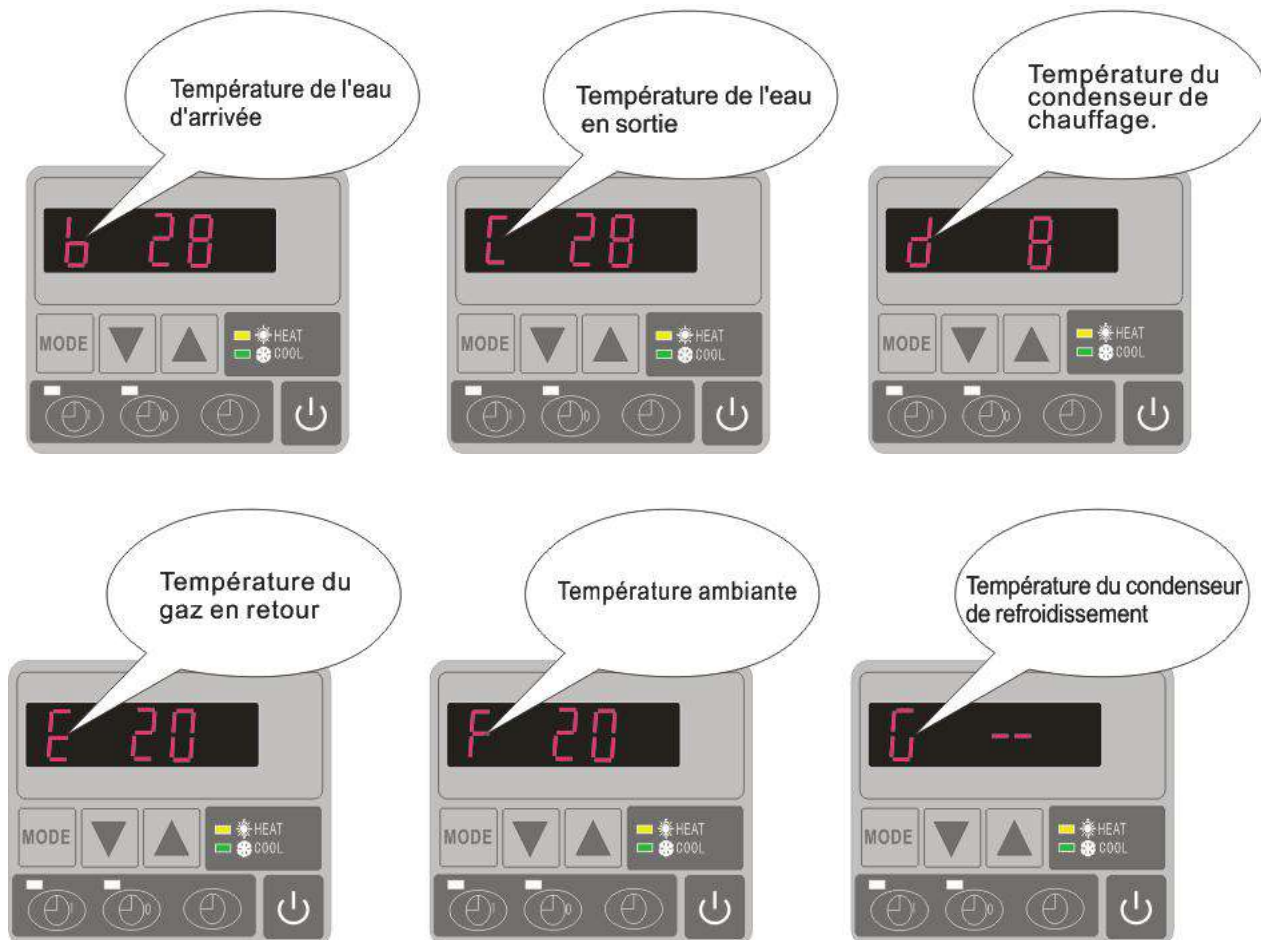
Paramètre 8
La consigne de chauffage pour la surchauffe -15°C-15°C
Réglage par défaut : 3 °C



Veuillez noter :

- A) Appuyez "MODE" pour choisir la mode ("1" ou "2" dans le paramètre 6)
- B) le Mode peut être changé lors de fonctionnement.
- C) Chauffage auxiliaire électrique n'est pas applicable ici.

6.8.3 Comment savoir les états actuels





Paramètre	Signification	Amplitude	Défaut	Remarques
0	Pour régler la température de l'eau d'arrivée en mode de refroidissement	8-35°C	28°C	Réglable
1	Pour régler la température de l'eau d'arrivée en mode de chauffage	15-40°C	28°C	Réglable
2	Entrée en période de dégivrage.	30-90Minutes	40Minutes	Réglable
3	Conditions d'entrée la fonction de dégivrage.	-30°C à 0°C	-7°C	Réglable
4	Conditions de sortie de la fonction de dégivrage.	2 à 30°C	20°C	Réglable
5	Temps pour sortir du dégivrage	1 à 12 minutes	12 minutes	Réglable
6	Mode: 0 Chauffage 1 Chauffage et Refroidissement	0-1	1(Chauffage et Refroidissement)	Réglable
7	Mode de sélection du détendeur électronique	0-1	1(automatique)	Réglable
8	La cible de chauffage pour la surchauffe	-15°C-15°C	3°C	Réglable
9	La cible de refroidissement pour la surchauffe	-15°C-15°C	-2 °C	Réglable
A	Les mesures d'ajustement manuel du détendeur électronique	18-94	70	Réglable
B	Température de l'eau arrivée	-9-99°C		Essai exact par valeur
C	Température de l'eau sortie	-9-99°C		Essai exact par valeur
D	Température du condenseur en mode de chauffage	-9-99°C		Essai exact par valeur
E	Température de retour du gaz	-9-99°C		Essai exact par valeur
F	La température ambiante	-9-99°C		Essai exact par valeur
G	Température du condenseur en mode refroidissement	-9-99°C		Essai exact par valeur
H	Les mesures réelles de détendeur électronique	N*5		Essai exact par valeur
L	Calibrage pour la température d'eau entrée	-9.9-9.9°C	0°C	Réglable

Remarques:

(1) Lorsque la pompe à chaleur arrête de fonctionner pendant 30 secondes, la pompe à eau s'arrête

automatiquement








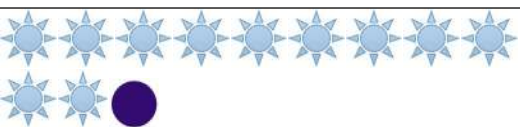






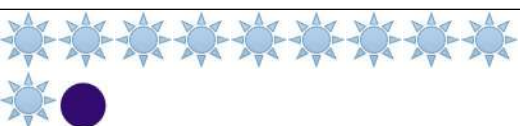

(2) Le contrôleur à LED peut faire fonctionner la pompe à eau une fois que le câble supplémentaire est correctement connecté au dispositif de la pompe sur le terminal "PUMP".

7 Guide de dépannage

7.1 Code d'erreur affichée sur le tableau de commande

Dysfonctionnement	Code d'erreur	Raison	Solution
Protection basse température ambiante	PP0	La température ambiante est trop basse	
Défaillance du capteur de température d'eau arrivée	PP1	Le capteur est en circuit ouvert ou en court-circuit	Vérifiez ou remplacez le capteur
Défaillance du capteur de température d'eau sortie	PP2	Le capteur est en circuit ouvert ou en court-circuit	Vérifiez ou remplacez le capteur
Défaillance du capteur de condenseur de chauffage	PP3	Le capteur est en circuit ouvert ou en court-circuit	Vérifiez ou remplacez le capteur
Défaillance du capteur de gaz de retour	PP4	Le capteur est en circuit ouvert ou en court-circuit	Vérifiez ou remplacez le capteur
Défaillance du capteur de température ambiante	PP5	Le capteur est en circuit ouvert ou en court-circuit	Vérifiez ou remplacez le capteur
La différence de température entre eau arrivée et eau sortie est trop importante	PP6	Débit d'eau ne suffit pas, la différence de pression d'eau est trop faible	Vérifiez le volume de débit d'eau ou si eau est bloquée ou pas
Protection antigèle du premier niveau en hiver	PP7	La température ambiante ou la température d'eau arrivée est trop faible	Pompe à eau se lancera automatiquement pour l'antigel du premier niveau
Protection antigèle du second niveau en hiver	PP7	La température ambiante ou la température d'eau arrivée est trop faible	Pompe à eau se lancera automatiquement pour l'antigel du second niveau
Protection haute pression	EE1	1. Trop de réfrigérant 2. Pas assez de débit d'air	1. Déchargez un peu de réfrigérant du système de gaz de la pompe à chaleur 2. Nettoyez l'échangeur d'air
Protection basse pression	EE2	1. Réfrigérant ne suffit pas 2. Le débit d'eau n'est pas suffisant	1. Vérifiez s'il y a des fuites de gaz, recharger le réfrigérant 2. Nettoyez l'échangeur d'air
Défaillance de l'interrupteur de débit	EE3 ou ON	Peu d'eau, pas d'eau ou sens d'écoulement mal	Vérifiez le volume de débit d'eau et le sens d'écoulement, sinon le l'interrupteur de débit serait endommagé.
Dysfonctionnement de la différence température entre eau arrivée et eau sortie	EE5	Débit d'eau ne suffit pas, la différence de pression d'eau est trop faible	Vérifiez le volume de débit d'eau ou si le système d'eau est bloqué ou pas
Défaillance de communication	EE8	Connexion du fil n'est pas bonne	Vérifiez la connexion du fil

7.2 Code « flash » sur la LED de la carte électronique

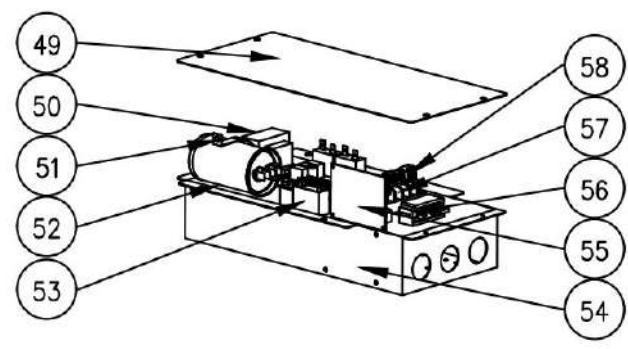
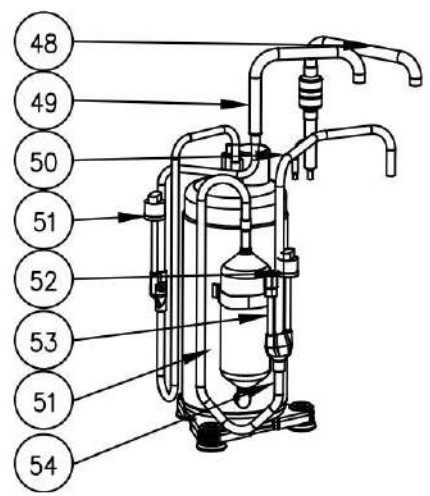
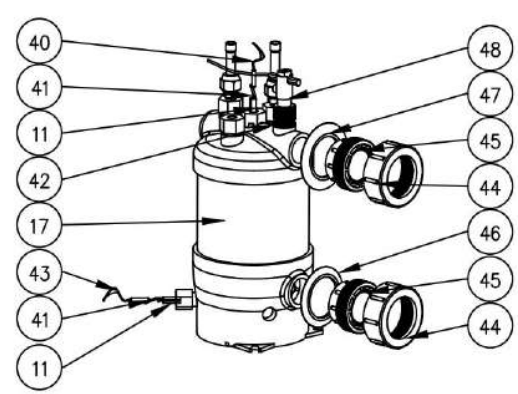
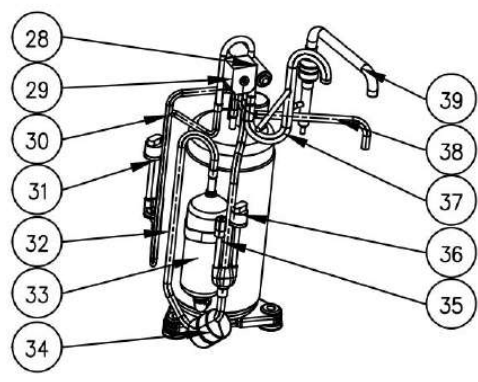
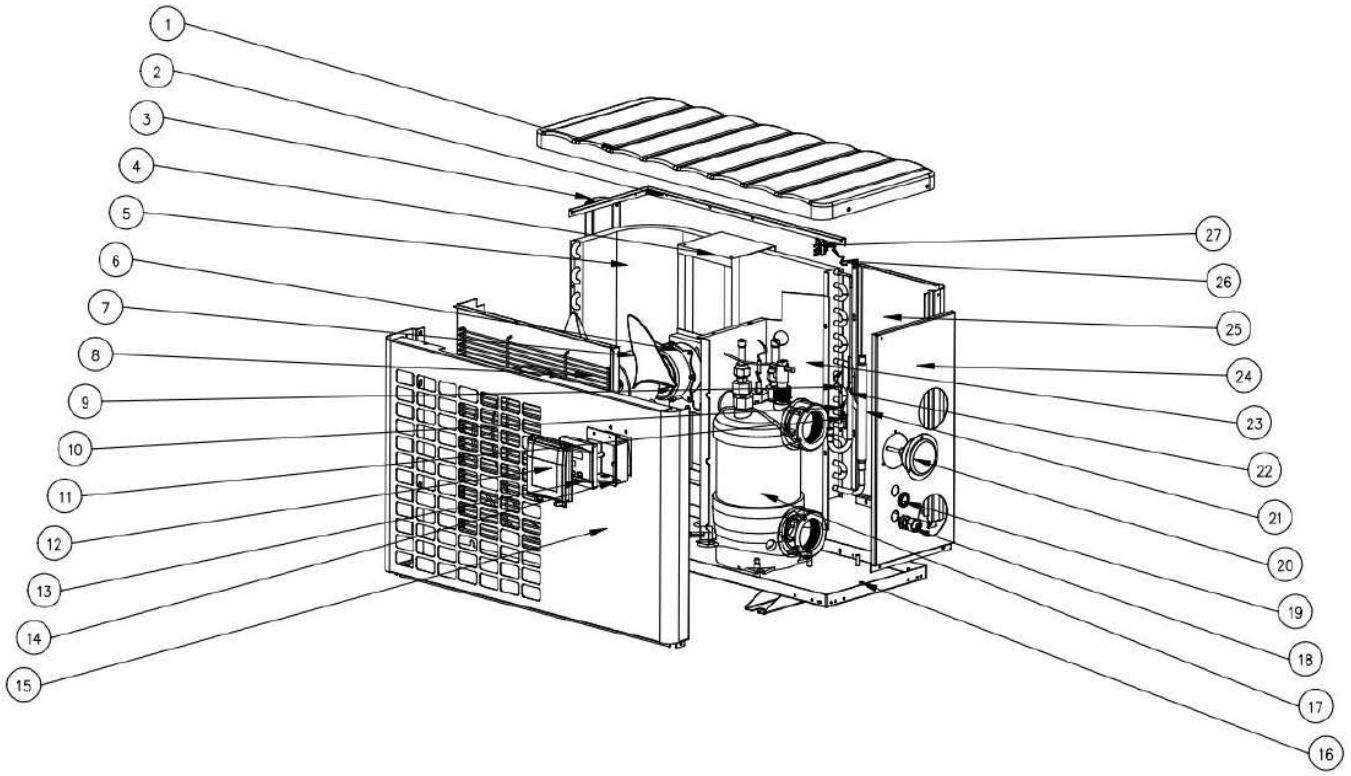
Signification	Code d'erreur	Etat de la LED affiché sur la carte
Etat de veille de la pompe à chaleur	ON	
En mode de fonctionnement	Température de l'eau arrivée	
Protection de température ambiante basse	PP0	
Défaillance du capteur de température d'eau arrivée	PP1	
Défaillance du capteur de température d'eau sortie	PP2	
Défaillance du capteur de condenseur de chauffage	PP3	
Défaillance du capteur de gaz de retour	PP4	
Défaillance du capteur de température ambiante	PP5	
La différence de température entre eau arrivée et eau sortie est trop importante	PP6	
Protection antigel du premier niveau en hiver	PP7	
Protection antigel du second niveau en hiver	PP7	
Protection haute pression	EE1	
Protection basse pression	EE2	
Défaillance de l'interrupteur de débit	ON/EE3	
Dysfonctionnement de la différence température entre eau arrivée et eau sortie	EE5	
Dégivrage	Dégivrage	

7.3 Autres dysfonctionnements et Solutions (Pas affiché sur le contrôleur)

Dysfonctionnements	Observations	Raisons	Solution
Pompe à chaleur ne fonctionne pas	Aucun affichage sur le contrôleur à LED	Pas d'alimentation	Vérifiez le disjoncteur du câble et du circuit soit connecté
	Contrôleur à LED affiche le temps réel	Pompe à chaleur en état de veille	Démarrez la pompe à chaleur.
	Contrôleur à LED affiche la température réelle de l'eau.	<ol style="list-style-type: none"> 1. Température de l'eau atteint presque la valeur fixée, pompe à chaleur est en état à température constante. 2. Pompe à chaleur commence juste à fonctionner 3. En état de dégivrage 	<ol style="list-style-type: none"> 1. Vérifiez le réglage de température de l'eau. 2. Démarrez de la pompe à chaleur après quelques minutes. 3. Contrôleur à LED doit afficher "Dégivrage"
Fonctionnement court	Contrôleur à LED affiche la température réelle de l'eau, aucun code d'erreur ne s'affiche	<ol style="list-style-type: none"> 1. Ventilateur ne fonctionne pas 2. La ventilation d'air n'est pas suffisante 3. Réfrigérant ne suffit pas. 	<ol style="list-style-type: none"> 1. Vérifiez les connexions des câbles entre le moteur et le ventilateur, le cas échéant, il doit être remplacé. 2. Vérifiez l'emplacement de l'unité de pompe à chaleur, et éliminez tous les obstacles pour faire bonne ventilation. 3. Remplacez où réparer l'unité de la pompe à chaleur
Taches d'eau	Les taches d'eau sur la pompe à chaleur	<ol style="list-style-type: none"> 1. Protection. 2. Infiltration d'eau. 	<ol style="list-style-type: none"> 1. Aucune action. 2. Vérifiez l'échangeur de chaleur en titane avec soin, s'il y a une fuite
Trop de glace sur l'évaporateur	Trop de glace sur l'évaporateur.		<ol style="list-style-type: none"> 1. Vérifiez l'emplacement de l'unité de pompe à chaleur, et éliminez tous les obstacles 2. Remplacez ou réparez l'unité de la pompe à chaleur

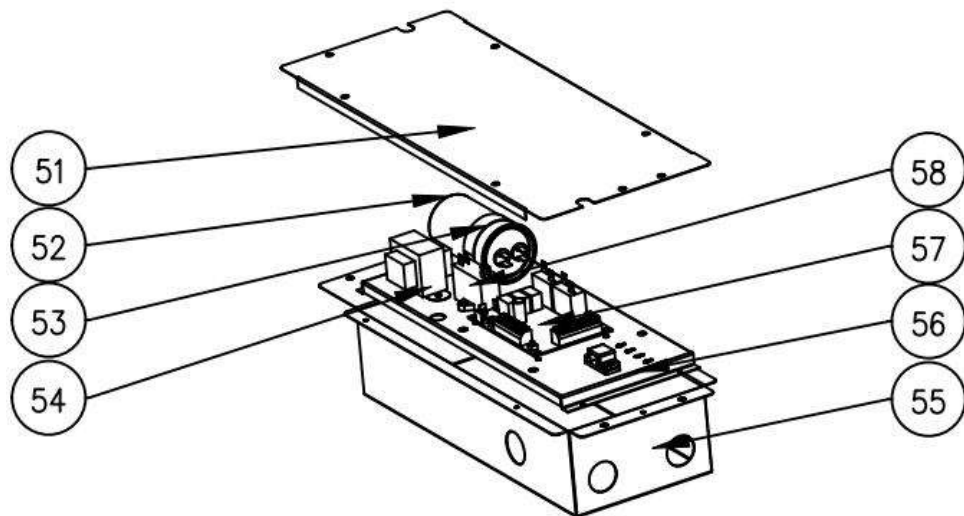
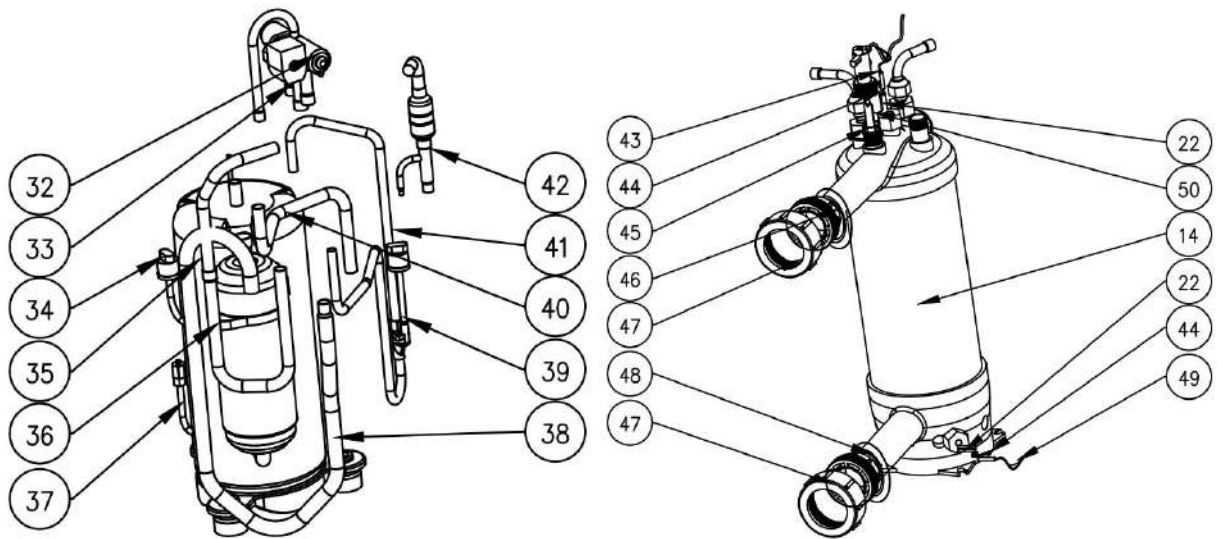
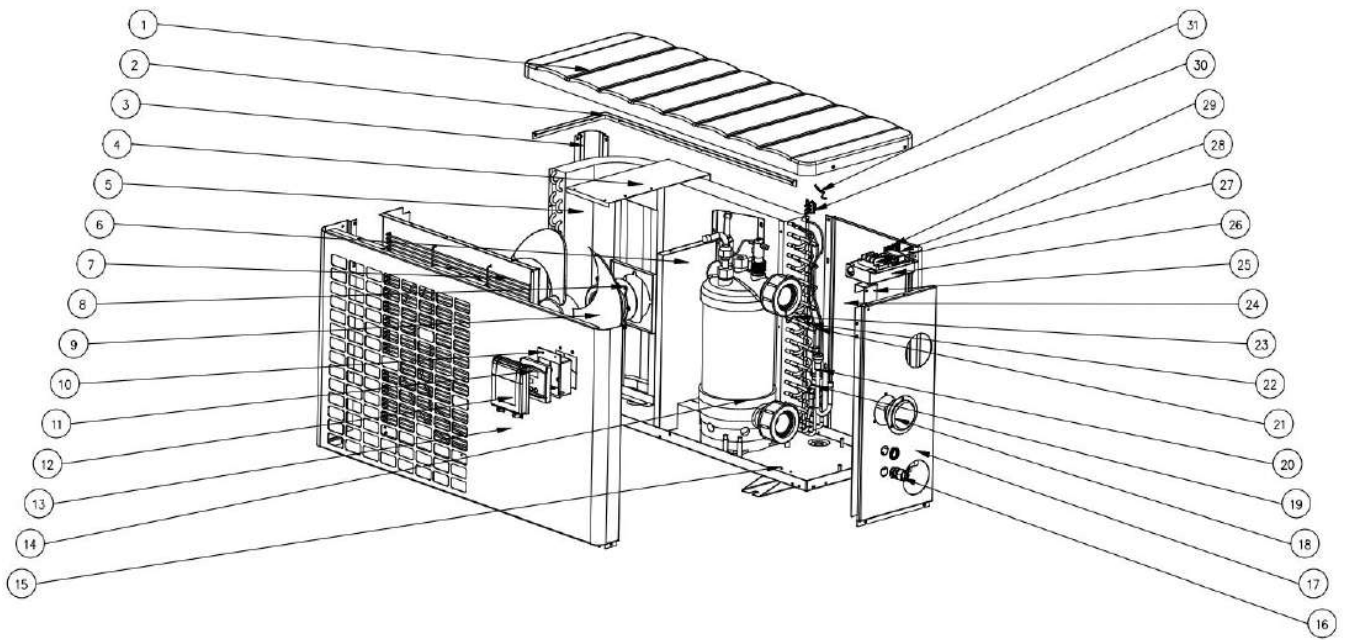
8. Schéma Eclaté

Modèle: FSN05



NO	ERP	Spare parts	NO	ERP	Spare parts
1	133420002	Panneau supérieur	30	113010408	Tube échappement gaz
2	108920005	Plaque de support électrique à crémaillère	31	112100030	Sonde haute pression
3	108920011	Pilier	32	113020562	Tube retour gaz
4	108920002	Support ventilateur	33	101000241	Compresseur
5	103000250	Evaporateur	34	136020026	Caoutchouc anti-vibrations
6	112000033	Moteur ventilateur	35	120000098	Vanne gaz
7	132000001	Pâle ventilateur	36	112100046	Sonde basse pression
8	108920014	Assemblage du panneau avant	37	113030180	4-Wege-Ventil zum Austauscher
9	112200136	Sonde de température dégivrage T3	38	113060185	Rohr
10	113190007	Fourreau sonde de température	39	113090085	Échangeur à capillaire
11	113190001	Clip de fixation sonde	40	112200138	Sonde de température de sortie d'eau T2
12	133030011	Couvercle de protection	41	108010025	Tauscher-Temperatursensor-Clip
13	117020087	contrôleur	42	133020026	Joint raccord d'eau
14	113712007	Couvercle du contrôleur	43	112200133	Wasser in Temp. Sensor T1
15	108920013	Panneau avant	44	102050005	Wasseranschluss-Sets
16	108920016	Base	45	102050005	Raccordement à l'eau
17	102041042	Echangeur en titane	46	133020011	Blauer Gummiring
18	110000039	Connecteur de câble	47	133020012	Roter Gummiring
19	136020134	Anneau de caoutchouc	48	112100021	Wasserflussschalter
20	106000011	Manomètre	49	108020044	Couvercle de boîte électrique
21	103000250	Tube gaz	50	112200064	transformateur
22	103000250	Tuyauterie de distribution	51	108010008	Chargeur de condensateur
23	108920009	Panneau d'isolation	52	111300013	Condensateur de compresseur
24	108920012	Panneau latéral	53	111300002	Condensateur de ventilateur
25	108920010	Panneau arrière	54	108920015	Elektrische Box
26	112200141	Sonde de température ambiante T5	55	11220183	PCB
27	133020010	Clip de fixation sonde	56	115000060	2-sitziges Terminal
28	121000035	Vanne 4 voies	57	115000002	3-sitziges Terminal
29	121000036	Bobine à quatre voies	58	136010004	Clip

Modèle: FSN-08 / FSN-11



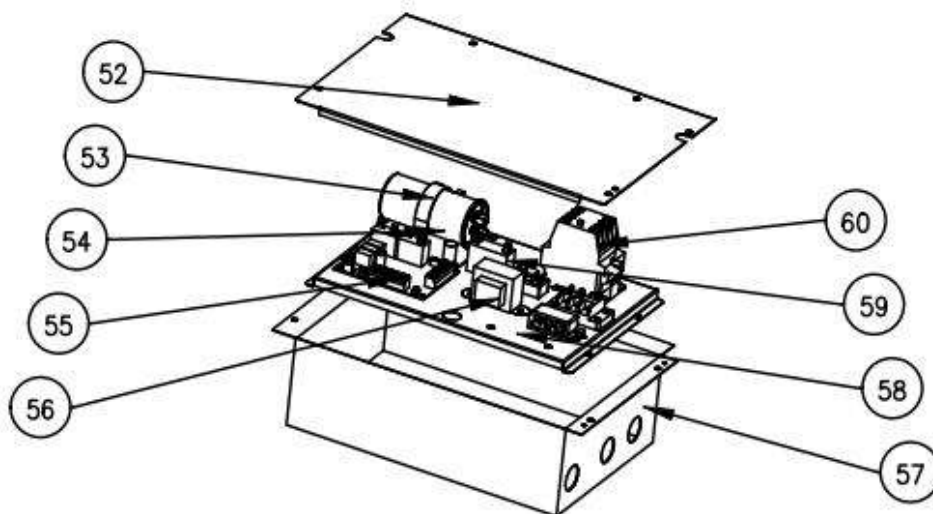
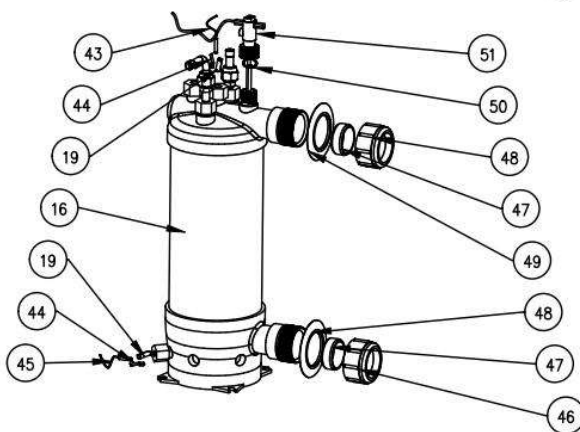
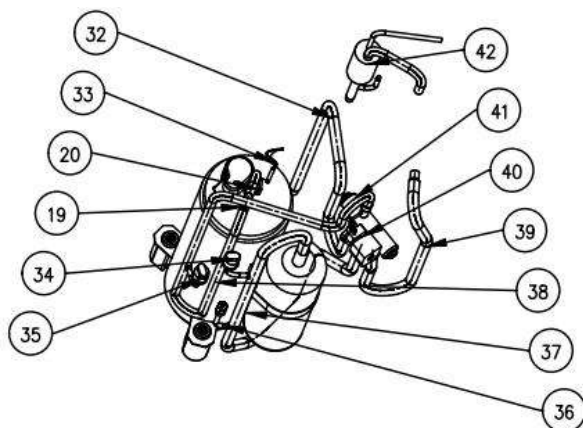
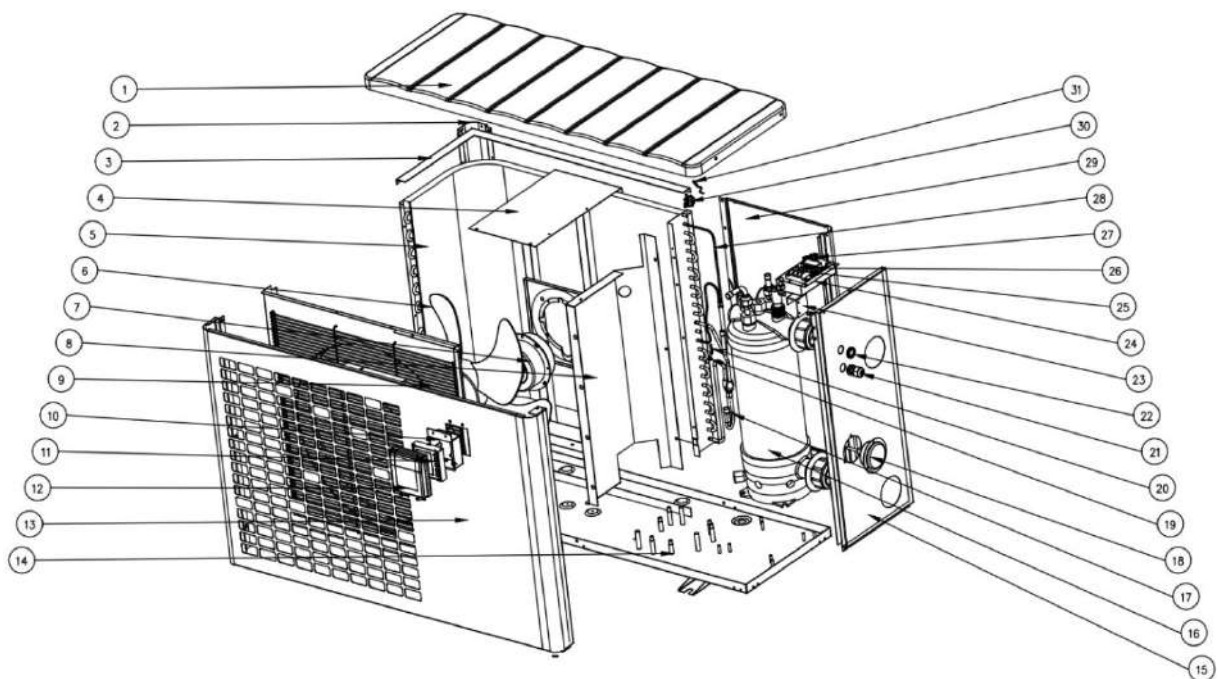
Spare parts list: FSN-08

NO	ERP	Spare parts	NO	ERP	Spare parts
1	133430003	Panneau supérieur	30	133020010	Clip de fixation sonde
2	108900016	Plaque de support électrique à crémaillère	31	112200141	Sonde de température ambiante T5
3	108900021	Pilier	32	121000034	Vanne 4 voies
4	108900011	Support ventilateur	33	121000037	Bobine à quatre voies
5	103000311	Evaporateur	34	112100046	Sonde basse pression
6	108900010	Panneau d'isolation	35	113030168	4-Wege-Ventil zum Austausch
7	108900024	Assemblage du panneau avant	36	113030169	4-Wege-Ventil zum Austausch
8	112000069	Moteur ventilateur	37	120000097	Vanne gaz
9	113600007	Pâle ventilateur	38	113020528	Tube retour gaz
10	133030011	Couvercle de protection	39	112100030	Sonde haute pression
11	117020087	contrôleur	40	113010379	Tube échappement gaz
12	113712007	Couvercle du contrôleur	41	113060174	Rohr
13	108900022	Panneau avant	42	113090090	Échangeur à capillaire
14	102041049	Echangeur en titane	43	112200138	Sonde de température de sortie d'eau T2
15	108900001	Base	44	108010025	Tauscher-Temperatursensor-Clip
16	110000039	Connecteur de câble	45	133020026	Joint raccord d'eau
17	108900023	Panneau latéral	46	133020012	Roter Gummiring
18	106000011	Manomètre	47	102050015	Wasseranschluss-Sets
19	103000311	Tube gaz	48	133020011	Blauer Gummiring
20	103000311	Tuyauterie de distribution	49	112200133	Wasser in Temp. Sensor T1
21	113190001	Clip de fixation sonde	50	112100021	Wasserflussschalter
22	113190007	Fourreau sonde de température	51	108140063	Couvercle de boîte électrique
23	112200136	Sonde de température dégivrage T3	52	111300018	Condensateur de compresseur
24	108900020	Panneau arrière	53	108010007	Chargeur de condensateur
25	108900017	La plaque de support du boîtier	54	112200064	transformateur
26	108030240	Boîtier de câblage	55	108140061	Elektrische Box
27	115000002	3-sitziges Terminal	56	108140062	Panneaux électriques
28	136010004	Clip	57	111300002	Condensateur de ventilateur
29	115000060	2-sitziges Terminal	58	11220183	PCB

Spare parts list: FSN-11

NO	ERP	Spare parts	NO	ERP	Spare parts
1	133430003	Panneau supérieur	30	133020010	Clip de fixation sonde
2	108900016	Plaque de support électrique à crémaillère	31	112200141	Sonde de température ambiante T5
3	108900021	Pilier	32	121000034	Vanne 4 voies
4	108900011	Support ventilateur	33	121000037	Bobine à quatre voies
5	103000310	Evaporateur	34	112100046	Sonde basse pression
6	108900010	Panneau d'isolation	35	113030168	4-Wege-Ventil zum Austausch
7	108900024	Assemblage du panneau avant	36	113030169	4-Wege-Ventil zum Austausch
8	112000069	Moteur ventilateur	37	120000097	Vanne gaz
9	113600007	Pâle ventilateur	38	113020525	Tube retour gaz
10	133030011	Couvercle de protection	39	112100030	Sonde haute pression
11	117020087	contrôleur	40	113010377	Tube échappement gaz
12	113712007	Couvercle du contrôleur	41	113060173	Rohr
13	108900022	Panneau avant	42	113090090	Échangeur à capillaire
14	102041050	Echangeur en titane	43	112200138	Sonde de température de sortie d'eau T2
15	108900001	Base	44	108010025	Tauscher-Temperatursensor-Clip
16	110000039	Connecteur de câble	45	133020026	Joint raccord d'eau
17	108900023	Panneau latéral	46	133020012	Roter Gummiring
18	106000011	Manomètre	47	102050015	Wasseranschluss-Sets
19	103000310	Tube gaz	48	133020011	Blauer Gummiring
20	103000310	Tuyauterie de distribution	49	112200133	Wasser in Temp. Sensor T1
21	113190001	Clip de fixation sonde	50	112100021	Wasserflussschalter
22	113190007	Fourreau sonde de température	51	108140063	Couvercle de boîte électrique
23	112200136	Sonde de température dégivrage T3	52	111300018	Condensateur de compresseur
24	108900020	Panneau arrière	53	108010007	Chargeur de condensateur
25	108900017	La plaque de support du boîtier	54	112200064	transformateur
26	108030240	Boîtier de câblage	55	108140061	Elektrische Box
27	115000002	3-sitziges Terminal	56	108140062	Panneaux électriques
28	136010004	Clip	57	111300002	Condensateur de ventilateur
29	115000060	2-sitziges Terminal	58	11220183	PCB

Modèle: FSN-14 / FSN-17



Spare parts list: FSN-14

NO	ERP	Spare parts	NO	ERP	Spare parts
1	133410002	Panneau supérieur	31	112200141	Sonde de température ambiante T5
2	108050132	Pilier	32	113060099	Rohr
3	108050208	Plaque de support électrique à crémaillère	33	112200136	Sonde de température dégivrage T3
4	108050212	Support ventilateur	34	112100030	Manomètre
5	103000201	Evaporateur	35	112100046	Sonde basse pression
6	113600010	Pâle ventilateur	36	120000097	Vanne gaz
7	112000070	Moteur ventilateur	37	113020392	Tube retour gaz
8	108050211	Panneau d'isolation	38	113010283	Tube échappement gaz
9	108050213	Assemblage du panneau avant	39	113030098	4-Wege-Ventil zum Austausch
10	133030011	Couvercle de protection	40	121000037	Bobine à quatre voies
11	117020087	contrôleur	41	121000028	Vanne 4 voies
12	113712007	Couvercle du contrôleur	42	113090066	Échangeur à capillaire
13	108050214	Panneau avant	43	112200138	Sonde de température de sortie d'eau T2
14	108050209	Base	44	108010025	Tauscher-Temperatursensor-Clip
15	108050210	Panneau latéral	45	112200133	Wasser in Temp. Sensor T1
16	102040994	Echangeur en titane	46	102050005	Wasseranschluss-Sets
17	103000201	Tube gaz	47	102050005	Raccordement à l'eau
18	106000011	Manomètre	48	133020011	Blauer Gummiring
19	113190001	Clip de fixation sonde	49	133020012	Roter Gummiring
20	113190007	Fourreau sonde de température	50	133020026	Joint raccord d'eau
21	110000039	Connecteur de câble	51	112100021	Wasserflussschalter
22	136020119	Anneau de caoutchouc	52	108110011	Couvercle de boîte électrique
23	108050215	La plaque de support du boîtier	53	108010007	Chargeur de condensateur
24	108030240	Boîtier de câblage	54	111000020	Condensateur de compresseur
25	115000002	3-sitziges Terminal	55	11220182	PCB
26	136010004	Clip	56	112200064	transformateur
27	115000060	2-sitziges Terminal	57	108050192	Elektrische Box
28	103000201	Tuyauterie de distribution	58	108050193	Panneaux électriques
29	108050195	Panneau arrière	59	111000006	Condensateur de ventilateur
30	133020010	Clip de fixation sonde	60	104000001	Contacteur AC

Spare parts list: FSN-17

NO	ERP	Spare parts	NO	ERP	Spare parts
1	133410002	Top cover	31	112200141	Ambient temp. sensor T5
2	108050132	Pillar	32	113060099	Tube
3	108050208	Electric rack support plate	33	112200136	Evaporator temperature sensor T3
4	108050212	Fan motor bracket	34	112100030	Pressure gauge
5	103000202	Evaporator	35	112100046	Low pressure switch
6	113600010	Fan blade	36	120000097	Gas valve
7	112000070	Fan motor	37	113020591	Gas return piping
8	108050211	Isolation panel	38	113020632	Discharge pipe
9	108050213	Front panel assembly	39	113030098	4-way valve to exchanger
10	133030011	Wire control box	40	121000037	Four-way valve coil
11	117020087	Controller	41	121000028	4 way valve
12	113712007	Waterproof box	42	113090095	Exchanger to Capillary
13	108050214	Front panel	43	112200138	Water outlet temp. sensor T2
14	108050225	Base tray	44	108010025	Exchanger temperature sensor clip
15	108050210	Side Panel	45	112200133	Water inlet temp. sensor T1
16	102041068	Titanium heat exchanger	46	102050005	Water connection sets
17	103000202	Evaporator pipe	47	102050005	Water connection
18	106000011	Pressure gauge	48	133020011	Blue rubber ring
19	113190001	Clip	49	133020012	Red rubber ring
20	113190007	Sensor holder	50	133020026	Rubber ring on water connection
21	110000039	Cable connector	51	112100021	Water flow switch
22	136020119	Rubber ring	52	108110011	Electric box cover
23	108050215	Wiring box support plate	53	108010007	Capacitor clip
24	108030240	Wiring box	54	111000020	Compressor capacitor
25	115000002	3-ways terminal block	55	11220182	PCB
26	136010004	Clip	56	112200064	Transformer
27	115000060	2-ways terminal block	57	108050192	Electric box
28	103000202	Distribution piping	58	108050193	Electric box board
29	108050195	Back panel	59	111000006	Fan capacitor
30	133020010	Ambient temp. sensor clip	60	104000001	AC contactor

9. Maintenance

Attention !

-Avant tout travail d'entretien sur l'appareil, vous devez couper l'alimentation électrique car il existe un risque de choc électrique pouvant entraîner des dommages matériels, des blessures graves ou même la mort.

- Il est recommandé que l'appareil fasse l'objet d'un entretien général au moins une fois par an pour assurer son bon fonctionnement, maintenir ses performances et éviter d'éventuelles pannes. Ces opérations sont effectuées aux frais de l'utilisateur, par un technicien qualifié.

-Pour la maintenance à effectuer par un technicien qualifié, veuillez lire les consignes de sécurité des pages précédentes.

(1) Contrôlez régulièrement le circuit d'eau pour vérifier l'absence de fuites, un débit d'eau faible réduit les performances et la fiabilité de la machine.

(2) Nettoyez votre piscine et le système de filtration régulièrement pour éviter l'endommagement de l'unité.

(3) Gardez l'appareil sec, propre et bien-ventilé, nettoyez régulièrement l'évaporateur pour maintenir un échange thermique efficace et économie en énergie.

(4) Seul un technicien qualifié est autorisé à réparer le circuit gaz du système de réfrigération.

(5) Si la pompe à chaleur fonctionne anormalement, vérifiez le branchement électrique si tout est correct, éteignez l'appareil et contactez les techniciens qualifiés.

(6) Vous devez vidanger l'eau de la pompe à chaleur si vous ne l'utilisez pas pendant longtemps. Au redémarrage, vous devez remplir d'eau le circuit avant de mettre sous tension la pompe à chaleur.


(7) Veuillez toujours vider l'eau de la pompe à chaleur pendant l'hiver ou lorsque la température ambiante descend en dessous de 0 °C, sinon l'échangeur en titane sera endommagé en raison du gel, dans ce cas, votre garantie sera perdue.

(8) Tableau de cartographie de la pression et de la température R32

Condition	A l'arrêt			
	- 5-5 °C	5-15 °C	15-25 °C	25-35 °C
Température ambiante	- 5-5 °C	5-15 °C	15-25 °C	25-35 °C
La température de l'eau	/	/	/	/
Lecture du manomètre	0.68-0.93MPa	0.93-1.25MPa	1.25-1.64MPa	1.64-2.1MPa

Condition	En marche (Chauffage)				
	/	/	/	/	/
Température ambiante	/	/	/	/	/
La température de l'eau	10-15°C	15-20°C	20-25°C	25-30°C	30-35 °C
Lecture du manomètre	1.3-1.8MPa	1.5-1.9MPa	1.6-2.3MPa	1.9-2.8MPa	2.1-3.5MPa

 **WARNHINWEISE**

	<p>Dieses Symbol weist darauf hin, dass weitere Informationen in der Bedienungsanleitung oder im Installationshandbuch verfügbar sind.</p>		<p>Dieses Symbol weist darauf hin, dass dieses Gerät R32 verwendet, ein Kältemittel mit niedriger Brenngeschwindigkeit.</p>
	<p>Dieses Symbol weist darauf hin, dass die Bedienungsanleitung sorgfältig gelesen werden sollte.</p>		<p>Dieses Symbol weist darauf hin, dass ein Wartungstechniker dieses Gerät unter Beachtung der Bedienungsanleitung handhaben sollte.</p>

ALLGEMEINE WARNHINWEISE

- Durch die Nichteinhaltung der Warnhinweise können die Geräte im Schwimmbad beschädigt oder schwere bis tödliche Verletzungen verursacht werden.
- Nur ein qualifizierter Fachmann in den betreffenden technischen Bereichen (Elektrik, Hydraulik, Kältetechnik) ist befugt, Wartungs- oder Reparaturarbeiten am Gerät auszuführen. Der qualifizierte Techniker muss beim Eingriff am Gerät eine persönliche Schutzausrüstung (z. B. Schutzbrille, Schutzhandschuhe usw.) tragen, damit jede mit dem Eingriff am Gerät verbundene Verletzungsgefahr vermieden wird.
- Vor jedem Eingriff am Gerät muss dieses von der Stromversorgung getrennt und gegen ungewollte Einschaltung gesichert werden.
- Dieses Gerät ist nicht für die Verwendung durch Personen (einschließlich Kinder ab 8 Jahren) mit eingeschränkten körperlichen, sensorischen oder geistigen Fähigkeiten bzw. mangelnder Erfahrung ausgelegt, es sei denn:
 - sie werden von einer für ihre Sicherheit verantwortlichen Person überwacht oder hinsichtlich der Verwendung des Gerätes eingewiesen, und sie haben die mit dessen Nutzung verbundenen Risiken verstanden.
 - Kinder müssen beaufsichtigt werden, um sicherzustellen, dass sie nicht mit dem Gerät spielen.
- Die Installation des Geräts ist gemäß den Anweisungen des Herstellers sowie unter Einhaltung der geltenden lokalen und nationalen Normen durchzuführen. Der Installateur ist für die Installation des Gerätes und für die Einhaltung der nationalen Vorschriften hinsichtlich der Installation verantwortlich. Der Hersteller übernimmt keine Haftung im Fall einer Nichteinhaltung der geltenden nationalen Installationsnormen.
- Mit Ausnahme der in dieser Anleitung beschriebenen einfachen Wartung durch den Benutzer muss das Produkt durch einen qualifizierten Fachmann gewartet werden.
- Eine falsche Installation und/oder ein unsachgemäßer Gebrauch kann zu Sachschäden und schweren Körperverletzungen, ja sogar zum Tod führen.
- Die zulässigen Gleichgewichtswerte des Wassers für den Betrieb des Gerätes können den Garantiebedingungen entnommen werden.

- Jede Deaktivierung, Entfernung oder Umgehung eines der in das Gerät integrierten Sicherheitselemente führt automatisch zu einer Aufhebung der Garantie; das gleiche gilt für die Verwendung von Ersatzteilen eines nicht zugelassenen Drittlieferanten.
- Es darf kein Insektizid oder anderes (entzündbares oder nicht entzündbares) chemisches Produkt auf das Gerät gesprüht werden, weil dadurch das Gehäuse beschädigt und ein Brand ausgelöst werden kann.
- Der Ventilator und die beweglichen Teile dürfen während des Betriebs des Gerätes nicht berührt werden und es dürfen keine Gegenstände oder Finger in die Nähe der beweglichen Teile gesteckt werden. Die beweglichen Teile können schwere und sogar tödliche Verletzungen verursachen.
- Bitte halten Sie den Display-Controller an einem trockenen Ort oder schließen Sie die Isolationsabdeckung, um den Display-Controller vor Beschädigung durch Feuchtigkeit zu schützen.

WARNMELDUNGEN IN ZUSAMMENHANG MIT ELEKTRISCHEN GERÄTEN

- Die Stromversorgung des Gerätes muss durch eine eigene Fehlerstromschutzeinrichtung von 30 mA gemäß den am Installationsort geltenden Normen geschützt werden.
- Zum Anschluss des Gerätes kein Verlängerungskabel verwenden; es direkt an einen passenden Versorgungsstromkreis anschließen.
- Ist ein ortsfestes Gerät nicht mit einem Netzkabel und einem Stecker oder einem anderen Mittel zur Trennung vom Stromnetz mit einer allpoligen Kontakttrennung ausgestattet, die im Falle einer Überspannung der Kategorie III eine vollständige Trennung ermöglicht, so ist in der Anleitung anzugeben, dass die Trennmittel gemäß den Verdrahtungsregeln in die feste Verkabelung integriert werden müssen.
- Im Stromkreis des Gerätes muss eine geeignete Trennvorrichtung installiert werden, die alle lokalen und nationalen Anforderungen der Überspannungskategorie III erfüllt und allpolig vom Stromkreis trennt. Diese Trennvorrichtung ist nicht im Lieferumfang des Gerätes enthalten und muss vom Installateur gestellt werden.
- Vor jeder Nutzung ist Folgendes zu prüfen:
die auf dem Typenschild des Gerätes angegebene Spannung stimmt mit der Netzspannung überein, das Stromnetz ist für die Nutzung des Gerätes geeignet und es verfügt über einen Erdungsanschluss, der Netzstecker passt (ggf.) in die Steckdose.
- Das Gerät darf während des Betriebs nicht vom Stromnetz getrennt und wieder angeschlossen werden.
- Zum Ziehen des Steckers darf nicht am Stromkabel gezogen werden.
- Wenn das Stromkabel beschädigt ist, muss es zur Gewährleistung der Sicherheit vom Hersteller, von seinem Wartungsdienst oder von einem anderen qualifizierten Fachmann ersetzt werden.
- Keine Wartungs- oder Instandsetzungsarbeiten mit feuchten Händen oder an einem feuchten Gerät durchführen.
- Bevor das Gerät an die Stromquelle angeschlossen wird, sicherstellen, dass der Anschlussblock oder der Stromanschluss, an den das Gerät angeschlossen werden soll, in Ordnung ist und weder Schäden noch Rostspuren aufweist.
- Bei Gewitter muss das Gerät vom Stromnetz getrennt werden, um eine Beschädigung durch Blitzeinschlag zu vermeiden.
- Das Gerät darf nicht in Wasser oder Schlamm getaucht werden.

WARNHINWEISE IN ZUSAMMENHANG MIT GERÄTEN, DIE KÄLTEMITTEL ENTHALTEN

- R32 ist ein Kältemittel der Kategorie A2L, das als potenziell entzündbar gilt.
- Lassen Sie das Kältemittel R32 nicht in Atmosphäre entweichen. Dieses Fluid ist ein fluoriertes Treibhausgas, das vom Kyoto-Protokoll gedeckt wird, mit einem Treibhauspotenzial (GWP) von 675 (EU-Verordnung Nr. 517/2014).
- Das Gerät muss an einem gut belüfteten Ort fernab von jeglicher Flammequelle gelagert werden.

- Das Gerät im Freien installieren. Das Gerät nicht im Innenbereich oder in einem eingezäunten, nicht belüfteten Außenbereich installieren.
- Keine anderen Mittel zur Beschleunigung des Abtau- oder Reinigungsprozesses als die vom Hersteller empfohlenen verwenden.
- Das Gerät muss in einem Raum ohne Funkenquelle im Dauerbetrieb gelagert werden (z. B. offene Flammen, Gasgerät im Betrieb oder elektrische Heizung im Betrieb).
- Nicht durchbohren oder verbrennen.
- Es ist zu beachten, dass das Kältemittel R32 einen gewissen Geruch freisetzen kann.
- Um die einschlägigen Umwelt- und Installationsnormen und -vorschriften, insbesondere den französischen Erlass Nr. 2015-1790 und/oder die EU-Verordnung 517/2014, einzuhalten, muss mindestens einmal jährlich eine Dichtheitsprüfung des Kühlsystems durchgeführt werden. Dieser Vorgang muss von einem zertifizierten Kühlgerätefachmann durchgeführt werden.
- Bitte bewahren Sie den Display-Controller an einem trockenen Ort auf oder schließen Sie die Isolationsabdeckung, um den Display-Controller vor Beschädigung durch Feuchtigkeit zu schützen.

WARTUNG: WARNHINWEISE IN ZUSAMMENHANG MIT GERÄTEN, DIE KÄLTEMITTEL R32 ENTHALTEN

- Während der Instandhaltungsphase des Geräts müssen die Zusammensetzung und der Zustand des Wärmeübertragungsmittels sowie das Fehlen von Spuren des Kältemittels kontrolliert werden.
- Während der jährlichen Dichtheitskontrolle des Gerätes muss den geltenden Gesetzen entsprechend überprüft werden, dass die Hoch- und Niederdruckschalter richtig an den Kältemittelkreislauf angeschlossen sind und beim Auslösen den Stromkreis ausschalten.
- Während der Wartungsphase muss man sich vergewissern, dass keine Spuren von Korrosion oder Ölflecken im Umkreis der Kältekomponenten vorhanden sind.
- Löten oder schweißen Sie das Rohr nicht, wenn sich Kältemittel in der Maschine befindet. Bitte laden Sie das Gas nicht auf engstem Raum auf.

Überprüfung des Bereichs

- Vor Beginn der Arbeiten an Anlagen, die brennbare Kältemittel enthalten, sind Sicherheitsüberprüfungen erforderlich, um sicherzustellen, dass die Gefahr von Funkenbildung gering ist.

-

Arbeitsverfahren

- Die Arbeiten müssen nach einem kontrollierten Verfahren durchgeführt werden, um die Gefahr der Freisetzung von brennbaren Gasen oder Dämpfen während der Arbeiten zu verringern.
- Vor jedem Eingriff am Kältemittelkreislauf muss das Gerät unbedingt abgestellt und ein paar Minuten gewartet werden, bevor Temperatur- oder Druckfühler angebracht werden, da manche Komponenten wie der Kompressor und die Rohrleitungen Temperaturen von über 100 °C und hohen Druck erreichen können, die möglicherweise zu schweren Verbrennungen führen.

Allgemeiner Arbeitsbereich

- Das gesamte Wartungspersonal und andere in der unmittelbaren Umgebung tätige Personen müssen über die durchgeführten Arbeiten auf dem Laufenden gehalten werden. Arbeiten in engen Räumen müssen vermieden werden.

Überprüfung des Vorhandenseins von Kältemittel

- Der Bereich muss vor und während der Arbeiten mit einem geeigneten Kältemitteldetektor überprüft werden, damit der Techniker auf das Vorhandensein einer potenziell toxischen oder brennbaren

Atmosphäre aufmerksam gemacht wird. Sicherstellen, dass der verwendete Leckdetektor für den Einsatz bei allen betroffenen Kältemitteln geeignet ist, d. h. es kann keine Funken verursachen, ist ordnungsgemäß isoliert oder vollkommen sicher.

•

Vorhandensein eines Feuerlöschers

• Sollen Arbeiten an der Kälteanlage oder den zugehörigen Teilen bei einer bestimmten Temperatur durchgeführt werden, müssen geeignete Feuerlöscher leicht erreichbar sein. Einen Pulver- oder CO₂-Löscher in der Nähe des Arbeitsbereichs anbringen.

Keine Zündquelle

• Niemand, der an einer Kälteanlage arbeitet und die Rohrleitungen freilegen muss, darf eine Funkenquelle verwenden, von der eine Brand- oder Explosionsgefahr ausgehen könnte. Alle möglichen Funkenquellen, insbesondere Zigaretten, müssen ausreichend von der Installations-, Reparatur-, Demontage- oder Entsorgungsstelle ferngehalten werden, wenn Kältemittel möglicherweise in die Umgebung freigesetzt werden kann. Vor Beginn der Arbeiten ist der Bereich um das Gerät herum auf Brand- und Funkengefahr zu untersuchen. Es müssen Schilder mit „Rauchverbot“ angebracht werden.

Belüftung des Bereichs

• Bevor das Gerät in irgendeiner Weise für Wartungsarbeiten benutzt wird, ist sicherzustellen, dass der Bereich offen und gut belüftet ist. Eine angemessene Belüftung, die eine sichere Dispersion des möglicherweise in die Atmosphäre freigesetzten Kältemittels ermöglicht, muss während der Wartung des Gerätes gewährleistet sein.

Überprüfung der Kälteanlage

• Die Pflege- und Wartungsempfehlungen des Herstellers sind immer zu beachten. Beim Austausch elektrischer Komponenten ist darauf zu achten, dass nur Komponenten desselben Typs und derselben Kategorie verwendet werden, die vom Hersteller empfohlen/genehmigt sind. Wenden Sie sich im Zweifelsfall an den technischen Kundendienst des Herstellers.

• Die folgenden Prüfungen sind auf Anlagen anzuwenden, die brennbare Kältemittel verwenden: Markierungen auf dem Gerät müssen sichtbar und lesbar bleiben, unlesbare Markierungen oder Signale müssen korrigiert werden;

Kältemittelleitungen oder -komponenten werden an einer Position verlegt, an der es unwahrscheinlich ist, dass sie einer Substanz ausgesetzt sind, die kältemittelhaltige Komponenten angreifen könnte, es sei denn, die Komponenten bestehen aus normalerweise korrosionsbeständigen Materialien oder sind ordnungsgemäß gegen diese Korrosion geschützt.

Überprüfung der elektrischen Komponenten

• Die Reparatur und Wartung von elektrischen Komponenten muss erste Sicherheitsüberprüfungen und Komponenteninspektionsverfahren beinhalten. Wenn ein Fehler auftritt, der die Sicherheit beeinträchtigen könnte, darf keine Stromversorgung an den Stromkreis angeschlossen werden, bis der Fehler vollständig behoben ist. Muss die Arbeit fortgesetzt werden, obwohl der Fehler nicht sofort behoben werden kann, muss eine geeignete Übergangslösung gefunden werden. Dies ist dem Eigentümer des Geräts mitzuteilen, damit alle Beteiligten informiert werden.

• Die Reparatur und Wartung von elektrischen Komponenten muss die folgenden ersten Sicherheitsüberprüfungen beinhalten:

die Kondensatoren sind entladen: Dies muss unter sicheren Bedingungen geschehen, um Funkenbildung zu vermeiden;

während des Ladevorgangs, der Überholung oder Spülung des Systems liegen keine elektrischen Komponenten oder Stromversorgungen frei;

Die Erdungsverbindung muss ständig vorhanden sein.

Reparatur an isolierten Komponenten

- Bei Reparaturen an isolierten Komponenten müssen alle Stromversorgungen vom Gerät, an dem die Arbeiten durchgeführt werden, getrennt werden, bevor die Isolierabdeckung entfernt wird usw. Wenn das Gerät während der Wartung unbedingt mit Strom versorgt werden muss, muss ein Leckdetektor im Dauerbetrieb an der kritischsten Stelle angebracht werden, um jede potenziell gefährliche Situation zu melden.
- Um sicherzustellen, dass bei Arbeiten an elektrischen Komponenten das Gehäuse nicht so verändert wird, dass das Schutzniveau beeinträchtigt wird, sind die folgenden Punkte besonders zu beachten. Dazu gehören beschädigte Kabel, übermäßige Anzahl von Anschlüssen, Klemmen, die nicht den ursprünglichen Eigenschaften entsprechen, beschädigte Dichtungen, unsachgemäße Installation von Kabelverschraubungen usw.
- Sicherstellen, dass das Gerät richtig befestigt ist.
- Sicherstellen, dass die Dichtungen oder Isoliermaterialien nicht so weit beschädigt sind, dass sie nicht mehr verhindern, dass eine brennbare Atmosphäre in den Kreislauf gelangt. Die Ersatzteile müssen den Spezifikationen des Herstellers entsprechen.

Reparatur von eigensicheren Komponenten

- Keine dauerhafte Induktions- oder elektrische Kapazitätsbelastung an den Stromkreis anwenden, ohne sicherzustellen, dass sie die für das verwendete Gerät zulässige Spannung und den zulässigen Strom nicht überschreitet.
- Eigensichere Komponenten sind die einzigen Typen, bei denen es möglich ist, unter Spannung in Gegenwart einer brennbaren Atmosphäre zu arbeiten. Das Testgerät muss zur entsprechenden Klasse gehören.
- Die Komponenten dürfen nur durch vom Hersteller angegebene Teile ersetzt werden. Andere Teile könnten das Kältemittel in der Atmosphäre aufgrund einer Leckage entzünden.

Verkabelung

- Sicherstellen, dass die Verkabelung frei von Verschleiß, Korrosion, Überdruck, Vibrationen, scharfen Kanten oder anderen schädlichen Umgebungseinflüssen ist. Bei der Steuerung müssen auch die Auswirkungen der Alterung oder der ständigen
- Vibrationen durch Quellen wie Kompressoren oder Ventilatoren berücksichtigt werden.

Erkennung von brennbaren Kältemitteln

- Unter keinen Umständen dürfen potenzielle Funkenquellen zur Suche nach Kältemittelleckagen oder zur Erkennung von Kältemittelleckagen verwendet werden. Eine Halogenlampe (oder ein anderer Detektor mit offener Flamme) darf nicht verwendet werden.
- Die folgenden Lecksuchmethoden gelten für alle Kälteanlagen als zulässig.
- Elektronische Leckdetektoren können zur Erkennung von Kältemittelleckagen verwendet werden, aber im Falle von brennbarem Kältemittel ist die Empfindlichkeit möglicherweise nicht ausreichend oder muss neu

kalibriert werden. (Die Leckdetektoren müssen an einem Ort kalibriert werden, an dem kein Kältemittel vorhanden ist.) Sicherstellen, dass der Detektor keine potenzielle Zündquelle ist und für das verwendete Kältemittel geeignet ist. Die Leckdetektoren müssen auf einen Prozentsatz des LFL des Kältemittels eingestellt und in Abhängigkeit vom verwendeten Kältemittel kalibriert sein. Der geeignete Gasanteil (maximal 25 %) muss bestätigt werden.

- Lecksuchflüssigkeiten eignen sich auch für die meisten Kältemittel, aber die Verwendung von chlorhaltigen Reinigungsmitteln sollte vermieden werden, da sie mit dem Kältemittel reagieren und die Kupferleitungen angreifen können.
- Bei Verdacht auf eine Leckage müssen alle offenen Flammen entfernt/gelöscht werden.
- Wenn ein Kältemittelleck erkannt wird, das einen Löteingriff erfordert, muss das gesamte Kältemittel aus dem System entfernt oder (durch Absperrventile) in einem vom Leck entfernten Teil des Systems isoliert werden.

Entnahme und Evakuierung

- Beim Zugang zum Kältekreislauf für Reparaturen oder aus anderen Gründen müssen herkömmliche Verfahren angewendet werden. Bei brennbaren Kältemitteln ist es jedoch unerlässlich, die Empfehlungen zu befolgen, da die Entflammbarkeit berücksichtigt werden muss. Die folgende Vorgehensweise ist einzuhalten:
Kältemittel entfernen;
den Kreislauf mit einem Inertgas spülen (optional für A2L);
evakuieren (optional für A2L);
mit einem Inertgas spülen (optional für A2L);
den Kreislauf durch Schneiden oder Löten öffnen.
- Die Kältemittelfüllung muss in den entsprechenden Rückgewinnungsflaschen rückgewonnen werden. Bei Geräten, die andere brennbare Kältemittel als A2L enthalten, muss das System mit sauerstofffreiem Stickstoff gespült werden, damit das Gerät für die Aufnahme von brennbarem Kältemittel geeignet ist. Es kann notwendig sein, diesen Vorgang mehrmals zu wiederholen. Druckluft oder Sauerstoff darf nicht zum Spülen von Kälteanlagen verwendet werden.

Ladeverfahren

- Sicherstellen, dass sich der Ausgang der Vakuumpumpe nicht in der Nähe einer potenziellen Funkenquelle befindet und dass eine Belüftung verfügbar ist.
- Zusätzlich zu den herkömmlichen Ladeverfahren müssen die folgenden Anforderungen erfüllt sein.
- Sicherstellen, dass beim Einsatz von Füllgeräten keine Verunreinigungen zwischen verschiedenen Kältemitteln möglich sind. Schläuche oder Leitungen müssen so kurz wie möglich sein, um die Menge des darin enthaltenen Kältemittels zu reduzieren.
- Die Flaschen müssen gemäß den Anweisungen in einer geeigneten Position gehalten werden.
- Sicherstellen, dass die Kälteanlage geerdet ist, bevor sie mit Kältemittel befüllt wird.
- Das System nach dem Laden beschriften (falls nicht bereits geschehen).
- Es ist besonders darauf zu achten, dass die Kälteanlage nicht überfüllt wird.
- Vor dem Wiederaufladen des Systems muss eine Druckprüfung mit dem entsprechenden Spülgas durchgeführt werden. Das System muss am Ende der Ladung, aber vor der Inbetriebnahme auf Dichtheit überprüft werden. Vor dem Verlassen des Standorts muss eine Folgedichtheitsprüfung durchgeführt werden.

Demontage

- Vor der Durchführung eines Demontagevorgangs ist es unbedingt erforderlich, dass sich der Techniker mit dem Gerät und seinen Eigenschaften vertraut gemacht hat. Es wird besonders empfohlen, alle Kältemittel sorgfältig rückzugewinnen. Vor der Durchführung dieser Aufgabe muss eine Öl- und Kältemittelprobe entnommen werden, wenn Analysen erforderlich sind, bevor das rückgewonnene Kältemittel wieder verwendet wird. Vor Beginn der Arbeit ist es unbedingt erforderlich, die Spannungsversorgung zu überprüfen.

1. Machen Sie sich mit dem Gerät und seiner Bedienung vertraut.

2. Das System elektrisch isolieren.

3. Vor Beginn des Verfahrens ist Folgendes sicherzustellen:

für die Handhabung der Kältemittelflaschen stehen bei Bedarf mechanische Handhabungsgeräte zur Verfügung;

alle persönlichen Schutzausrüstungen sind vorhanden und werden ordnungsgemäß verwendet;

der Rückgewinnungsprozess wird jederzeit von einer kompetenten Person überwacht;

die Rückgewinnungsgeräte und -flaschen entsprechen den einschlägigen Normen.

4. Das Kühlsystem evakuieren, wenn möglich.

5. Wenn kein Vakuum erzeugt werden kann, einen Verteiler installieren, damit das Kältemittel an verschiedenen Stellen des Systems entfernt werden kann.

6. Sicherstellen, dass die Flasche auf den Waagen steht, bevor mit den Rückgewinnungsvorgängen begonnen wird.

7. Die Rückgewinnungsmaschine starten und gemäß den Anweisungen bedienen.

8. Die Flaschen nicht überfüllen (nicht mehr als 80 % des Volumens der Flüssigkeitsladung).

9. Den maximalen Betriebsdruck der Flasche auch vorübergehend nicht überschreiten.

10. Wenn die Flaschen ordnungsgemäß befüllt sind und der Prozess abgeschlossen ist, sicherstellen, dass die Flaschen und Geräte schnell vom Standort entfernt werden und dass die alternativen Sperrventile an der Anlage geschlossen sind.

11. Das rückgewonnene Kältemittel darf nicht in eine andere Kälteanlage eingefüllt werden, es sei denn, es wurde gereinigt und kontrolliert.

FEHLERBEHEBUNG

- Jeder Lötgriff muss von Fachleuten vorgenommen werden.

- Der Austausch der Rohrleitungen darf nur mit Kupferrohr durchgeführt werden, das der Norm NF EN 12735-1 entspricht.

- Auffinden von Undichtigkeiten, Testfall unter Druck:

nie Sauerstoff oder trockene Luft verwenden, Brand- oder Explosionsgefahr,

dehydratisierten Stickstoff oder eine Mischung aus Stickstoff und auf dem Typenschild angegebenem Kühlmittel verwenden,

der Druck der Nieder- und Hochdruckprüfung darf nicht 42 bar überschreiten, wenn das Gerät mit dem optionalen Manometer ausgestattet ist.

- Für die Rohrleitungen des Hochdruckkreislaufs, die mit einem Kupferrohr mit dem Durchmesser von = oder $> 1\frac{5}{8}$ ausgeführt sind, muss gemäß § 2.1 der Norm NF EN 10204 vom Lieferanten eine Bescheinigung angefordert und in den technischen Unterlagen der Installation aufbewahrt werden.

- Die technischen Informationen über die Sicherheitsanforderungen der einzelnen anwendbaren Richtlinien sind auf dem Typenschild angegeben. Alle diese Angaben müssen in der Installationsanleitung des Gerätes registriert sein, die sich in den technischen Unterlagen der Maschine befinden muss: Modell, Code, Seriennummer, max. und min. TS, PS, Herstellungsjahr, CE-Kennzeichnung, Anschrift des Herstellers,

Kältemittel und Gewicht, elektrische Parameter, thermodynamische und akustische Leistungen.

ETIKETTIERUNG

- Das Gerät ist mit einem Etikett zu versehen, aus dem hervorgeht, dass es außer Betrieb genommen und das Kältemittel abgelassen wurde.
- Das Etikett muss datiert und unterschrieben sein.
- Bei Geräten, die ein brennbares Kältemittel enthalten, ist darauf zu achten, dass auf den Geräten Etiketten angebracht sind, die darauf hinweisen, dass sie ein brennbares Kältemittel enthalten.

RÜCKGEWINNUNG

- Beim Ablassen des Kältemittels, bei der Wartung oder Außerbetriebnahme wird empfohlen, gute Praktiken zum sicheren Ablassen des gesamten Kältemittels zu befolgen.
- Beim Umfüllen von Kältemittel in eine Flasche ist darauf zu achten, dass eine für das Kältemittel geeignete Rückgewinnungsflasche verwendet wird. Sicherstellen, dass die richtige Anzahl von Flaschen vorhanden ist, um die gesamte Flüssigkeit zurückzugewinnen. Alle zu verwendenden Flaschen müssen für die Kältemittelrückgewinnung ausgelegt sein und Etiketten für das jeweilige Kältemittel aufweisen. Die Flaschen müssen mit einem Vakuumventil und Absperrventilen in einwandfreiem Zustand ausgestattet sein. Leere Rückgewinnungsflaschen werden evakuiert und, wenn möglich, vor der Rückgewinnung gekühlt.
- Das Rückgewinnungsgerät muss in einwandfreiem Zustand sein, die Bedienungsanleitung des Gerätes muss leicht zugänglich sein und das Gerät muss für das betreffende Kältemittel, gegebenenfalls auch für das brennbare Kältemittel, geeignet sein. Darüber hinaus muss ein Satz kalibrierter Waagen verfügbar und in einwandfreiem Zustand sein. Die Leitungen müssen vollständig, leckagefrei, frei von losen Verbindungen und in gutem Zustand sein. Bevor das Rückgewinnungsgerät verwendet wird, muss sichergestellt werden, dass es in einwandfreiem Zustand ist, dass es ordnungsgemäß gewartet wurde und dass die zugehörigen elektrischen Komponenten versiegelt sind, um zu verhindern, dass bei Freisetzung von Kältemittel ein Brand entsteht. Wenden Sie sich im Zweifelsfall an den Hersteller.
- Das rückgewonnene Kältemittel muss in der Rückgewinnungsflasche mit einem Abfalltransportschein an den Kältemittellieferanten zurückgesandt werden. Es dürfen keine unterschiedlichen Kältemittel in den Rückgewinnungseinheiten, insbesondere in den Flaschen, vermischt werden.
- Wenn der Kompressor entfernt oder das Kompressoröl abgelassen wird, ist sicherzustellen, dass das Kältemittel abgelassen wurde, um zu verhindern, dass es sich mit dem Schmiermittel vermischt. Der Entleerungsvorgang muss durchgeführt werden, bevor der Kompressor an den Lieferanten zurückgesandt wird. Zur Beschleunigung dieses Vorgangs darf nur die elektrische Heizung des Kompressorgehäuses verwendet werden. Wenn alle Flüssigkeiten in einem System abgelassen werden, muss dieser Vorgang unter sicheren Bedingungen durchgeführt werden.



RECYCLING

Dieses von der europäischen WEEE-Richtlinie 2012/19/EU (Richtlinie über Elektro- und Elektronik-Altgeräte) vorgeschriebene Symbol bedeutet, dass Sie Ihr Gerät nicht mit dem Haushaltsmüll entsorgen dürfen. Es muss getrennt gesammelt werden, damit es wiederverwendet, recycelt oder verwertet werden kann. Wenn es potenziell umweltgefährdende Stoffe enthält, müssen diese entsorgt oder neutralisiert werden. Ihr Händler kann Sie über die Recyclingbedingungen informieren.

FSN ON/OFF -5°C

Benutzer- und Servicehandbuch

INDEX

1. Spezifikationen
2. Dimension
3. Installation und Verbindung
4. Zubehör
5. Elektrische Verkabelung
6. Display Controller-Betrieb
7. Fehlersuche
8. Explosionszeichnung
9. Wartung

Vielen Dank für die Verwendung unserer Wärmepumpe, um Ihr Schwimmbad zu heizen. Es wird ihr Poolwasser aufheizen und auf einer konstanten Temperatur halten, wenn die Außentemperatur zwischen -5 und 43 °C liegt.

 **ACHTUNG:** Dieses Handbuch beinhaltet alle Informationen die für die Benutzung und die Installation ihrer Wärmepumpe erforderlich sind.

Der Installateur muss das Handbuch gründlich durchlesen und den Anweisungen strikt folgen, sowohl bei der Implementierung als auch bei der Wartung. Bitte geben Sie dieses Handbuch für später während der gesamten Lebensdauer des Geräts weiter.

Der Installateur ist verantwortlich für die Installation des Produkts und sollte allen Anweisungen des Herstellers sowie allen Vorschriften in den Anwendungen folgen. Inkorrekte Installation gegen die Anweisungen des Handbuchs macht die Garantie nichtig.

Der Hersteller lehnt jede Verantwortung ab für Schäden die durch Menschen, Objekte oder Fehler die auf Nichtbefolgung von Anweisungen im Handbuch beruhen. Jede Nutzung die bei der Herstellung nicht vorgesehen war wird als gefährlich eingestuft.

1. Spezifikationen

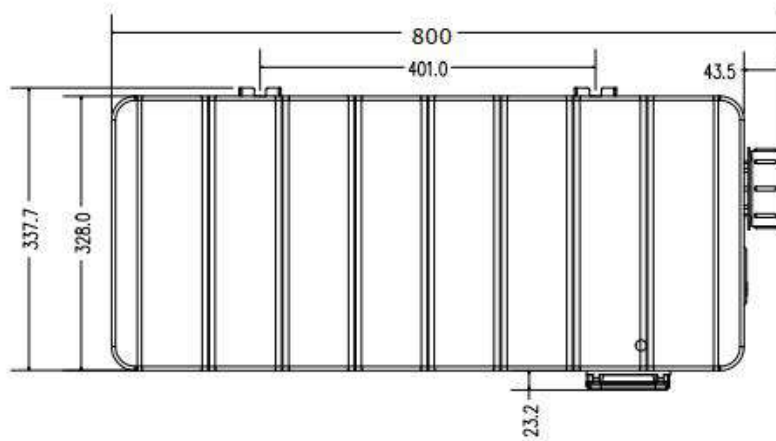
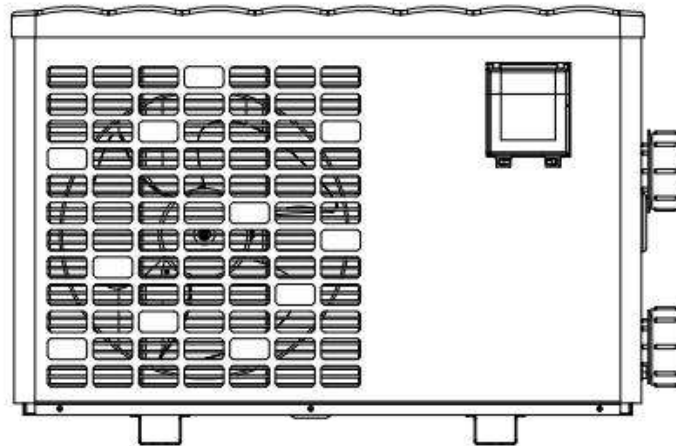
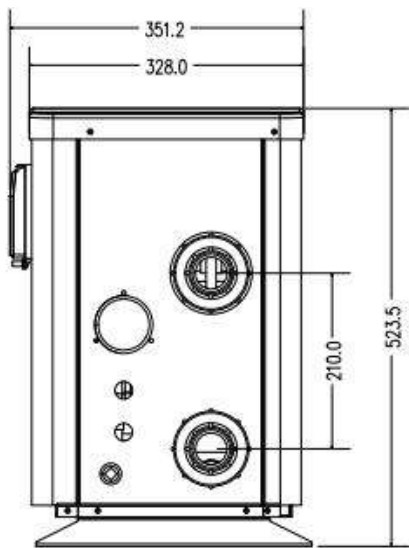
1.1 Technische Daten

Modell		74143	74144	74145	74146	74147
Code		FSN-05	FSN-08	FSN-11	FSN-14	FSN-17
* Leistung bei Luft 28 °C, Wasser 28 °C, Luftfeuchtigkeit 80%						
Heizkapazität	kW	5	7.5	11	14	16.5
Leistungsaufnahme	kW	1	1.4	2.2	2.6	2.9
COP		5	5.4	5	5.4	5.7
* Leistung bei Luft 15 °C, Wasser 26 °C, Luftfeuchtigkeit 70%						
Heizkapazität	kW	3.5	5.5	7.5	9.5	11.5
Leistungsaufnahme	kW	0.9	1.3	1.8	2.3	2.50
COP		4	4.4	4.3	4.2	4.6
* Allgemeine Information						
Kompressor		Rotary/R32				
Stromversorgung	V	220-240V/50Hz/1PH				
Betriebsstrom	A	4.3	6.0	9.4	11.1	12.8
Mini- Sicherung	A	12	17	26	31	35
Empfohlene Wasserströmung	m ³ /h	2.5~3.2	2.5~3.7	3.5~7.1	4~7.9	4.6~9.3
Maximaler Druckverlust	Kpa	12	12	15	15	15
Kondensator		Twisted Titanium exchanger in PVC				
Wasserverbindung	mm	50				
Lüftermenge		1				
Belüftungsart		Horizontal				
Geräuschpegel at 10m	dB(A)	31	32	35	37	37
Geräuschpegel at 1m	dB(A)	49	50	52	54	54
Kältemittelmenge	g	400	550	950	1000	1000
CO2-Äquivalent	Tonne	0.27	0.37	0.64	0.68	0.68
* Dimension/Weight						
Nettogewicht	Kg	38	48	54	72	76
Verpackungsgewicht	Kg	40	50	56	76	84
Gesamtausmaße	mm	800*360.9*523.5	977.6*396.2*571.5	1102.3*432.7*703.7		
Verpackungsgewicht	mm	875*385*560	1055*420*605	1125*490*728		

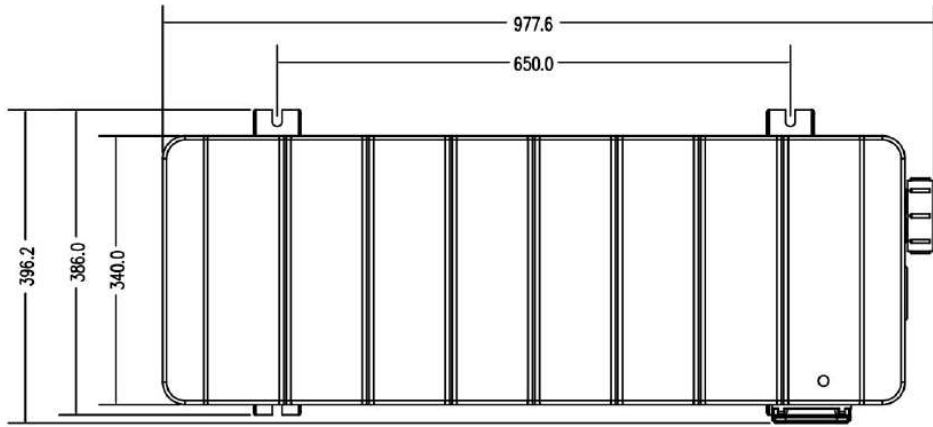
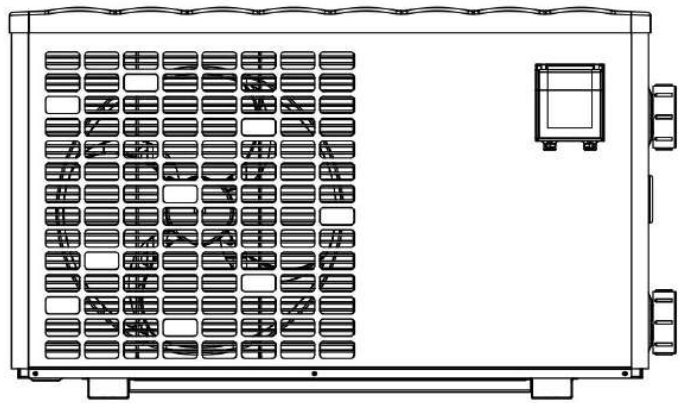
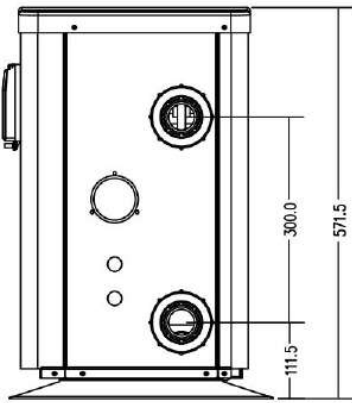
* Obriige Daten können ohne vorherige Ankündigung geändert werden

2. Dimension (mm)

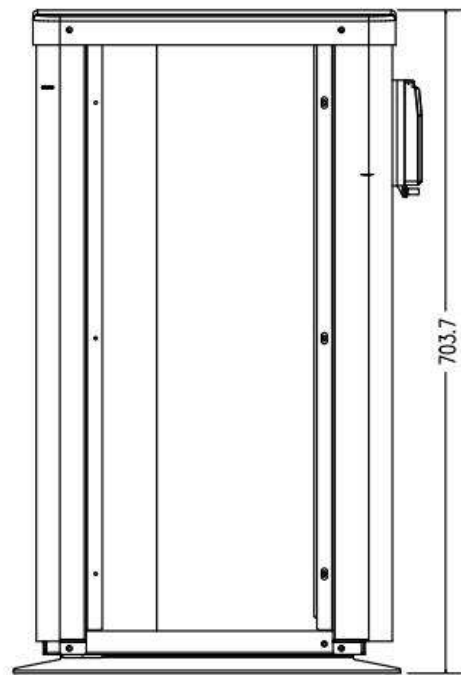
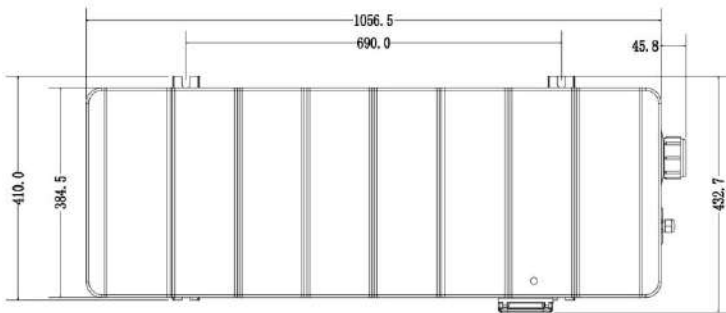
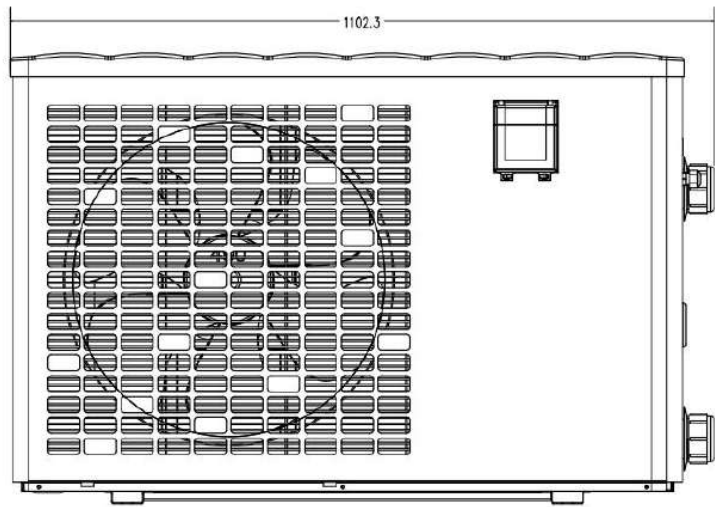
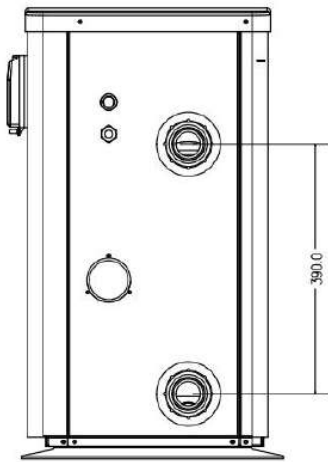
Modell :FSN-05



Modell :FSN-08 & FSN-11



Modell :FSN-14 & FSN-17



3. Installation und Anschluss

3.1 Anmerkungen

Die Fabrik liefert nur die Wärmepumpe. Alle anderen Komponenten, einschließlich eines Bypasses wenn nötig, müssen durch den Benutzer oder den Installateur gestellt werden.

Achtung:

Bitte halten Sie beim Installieren der Wärmepumpe folgende Regeln ein:

1. Jeder Zusatz von Chemikalien muss in der Rohrleitung stromabwärts der Wärmepumpe stattfinden.
2. Installieren Sie eine Bypass, wenn der Wasserfluss aus der Schwimmbadpumpe mehr als 20% größer ist als der maximal zulässige Durchfluss durch den Wärmetauscher der Wärmepumpe ist.
3. Installieren Sie die Wasserpumpe über dem Wasserspiegel.
4. Stellen Sie die Wärmepumpe immer auf ein solides Fundament und bringen Sie die mitgelieferten Gummilager an um Vibrationen und Lärm zu vermeiden.
5. Die Wärmepumpe sollte immer lotrecht gehalten werden. Wenn das Gerät in einem Winkel gehalten wurde, warten Sie mindestens 24 Stunden bevor Sie sie verwenden.

3.2 Positionierung der Wärmepumpe

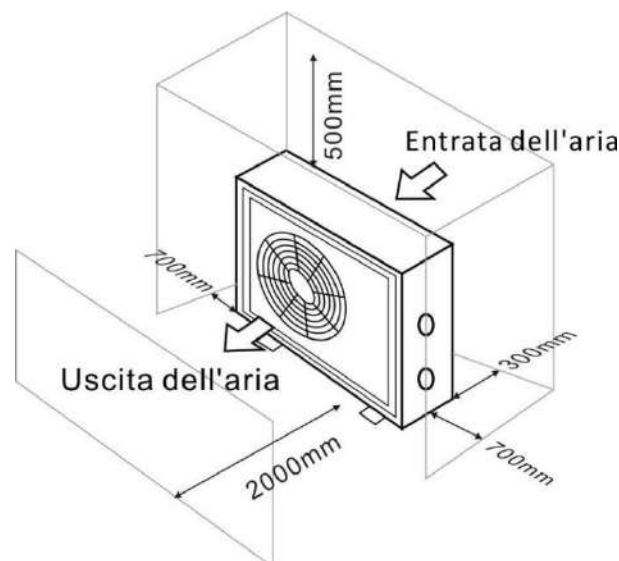
Die Einheit wird an jeder gewünschten Position richtig arbeiten, solange die folgenden drei Elemente vorhanden sind:

- 1. Frische Luft – 2. Elektrizität – 3. Schwimmbecken-filter**

Die Einheit kann praktisch an jedem Standort im Außenbereich installiert werden, solange die angegebenen Mindestabstände zu anderen Objekten eingehalten werden (siehe Zeichnung unten). Bitte konsultieren Sie für die Installation an einem Indoor-pool einen Installateur. Die Installation an einem windigen Ort bereitet, anders als bei einem Gas-Heizer keinerlei Probleme.

ACHTUNG: Installieren Sie die Einheit niemals in einem geschlossenen Raum mit begrenztem Luftvolumen, wo die von der Einheit ausgestoßene Luft wiederverwendet wird, oder nahe an Sträuchern, die den Lufteinzug blockieren könnten. Solche Positionen beeinträchtigen die kontinuierliche Zufuhr von Frischluft, was die Effizienz reduziert, und möglicherweise auch die Wärmeabgabe behindert.

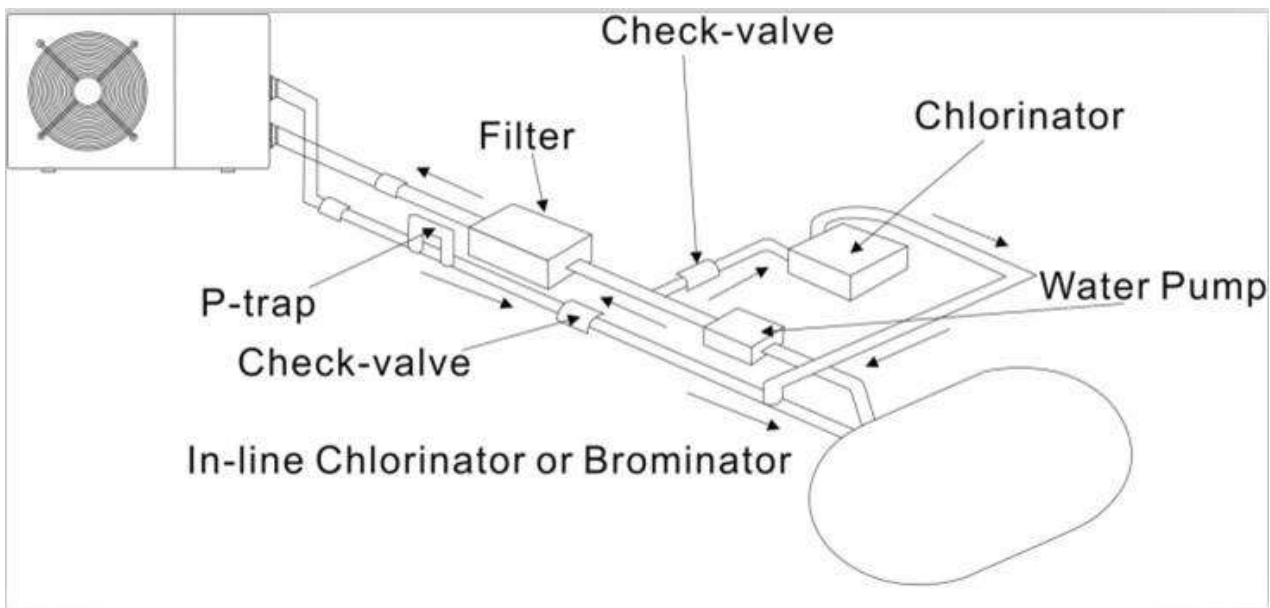
Für die minimalen Maße siehe Zeichnung unten:



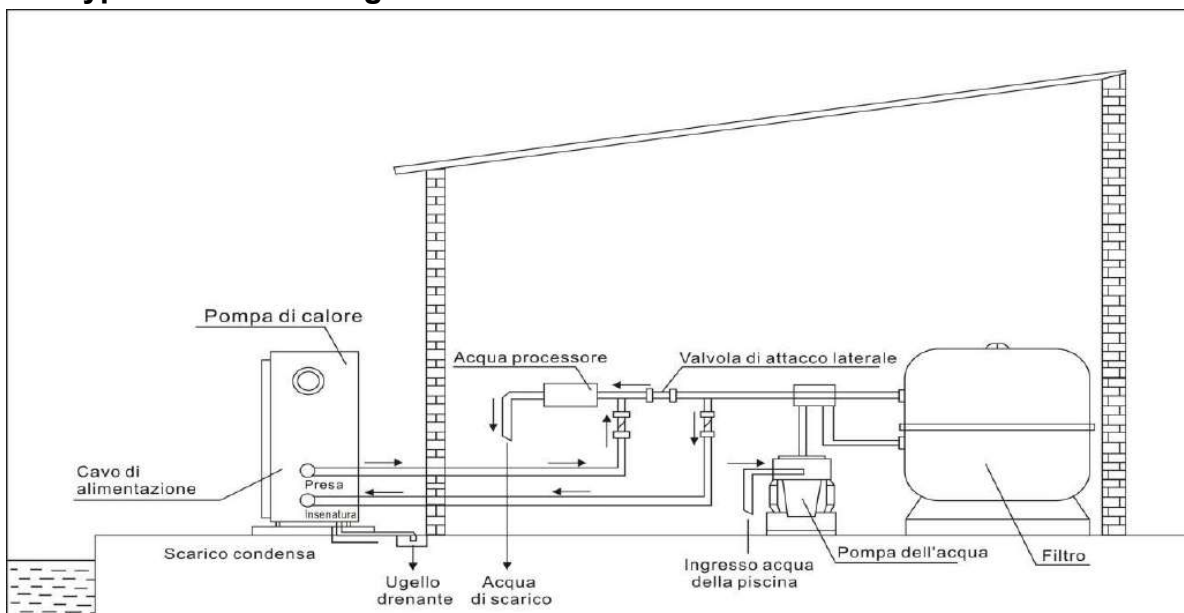
3.3 Installation des Sperrventils

Hinweis: Wenn ein automatisches Dosiergerät für den Chlor und Säuregehalt (pH) verwendet wird, ist es wichtig, die Wärmepumpe vor zu hohen chemischen Konzentrationen, die den Wärmetauscher korrodieren könnten, zu schützen. Aus diesem Grund müssen Geräte dieser Art stets in der Rohrleitung auf der stromabwärtigen Seite der Wärmepumpe montiert werden, und es wird empfohlen, ein Rückschlagventil zu installieren, um eine Rückströmung in der Abwesenheit von Wasserzirkulation zu verhindern.

Schäden an der Wärmepumpe, die durch Nichtbeachten dieser Vorschrift entstehen, werden nicht durch die Garantie gedeckt.

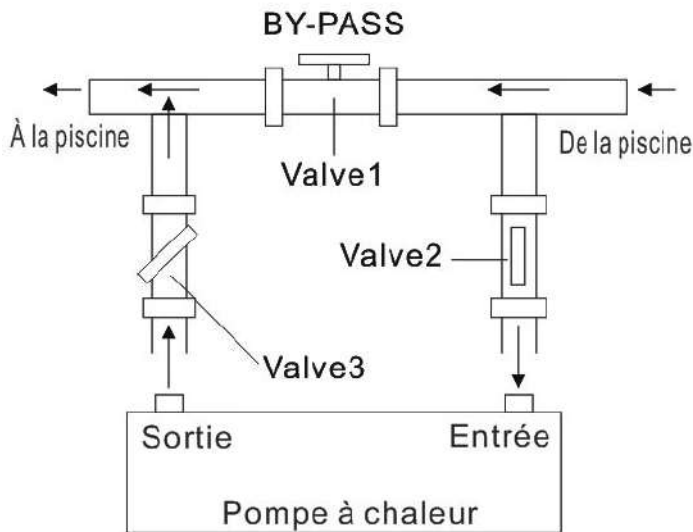


3.4 Typische Anordnung



Anmerkung: Diese Anordnung ist nur ein illustratives Beispiel.

3.5 Einstellen des Bypasses



Bitte führen Sie die folgenden Schritte aus, um den Bypass anzupassen:

1. Ventil 1 weit geöffnet. Ventil 2 und Ventil 3 geschlossen.
2. Ventil 2 und Ventil 3 halb öffnen, danach Ventil 1 langsam schließen, um den Wasserdurchfluss zu Ventil 2 und Ventil 3 zu erhöhen.
3. Wenn auf dem Display "ON" oder "EE3" angezeigt wird, bedeutet dies, dass der Wasserfluss in die Wärmepumpe nicht ausreicht. Dann müssen Sie die Ventile anpassen, um den Wasserdurchfluss durch die Wärmepumpe zu erhöhen.

So erhalten Sie den optimalen Wasserfluss:

Bitte schalten Sie die Wärmepumpe unter Heizfunktion ein, schließen Sie zuerst den Bypass und öffnen Sie diese langsam, um die Wärmepumpe zu starten (die Maschine kann nicht laufen, wenn der Wasserdurchfluss nicht ausreicht).

Fahren Sie mit der Einstellung des Bypasses fort, währenddessen die Einlasswassertemperatur überprüft wird. & Outlet Wassertemperatur, es wird optimal sein, wenn der Unterschied um 2 Grad ist.

3.6 Stromanschluss

Hinweis: Obwohl die Wärmepumpe elektrisch vom Rest des Schwimmbades isoliert ist, verhindert das nur den Fluss von elektrischem Strom an oder aus dem Wasser in den Pool. Erdung ist weiterhin zum Schutz gegen Kurzschlüsse im Inneren des Gerätes erforderlich. Sorgen Sie immer für eine gut geerdete Verbindung. Der Installateur muss sich bei Bedarf an den Stromversorger wenden und sicherstellen, dass das Gerät ordnungsgemäß an ein Stromnetz mit einer Impedanz unter 0,095 Ohm angeschlossen ist.

Warnung: Vor Arbeiten im Gerät müssen Sie die Stromversorgung des Geräts unterbrechen, da die Gefahr eines Stromschlags besteht, der zu Materialschäden, schweren Verletzungen oder sogar zum Tod führen kann.

- Falsch angezogene Klemmen können dazu führen, dass sich der Klemmenkasten erwärmt und ungültig wird die Garantie.
- Nur ein qualifizierter und erfahrener Techniker ist berechtigt, Verkabelungsarbeiten innerhalb der Gerät oder um das Netzkabel zu ersetzen.

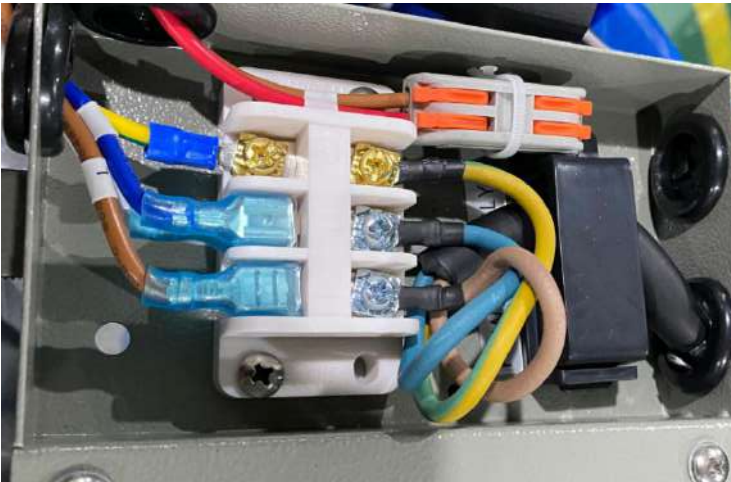
Stellen Sie vor dem Anschließen des Geräts sicher, dass die Versorgungsspannung mit der Betriebsspannung der Wärmepumpe übereinstimmt.

Es wird empfohlen, die Wärmepumpe an einen Stromkreis mit eigener Sicherung oder Leistungsschalter (langsamer Typ; Kurve D) anzuschließen und eine angemessene Verkabelung zu

verwenden.

Schließen Sie die elektrischen Kabel an den mit „STROMVERSORGUNG“ gekennzeichneten Klemmenblock an.


Ein zweiter Klemmenblock mit der Bezeichnung „WASSERPUMPE“ befindet sich neben dem ersten. Hier kann die Filterpumpe (max. 5 A 0 V) an den zweiten Klemmenblock angeschlossen werden. Dadurch kann der Filterpumpenbetrieb von der Wärmepumpe gesteuert werden.



3.7 Erstinbetriebnahme

Hinweis: Um das Wasser im Becken (oder Whirlpool) zu erwärmen, muss die Filterpumpe aktiviert werden, damit das Wasser durch die Wärmepumpe zirkulieren kann. Die Wärmepumpe wird nicht starten wenn das Wasser nicht zirkuliert.

Nachdem alle Verbindungen hergestellt und geprüft sind, führen Sie die folgenden Schritte durch:

1. Schalten Sie die Filterpumpe aus. Prüfen Sie ob es ein Leck gibt, und stellen Sie sicher dass das Wasser vom und zum Schwimmbecken fließt.
2. Schließen Sie die Wärmepumpe an ein Stromnetz an und betätigen Sie die On/Off Taste  auf dem Bedienfeld. Das Gerät startet dann nach einer bestimmten Verzögerungszeit.
3. Überprüfen Sie nach ein paar Minuten ob die herausströmende Luft schon kühler ist.
4. Bei Ausschalten der Pumpe, sollte das Gerät auch automatisch ausschalten, wenn nicht, dann schalten Sie den Strömungswächter an.
5. Lassen Sie die Wärmepumpe und die Filterpumpe 24 Stunden am Tag laufen, bis die gewünschte Wassertemperatur erreicht ist. Die Wärmepumpe wird dann automatisch ausgeschaltet. Wenn die Wassertemperatur 2 Grad unter die gewünschte Temperatur sinkt, wird sie automatisch wieder eingeschaltet.

Je nach Ausgangstemperatur des Wassers im Schwimmbad und der Lufttemperatur, kann es mehrere Tage dauern das Wasser auf die gewünschte Temperatur zu erwärmen. Eine gute Schwimmbadabdeckung könnte die erforderliche Zeit drastisch reduzieren.

Strömungswächter:

Er soll sicherstellen dass das HP Gerät mit einer ausreichenden Durchflussrate läuft. Er wird eingeschaltet, wenn die Pool-Pumpe läuft und schaltet sich automatisch wieder aus, wenn die Pumpe abgeschaltet wird. Wenn das Wasser im Pool höher als 1 m über oder unter der Wärmepumpe steht, sollte ihr Händler alles nocheinmal neu einstellen.

Zeitverzögerung - Die Wärmepumpe hat eine eingebaute 3-Minuten-Anlaufverzögerung, um die Schaltung zu schützen und übermäßigen Verschleiß der Kontakte zu vermeiden. Das Gerät startet automatisch neu, nachdem diese Zeitspanne abgelaufen ist. Selbst ein kurzer Stromausfall löst diese Zeitverzögerung aus, und verhindern so, dass das Gerät nach einem Neustart sofort wieder läuft. Zusätzliche Stromunterbrechungen während dieser Verzögerung haben keinen Einfluss auf die 3-Minuten Dauer der Verzögerung.

3.8 Kondensation

Die Luft die in die Wärmepumpe gezogen wird ist stark durch den Betrieb der Wärmepumpe zur Erwärmung des Beckenwassers abgekühlt, was zu Kondensation an den Rippen des Verdampfers führen könnte. Die Menge an Kondensationsprodukt kann bei relativ hoher Luftfeuchtigkeit mehrere Liter pro Stunde betragen. Daraus wird oft fälschlicherweise auf das Vorhandensein von Wasserlecks geschlossen.

4. Zubehör

4.1 Zubehörliste

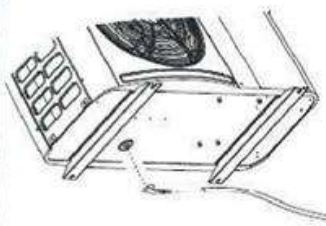
 <p>Vibrationsdämpfer, 4 Stück</p>	 <p>Entwässerungsdüse, 2 Stück</p>	 <p>Schutzhülle , Menge 1</p>
 <p>Winterhülle, 1Stück</p>	 <p>Wasserabflussrohre, 2 Stück</p>	 <p>10M Displayverlängerungskabel, 1 Stk</p>

4.2 Installation des Zubehörs



Vibrationsdämpfer

1. Nehmen Sie 4 Vibrationsdämpfer heraus
2. Legen Sie einen nach dem anderen wie im Bild gezeigt unter die Maschine.



Entwässerungsdüse

1. Installieren Sie die Entwässerungsdüse unter dem unteren Bedienfeld.
 2. Verbinden Sie sie mit einem Wasserschlauch, um das Wasser abzuleiten.
- Note: Heben Sie die Pumpe an um die Düse zu installieren. Überdrehen Sie die Wärmepumpe niemals, das könnte den Kompressor beschädigen.



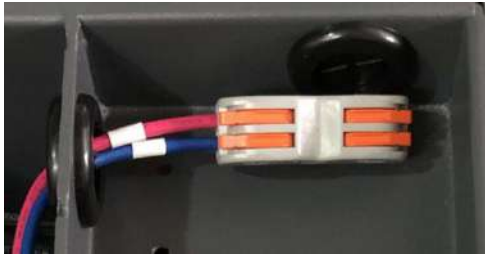
Verbindung von Wasser Ein- und Austritt

1. Schließen Sie die zwei Glieder wie in der Abbildung gezeigt an.
2. Drehen Sie sie in den Wasser-Ein-Auslass



Kabelverkabelung

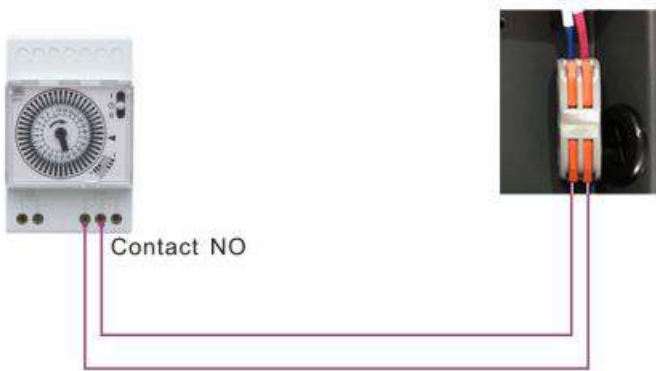
1. Öffnen Sie die Abdeckung des Schaltkastens
2. Befestigen Sie das Stromversorgungskabel an den Verbindungsstellen L N E.



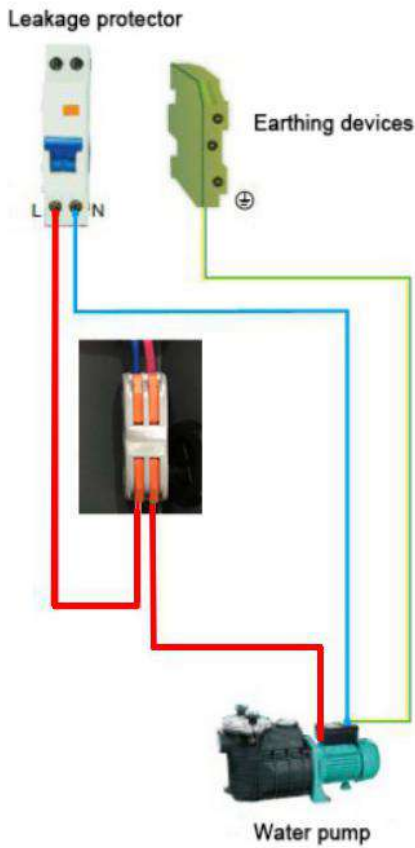
Verkabelung der Wasserpumpe (Trockenkontakt)
 1. Öffnen Sie die Abdeckung des Schaltkastens
 2. Mit den Anschlüssen 1 und 2 können Sie die Wasserfiltration durch den Timer der Filtration steuern (Trockenkontakt).

Trockenkontakt-Timeranschluss

Timer



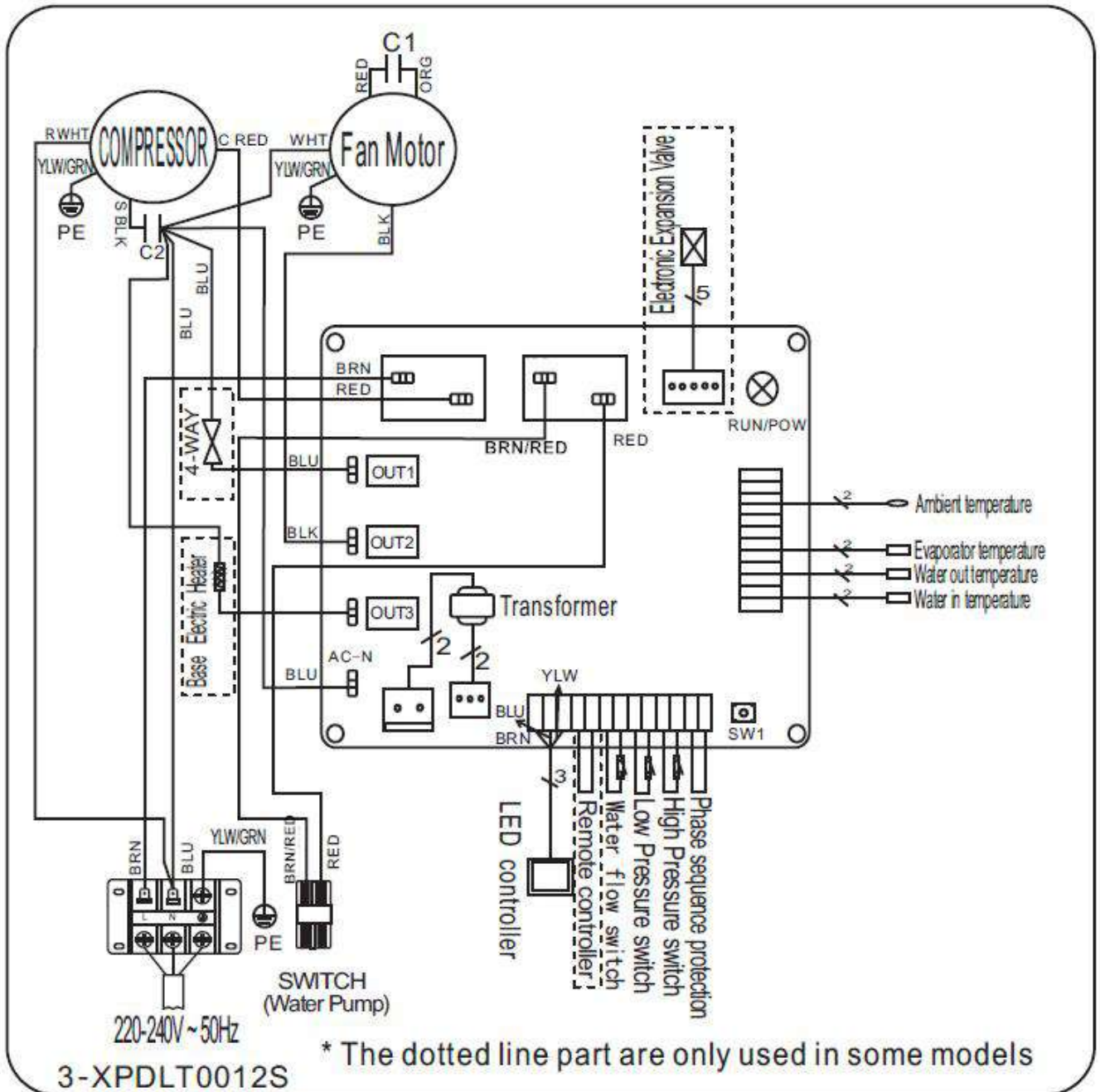
Anschluss des Pumpentrockenkontakts



5. Elektrische Verkabelung

5.1 VERKABELUNGSDIAGRAMM DER SCHWIMMBECKEN-WÄRMEPUMPE

FSN-05 / FSN-08 / FSN-11



FSN-05:

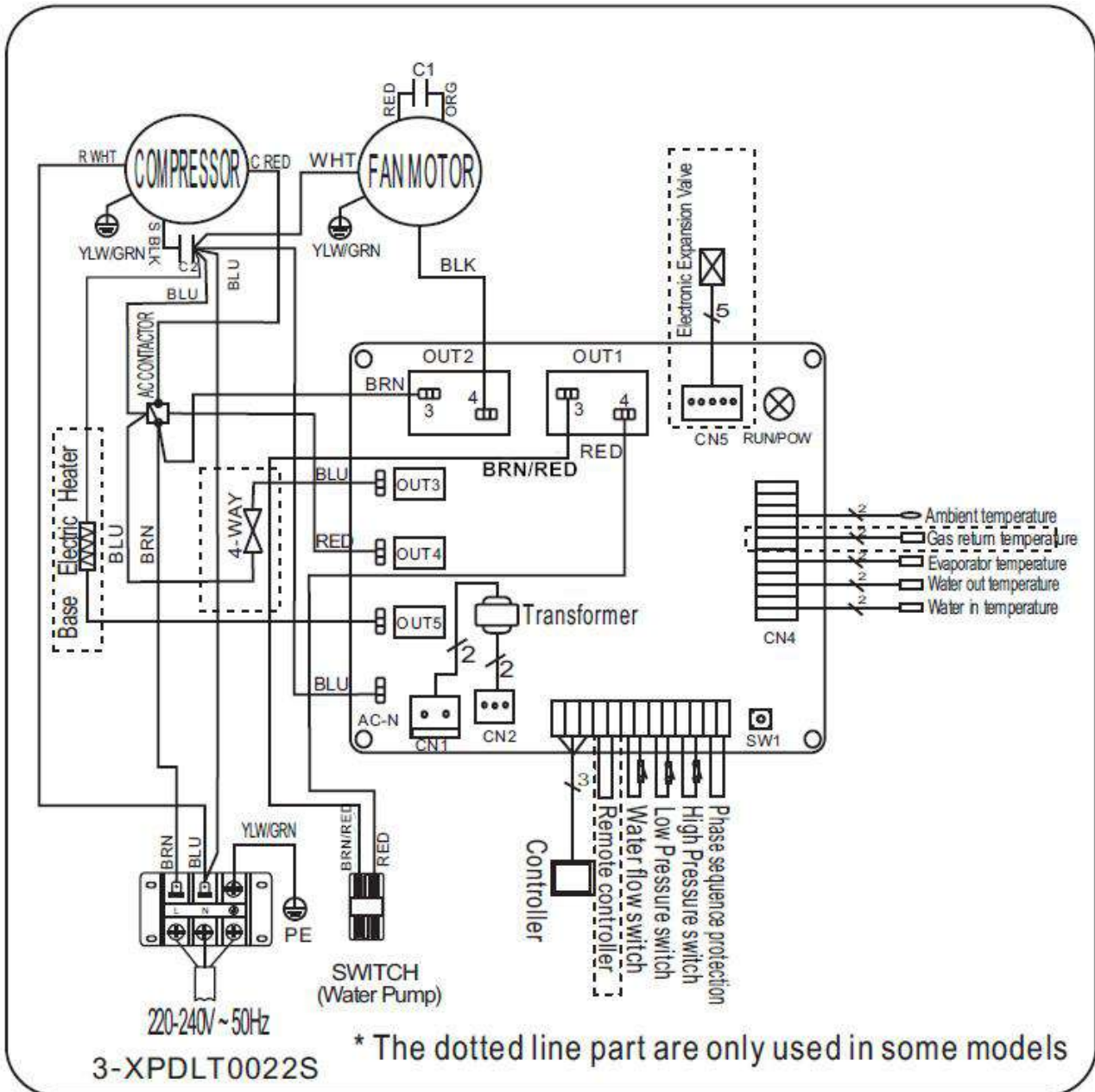
C1 = Lüfterkondensator = 2uF/450V

C2 = Kompressorkondensator = 35uF/450V

FSN-08 / FSN-11:

C1 = Lüfterkondensator = 2uF/450V

C2 = Kompressorkondensator = 60uF/450V



FSN-14/ FSN-17:

C1 = Lüfterkondensator = 6uF/450V

C2 = Kompressorkondensator = 70uF/450V

HINWEIS:

(1) Der Schaltplan dient nur zu ihrer Referenz

(2) Die Schwimmbecken-Wärmepumpe muss gut geerdet sein, auch wenn der Wärmewechler vom Rest der Einheit elektrisch isoliert ist. Die Erdung ist dennoch wichtig, um Sie vor Kurzschlüssen im Inneren des Gerätes zu schützen. Verkleben ist ebenfalls erforderlich.

Unterbrecher: Ein Unterbrecher (d.h. ein circuit breaker, fused or un-fused switch) sollte in Sichtweite und vom Gerät aus leicht erreichbar positioniert werden..Das ist bei kommerziellen und häuslichen Wärmepumpen so üblich. Es schützt davor unbeaufsichtigte Einheiten mit Strom zu versorgen, und erlaubt die Einheit auszuschalten während sie verwendet wird.

5.2 Installation des Displays

Foto (1)



Foto (2)



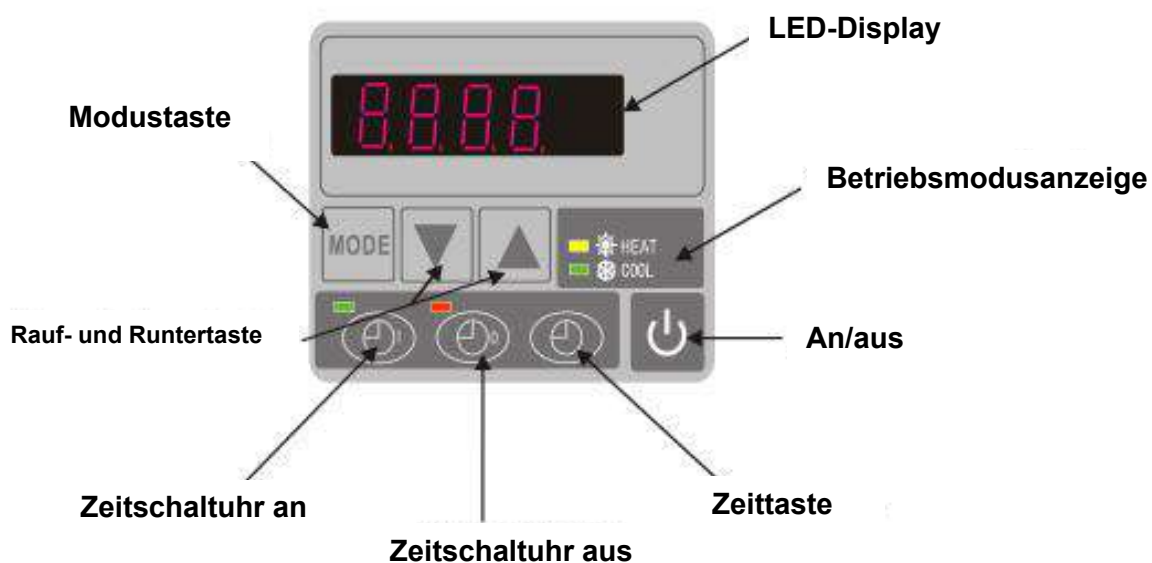
Foto (3)



- Demontage der Steuerung und des Steckers
- Installation des mitgelieferten Kabels (Foto 2)
- Führen Sie das Kabel durch die Steckbüchse (Foto 3) und verbinden Sie die Anschlüsse.


6. Display Operationen

6.1 Die Tasten der LED Kabelsteuerung




Wenn die Wärmepumpe läuft, dann zeigt der LED Bildschirm die Wassereintrittstemperatur.
Wenn die Wärmepumpe auf Standby ist, dann zeigt der LED Bildschirm die Realzeit

6.2 Starten oder Stoppen Sie die Wärmepumpe

Drücken Sie  um die Wärmepumpe zu starten. Der LED Bildschirm zeigt die gewünschte Wassertemperatur für 5 Sekunden, und dann die Wassereintrittstemperatur.

Drücken Sie  um die Wärmepumpe zu deaktivieren.

6.3 Auswahl des Heiz- oder Kühlmodus:

Drücken Sie  bis "heat" oder "Cool" aufleuchtet.


6.4 Einstellen der Realzeit

im Bereitschafts oder Betriebsmodus halten Sie  , dann drücken Sie  oder  um Stunden/Minuten einzustellen.

Dann drücken Sie erneut  um neue Daten zu speichern.

Wenn Sie die Zeit einstellen kann  und  nicht arbeiten.




6.5 Wassertemperatureinstellung:

Drücken Sie auf Standby, oder im Betriebsmodus  und  um die gewünschte Wassertemperatur einzustellen.

- Achtung: Die Pumpe kann nur dann arbeiten, wenn das Wasserzirkulations- und Filtersystem arbeitet.




6.6 Automatisches Aktivieren und Deaktivieren der Wärmepumpe


Einstellen der Aktivierungszeit für die Einheit

Drücken Sie  um eine Zeit für das Starten der Einheit zu wählen, dann drücken Sie  oder  um die Zeit einzustellen (Setzen Sie die Startzeit 5 Minuten nach der Wasserpumpe).

Drücken Sie  erneut um die neuen Einstellungen zu speichern.

Einstellen der Deaktivierungszeit für die Einheit

Drücken Sie  um die Zeit für die Deaktivierung festzulegen, dann drücken Sie  oder  um die Zeit einzustellen (setzen Sie die Zeit 5 Minuten vor der Wasserpumpe).

Drücken Sie  erneut um die neuen Einstellungen zu speichern.

6.7 Widerrufen Sie den automatischen Start/Stop

Widerrufen des automatischen Starts

Drücken Sie , und dann ,  erlischt und der automatische Start ist deaktiviert.




- Achtung: Wenn das Wasserfiltersystem vor der Wärmepumpe stoppt, dann schaltet sich die Einheit aus (Sicherheitsvorkehrung) und der Code EE3 oder ON erscheinen auf dem Bildschirm

- Es ist wichtig die Wärmepumpe so zu programmieren dass sie synchron zum Wasserfiltersystem läuft.



- Um die Wärmepumpe zu reaktivieren, schalten Sie die Stromversorgung aus und wieder ein.




6.8. Einstellung der betriebsdaten



6.8.1 Wie sie die Parameter überprüfen

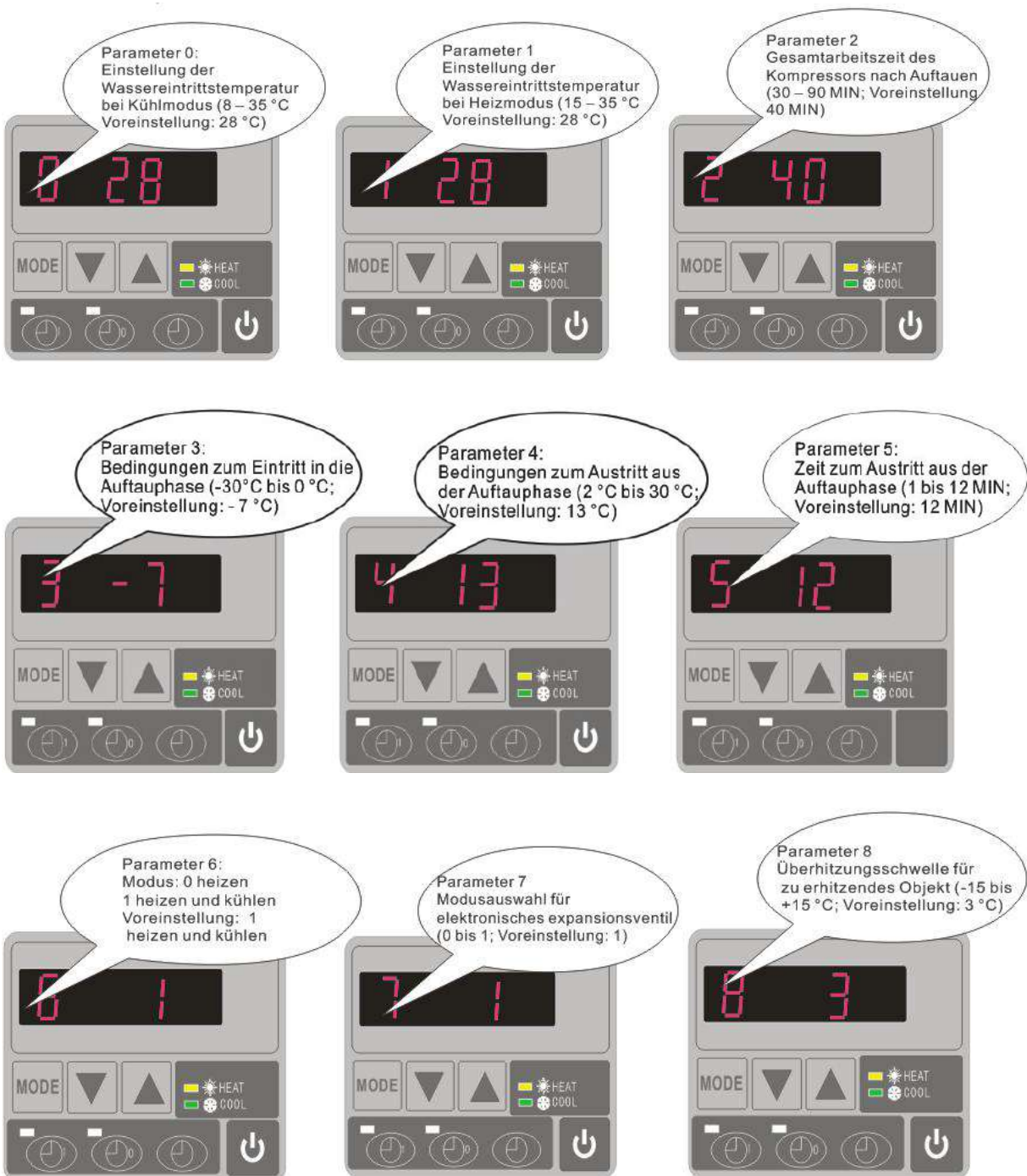
Halten Sie im Bereitschafts- oder im Betriebsmodus die Taste  für 10 Sekunden gedrückt, und drücken Sie dann  oder  um die Parameter zu überprüfen (von 0 bis H, siehe Betriebsparametertabelle).

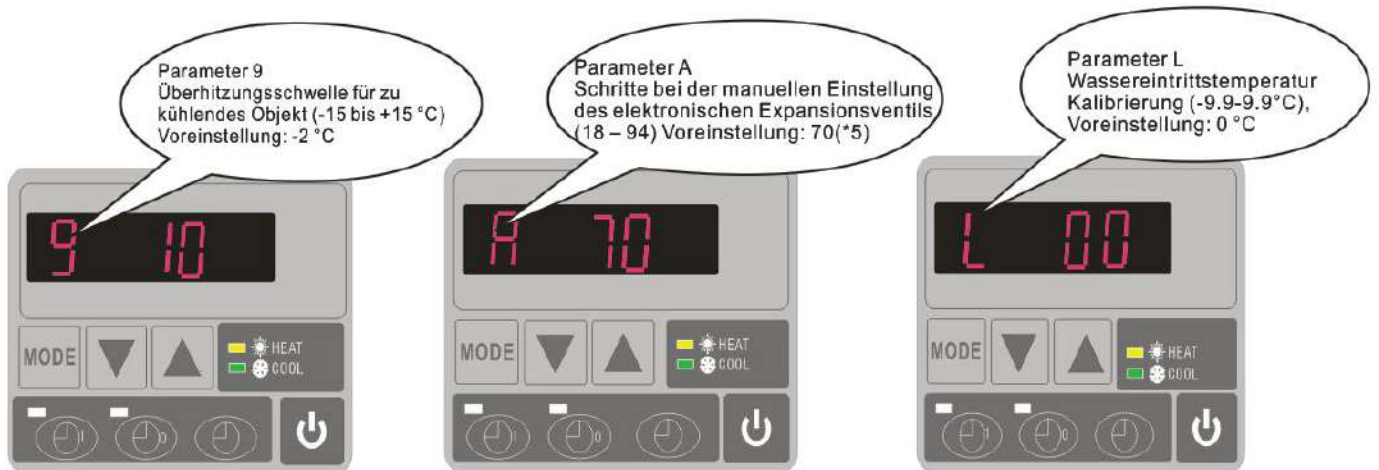
6.8.2 Einstellung der Parameter (Können nur im Bereitschaftsmodus eingestellt werden)

1) Halten Sie  für 10 Sekunden gedrückt, drücken Sie  dann nochmal um die Daten zu wählen (von 0 bis L, siehe Betriebsparametertabelle) die sie einstellen wollen.

2) Dann drücken Sie  oder  um die Parameter einzustellen, drücken Sie anschließend erneut  um die neuen Einstellungen zu speichern.

3) Dann drücken Sie  oder  um andere Daten auszuwählen die sie Einstellen wollen, und wiederholen Sie die obrige Prozedur.

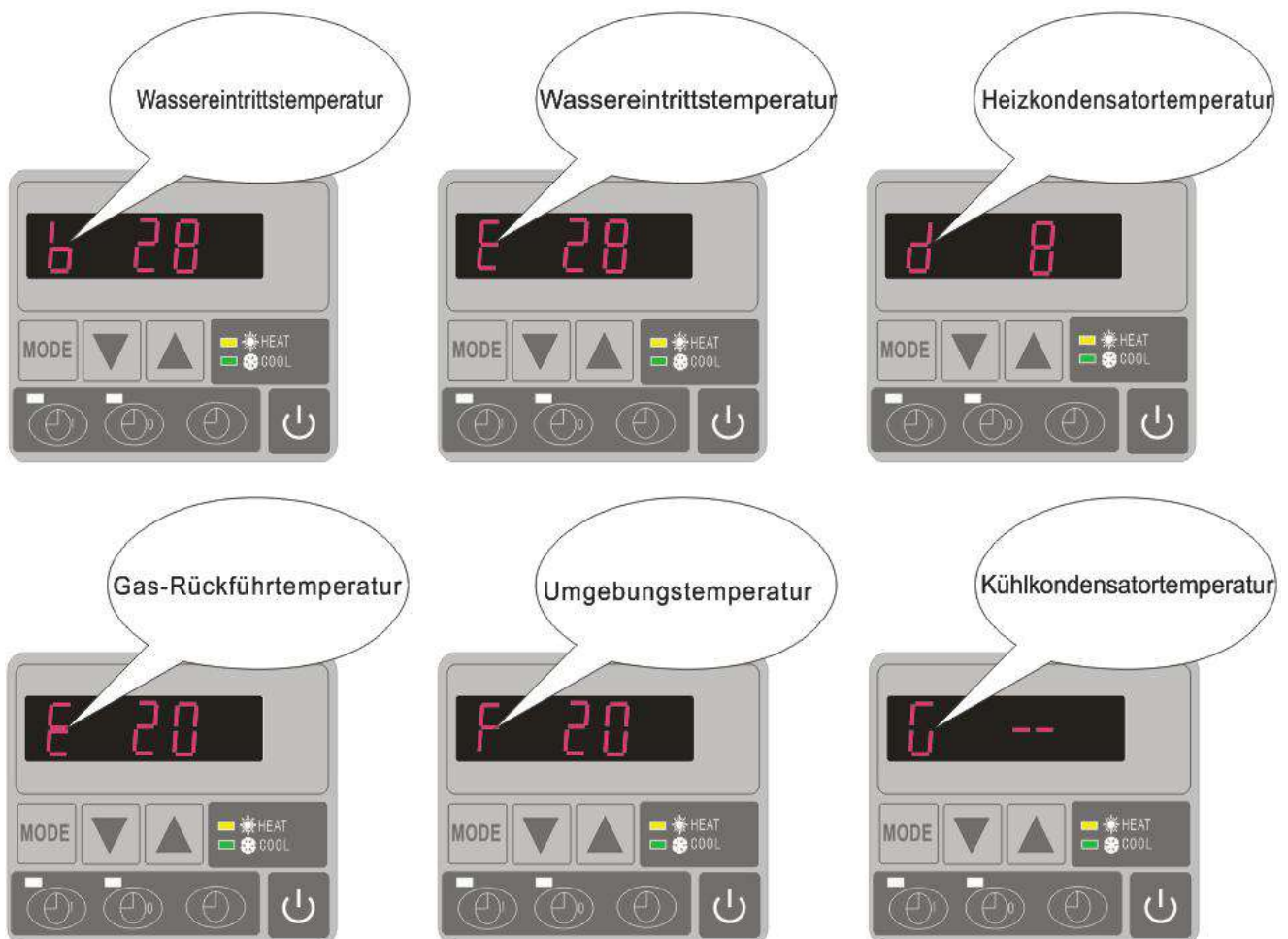




Nehmen Sie bitte zur Kenntnis:

- A) Drücken Sie "MODE" um den Modus zu wählen (Der Modus wechselt nur für "1" oder "2" bei Parameter 6)
- B) Der Modus kann während des Betriebs gewechselt werden.
- C) Zusätzliches elektrisches Heizen ist in diesen Moden nicht möglich.

6.8.3 Den aktuellen Status abrufen





Parameter	Bedeutung	Bereich	Voreinstellung	Bemerkung
0	Einstellung der Eintrittswassertemperatur – Kühlmodus	8-35°C	28°C	Einstellbar
1	Einstellung der Eintrittswassertemperatur – Heizmodus	15-40°C	28°C	Einstellbar
2	Eintritt in die Auftauphase	30-90 MIN	40MIN	Einstellbar
3	Bedingungen zum Eintritt in die Auftauphase	-30°C bis 0°C	-7°C	Einstellbar
4	Bedingungen zum Austritt aus der Auftauphase	2 bis 30°C	20°C	Einstellbar
5	Zeit zum Austritt aus der Auftauphase	1 to 12 MIN	12 MIN	Einstellbar
6	Modus: 0 heizen 1 heizen und kühlen	0-1	1 (heizen und kühlen)	Einstellbar
7	Modusauswahl für elektronisches Expansionsventil	0-1	1 (auto)	Einstellbar
8	Überhitzungsschwelle für zu erhitzendes Objekt	-15°C-15°C	3°C	Einstellbar
9	Überhitzungsschwelle für zu kühlendes Objekt	-15°C-15°C	-2 °C	Einstellbar
A	Schritte bei der manuellen Einstellung des elektronischen Expansionsventils	18-94	70	Einstellbar
B	Wassereintrittstemperatur	-9-99°C		Exakte Prüfung nach Wert
C	Wasseraustrittstemperatur	-9-99°C		Exakte Prüfung nach Wert
D	Kondensiertemperatur bei Heizmodus	-9-99°C		Exakte Prüfung nach Wert
E	Gas-Rücklauftemperatur	-9-99°C		Exakte Prüfung nach Wert
F	Außentemperatur	-9-99°C		Exakte Prüfung nach Wert
G	Kondenstemperatur bei Kühlmodus	-9-99°C		Exakte Prüfung nach Wert
H	Tatsächliche Schritte beim elektronischen Expansionsventil	N*5		Exakte Prüfung nach Wert
L	Wassereintrittstemperatur Kalibrierung	-9.9-9.9°C	0°C	Einstellbar

Bemerkungen:

(1) Wenn der HP nach 30 Sekunden stoppt, schaltet sich die Wasserpumpe auch automatisch ab.
















(2) Die LED-Kabel-Steuerung kann die Wasserpumpe kontrollieren, sofern ein zusätzliches Kabel sachgemäß an der mit "PUMP" markierten Position der Pumpenvorrichtung angeschlossen wurde.

7. Fehlerbehebung

7.1 Fehlercodeanzeige auf einer LED-Kabelsteuerung

Fehlfunktion	Fehlercode	Ursache	Lösungsweg
Schutz vor niedriger Umgebungstemperatur	PP0	La température ambiante est trop basse	
Fehlfunktion beim Sensor für die Wassereintrittstemperatur	PP1	Drahtbruch oder Kurzschluss	Überprüfen oder wechseln Sie den Sensor
Fehlfunktion beim Sensor für die Wasseraustrittstemperatur	PP2	Drahtbruch oder Kurzschluss	Überprüfen oder wechseln Sie den Sensor
Fehler beim Sensor für den Heizkondensator	PP3	Drahtbruch oder Kurzschluss	Überprüfen oder wechseln Sie den Sensor
Fehler beim Sensor für den Gasrücklauf	PP4	Schließen Sie einige Draht zu Unrecht in diesem Punkt	Bestätigen Sie gibt es nichts zu diesem Punkt, Neustart
Fehler beim Sensor für die Umgebungstemperatur	PP5	Drahtbruch oder Kurzschluss	Überprüfen oder wechseln Sie den Sensor
Temperaturdifferenz beim Wasserein- und Auslass ist zu groß	PP6	Wasserdurchflussmenge ist zu gering, Druckdifferenz zu gering	Überprüfen Sie die Wasserdurchflussmenge und schauen Sie nach ob das Wasser gestaut ist
Frostschutz ersten Grades versagt im Winter	PP7	Umgebungstemperatur oder Wassereintrittstemperatur ist zu niedrig	Die Wasserpumpe wird automatisch für Frostschutz ersten Grades laufen
Frostschutz zweiten Grades versagt im Winter	PP7	Umgebungstemperatur oder Wassereintrittstemperatur ist zu niedrig	Die Wärmepumpe wird automatisch für Frostschutz zweiten Grades laufen
Ausfall des Hochdruckschutz	EE1	1. Zu viel Kühlmittel 2. Luftzirkulation is nicht genug	1. Entfernen Sie überflüssige Kühlmittel aus der HP-Gasanlage 2. Reinigen Sie den Luft-Wärmetausche
Ausfall des Unterdruckschutz	EE2	1. Zu wenig Kühlmittel 2. Wasserflussmenge ist nicht genug 3. Filter oder Kapillare verstopft	1. Check if there is any gas leakage ,re-fill the refrigerant 2. Clean the air exchanger 3. Replace the filter or capillary
Strömungswächter ist nicht eingeschaltet	EE3 oder "ON"	Geringe Wasserflussmenge, falsche Flussrichtung, oder Ausfall des Strömungswächters	Überprüfen Sie ob der Wasserfluss genug ist, und in die richtige Richtung geht. Ansonsten könnte der Strömungswächter defekt sein
Fehlfunktion bei der Wasserein- und Austrittstemperatur	EE5	Wasserflussmenge ist nicht genug, die Wasserdruckdifferenz ist zu gering	Überprüfen Sie die Wasserdurchflussmenge und schauen Sie nach ob das Wasser gestaut ist
Kommunikationsfehler	EE8	Die Kabelverbindung ist nicht gut	Überprüfen Sie die Kabelverbindung

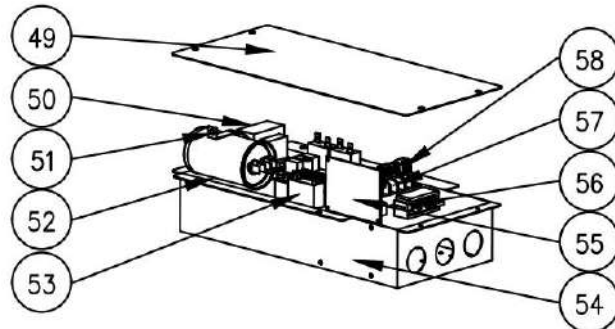
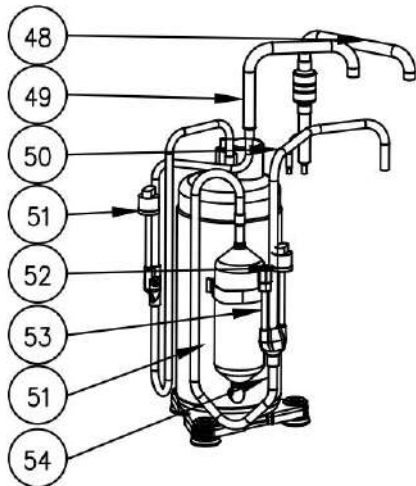
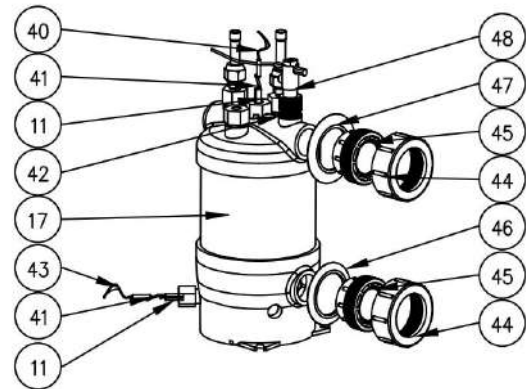
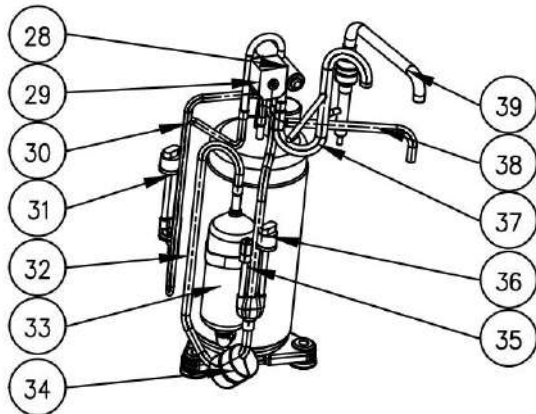
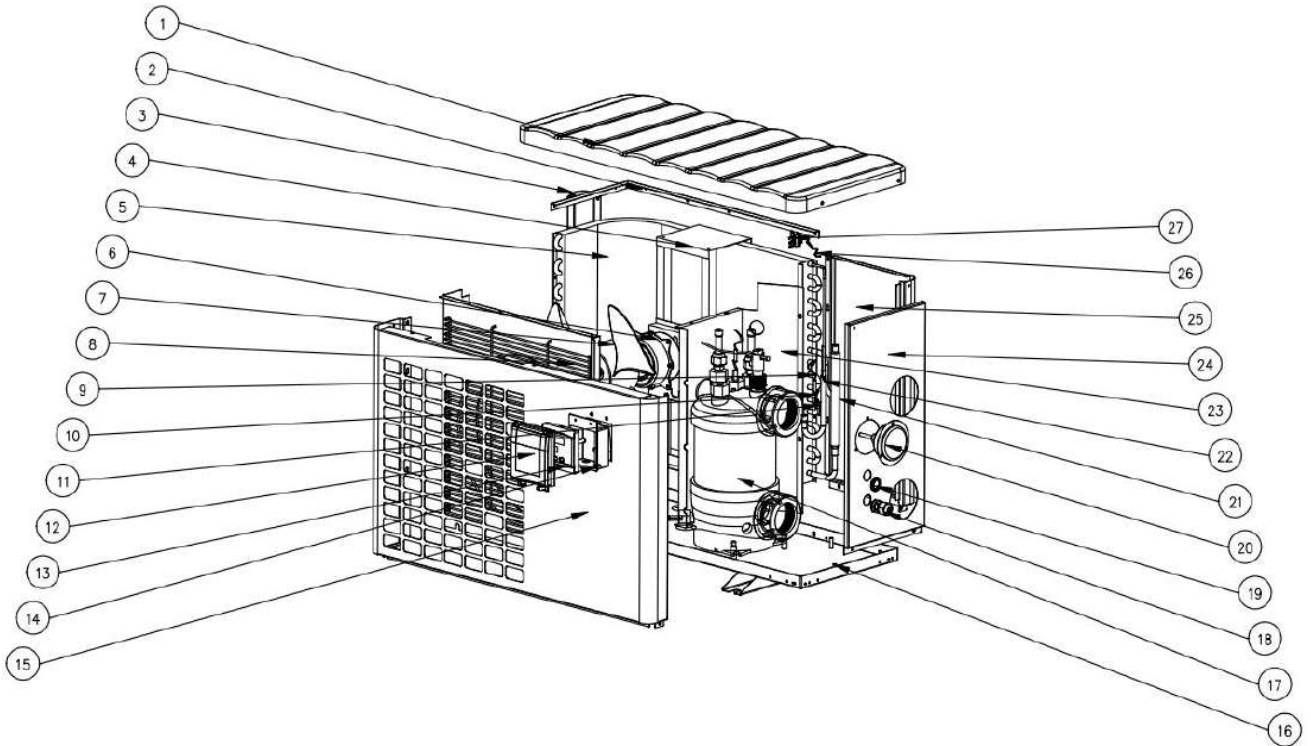
7.2 Störungsanzeige ein PCB

Schutz /Fehlfunktion	Controller-Anzeige	Störungsanzeige an PCB
Standby-Status der Wärmepumpe	ON	
Wärmepumpe läuft	Wasser in der Temperatur	
Schutz vor niedriger Umgebungstemperatur	PP0	
Fehlfunktion beim Sensor für die Wassereintritts-temperatur	PP1	
Fehlfunktion beim Sensor für die Wasseraustritts-temperatur	PP2	
Fehler beim Sensor für den Heizkondensator	PP3	
Fehler beim Sensor für den Gasrücklauf	PP4	
Fehler beim Sensor für die Umgebungstemperatur	PP5	
Temperaturdifferenz beim Wasserein- und Auslass ist zu groß	PP6	
Frostschutz ersten Grades versagt im Winter	PP7	
Frostschutz zweiten Grades versagt im Winter	PP7	
Ausfall des Hochdruckschutz	EE1	
Ausfall des Unterdruckschutz	EE2	
Strömungswächter ist nicht eingeschaltet	EE3 oder "ON"	
Fehlfunktion bei der Wasserein- und Austrittstemperatur	EE5	
Auftauen	Auftauen	

7.3 Andere Fehlfunktionen und ihre Lösung (werden nicht auf der LED-Kabelsteuerung angezeigt)

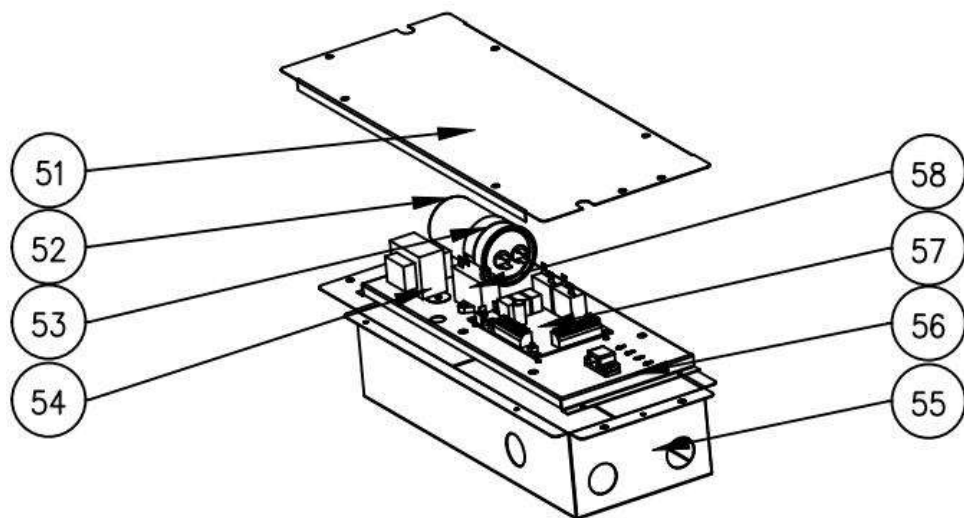
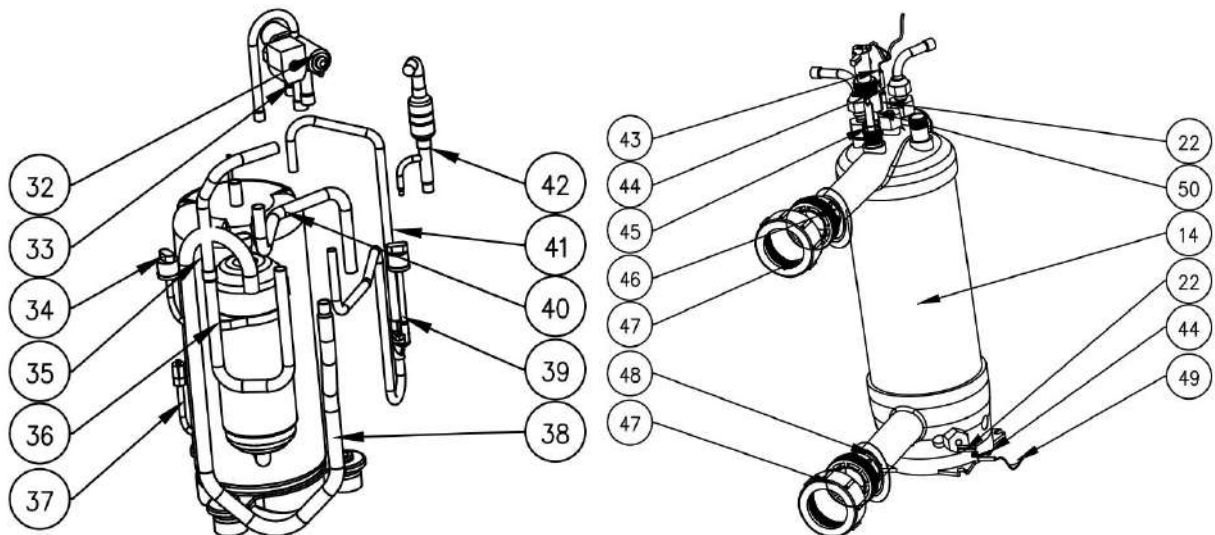
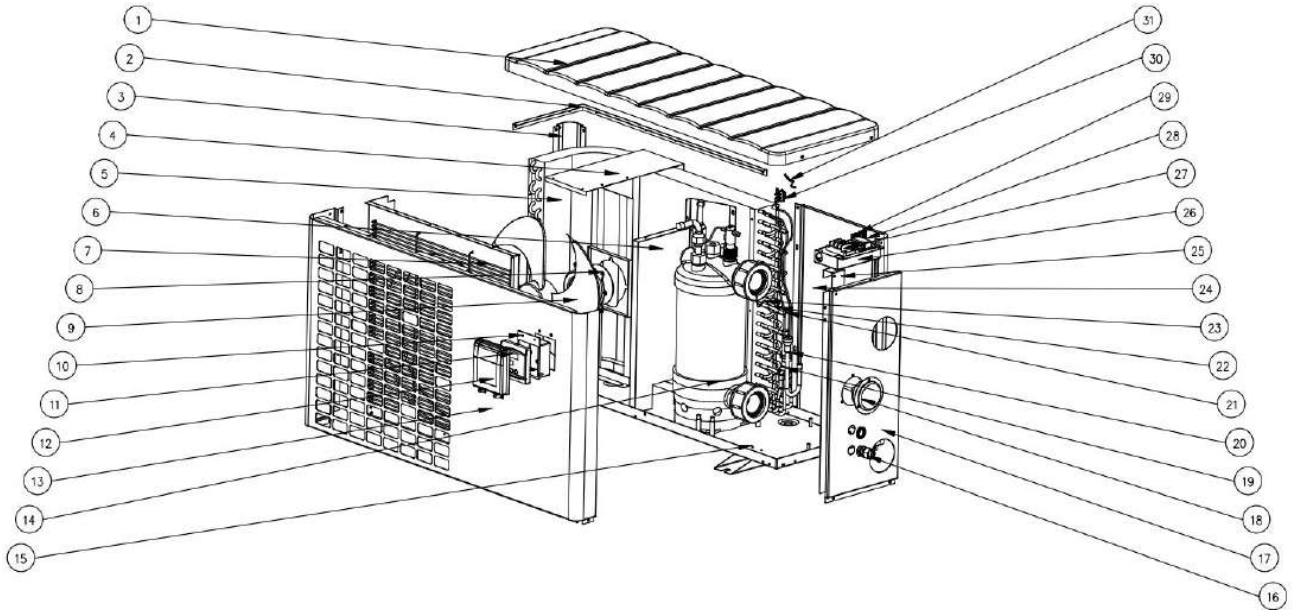
Fehlfunktion	Anzeichen	Ursachen	Lösung
Wärmepumpe läuft nicht	LED-Kabelsteuerung hat keine Anzeige	Keine Stromzufuhr	Überprüfen Sie ob Kabel und Schutzschalter verbunden sind
	LED-Kabelsteuerung zeigt die aktuelle Zeit an.	Wärmepumpe im Bereitschaftsmodus	Starten Sie die Wärmepumpe.
	LED-Kabelsteuerung zeigt die aktuelle Wassertemperatur an.	<ol style="list-style-type: none"> 1. Wassertemperatur erreicht den vorgesehenen Wert, HP ist auf konstantem Temperaturniveau 2. Wärmepumpe hat erst zu arbeiten angefangen 3. Im Auftaumodus 	<ol style="list-style-type: none"> 1. Überprüfen Sie die Wassertemperatureinstellungen. 2. Starten Sie die Wärmepumpe nach ein paar Minuten. 3. LED-Kabelsteuerung sollte "Defrosting" anzeigen.
Kurze Laufzeiten	LED-Bildschirm zeigt aktuelle Wassertemperatur an, kein Fehlercode wird angezeigt.	<ol style="list-style-type: none"> 1. Ventilator läuft nicht 2. Luftzirkulation ist nicht ausreichend. 3. Unzureichende Kühlmittel. 	<ol style="list-style-type: none"> 1. Überprüfen Sie die Kabelverbindungen zwischen dem Motor und dem Ventilator. Wenn nötig sollten Sie ersetzt werden. 2. Überprüfen Sie die Position der Wärmepumpeneinheit, und entfernen Sie alle Hindernisse um eine optimale Luftzirkulation zu erreichen. 3 Ersetzen oder reparieren Sie die Wärmepumpeneinheit.
Wasserflecken	Wasserflecken auf der Wärmepumpeneinheit	<ol style="list-style-type: none"> 1. Beton. 2. Wasserlecke. 	<ol style="list-style-type: none"> 1. Nichts tun. 2. Überprüfen Sie den Luft-Wärmewechsler auf Defekte.
Zu viel Eis am Verdampfer	Zu viel Eis am Verdampfer		<ol style="list-style-type: none"> 1. Überprüfen Sie die Position der Wärmepumpeneinheit, und entfernen Sie alle Hindernisse, um eine optimale Luftzirkulation zu erreichen. 2. Ersetzen oder reparieren Sie die Wärmepumpeneinheit.

8. Explosionszeichnung Modell: FSN05



NO	ERP	Spare parts	NO	ERP	Spare parts
1	133420002	Obere Abdeckung	30	113010408	Auspuff
2	108920005	Elektrische Rack-Trägerplatte	31	112100030	Hochdruckschalter
3	108920011	Säule	32	113020562	Gasrückführung
4	108920002	Lüftermotorhalterung	33	101000241	Kompressor
5	103000250	Verdampfer	34	136020026	Anti-Vibrations-Gummi
6	112000033	Lüftermotor	35	120000098	Gas ventil
7	132000001	Ventilatorflügel	36	112100046	Niederdruckschalter
8	108920014	Frontplattenbaugruppe	37	113030180	Válvula de 4 vías para intercambiador.
9	112200136	Rohrtemp. Sensor T3	38	113060185	Tube
10	113190007	Sensorgehäuseleitung	39	113090085	Austausch gegen Kapillare
11	113190001	Clip	40	112200138	Wasser austemp. Sensor T2
12	133030011	Kontrollbox	41	108010025	Clip del sensor de temperatura del intercambiador
13	117020087	Controller	42	133020026	Gummiring am Wasseranschluss
14	113712007	Controller-Abdeckung	43	112200133	Sonda Tªde entrada de agua. sensor T1
15	108920013	Frontblende	44	102050005	Conjuntos de conexión de agua
16	108920016	Basisfach	45	102050005	Wasseranschluss
17	102041042	Titan-Wärmetauscher	46	133020011	Anillo de goma azul
18	110000039	Kabelanschluss	47	133020012	Anillo de goma rojo
19	136020134	Gummiring	48	112100021	Interruptor de flujo de agua
20	106000011	Druckanzeige	49	108020044	Elektrische Boxabdeckung
21	103000250	Kollektive Rohrleitungen	50	112200064	Transformator
22	103000250	Verteilungsrohrleitung	51	108010008	Kondensatorclip
23	108920009	Isolationsplatte	52	111300013	Kompressorkondensator
24	108920012	Seitenbereich	53	111300002	Lüfterkondensator
25	108920010	Rückseite	54	108920015	Caja electrica
26	112200141	Umgebungstemp. Sensor T5	55	11220183	PCB
27	133020010	Umgebungstemp. Sensorclip	56	115000060	2-sitziges Terminal
28	121000035	4-Wege-Ventil	57	115000002	3-sitziges Terminal
29	121000036	Vier-Wege-Ventilspule	58	136010004	Presilla para cables de conexión

Modell: FSN-08 / FSN-11



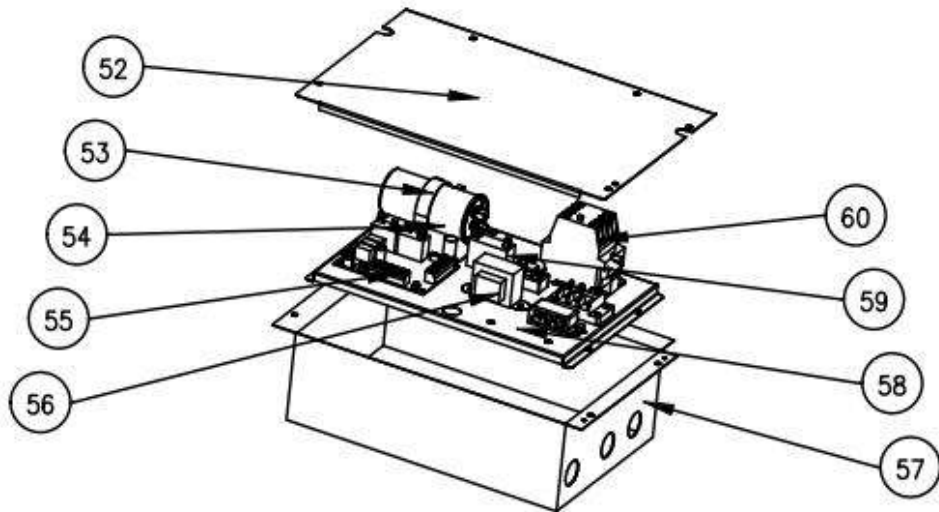
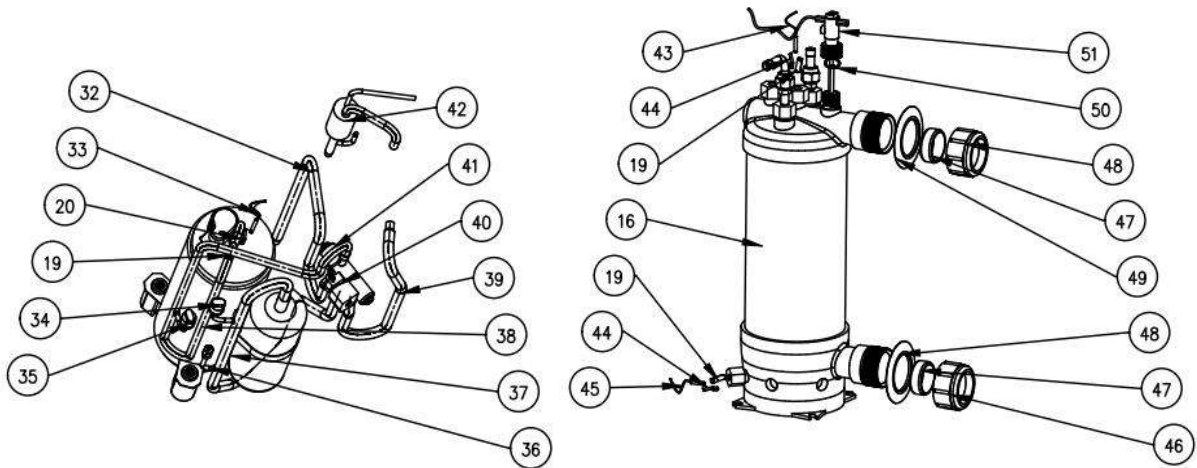
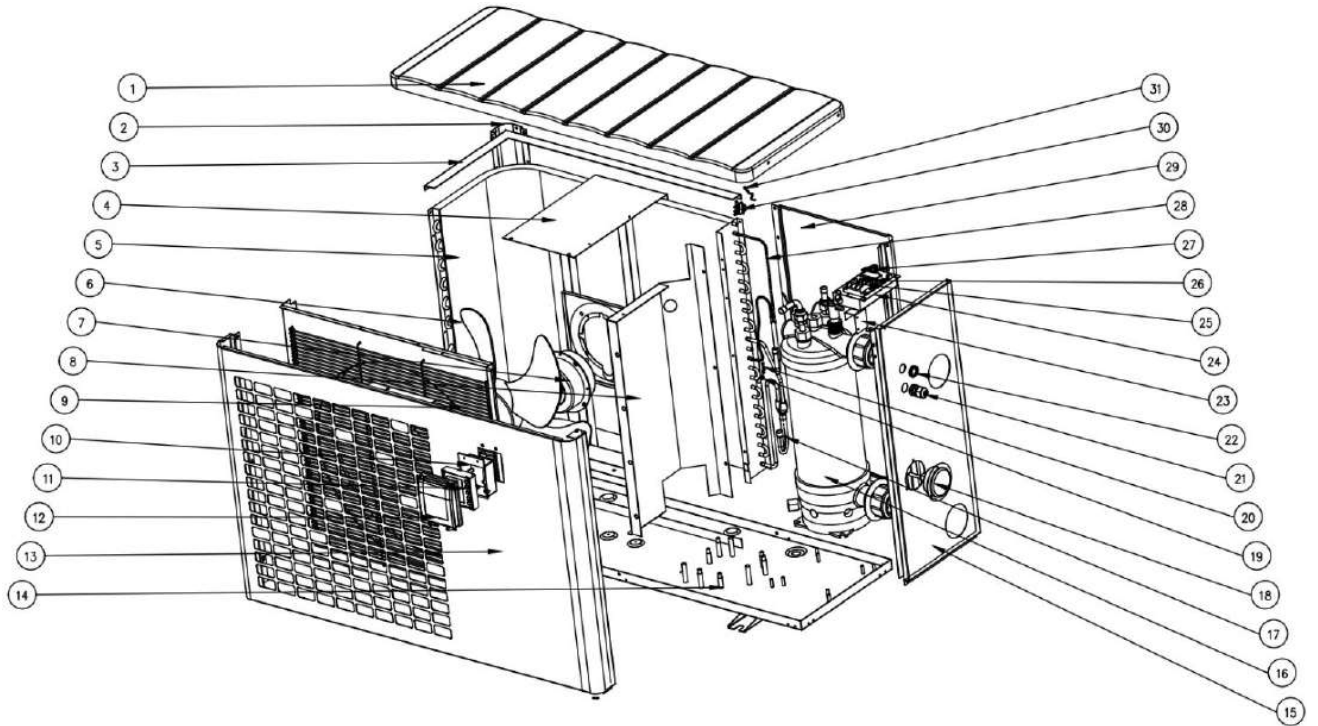
Spare parts list: FSN-08

NO	ERP	Spare parts	NO	ERP	Spare parts
1	133430003	Obere Abdeckung	30	133020010	Umgebungstemp. Sensorclip
2	108900016	Elektrische Rack-Trägerplatte	31	112200141	Umgebungstemp. Sensor T5
3	108900021	Säule	32	121000034	4-Wege-Ventil
4	108900011	Lüftermotorhalterung	33	121000037	Vier-Wege-Ventilspule
5	103000311	Verdampfer	34	112100046	Niederdruckschalter
6	108900010	Isolationsplatte	35	113030168	Válvula de 4 vías para intercambiador.
7	108900024	Frontplattenbaugruppe	36	113030169	Válvula de 4 vías para intercambiador.
8	112000069	Lüftermotor	37	120000097	Gas ventil
9	113600007	Ventilatorflügel	38	113020528	Gasrückführung
10	133030011	Kontrollbox	39	112100030	Hochdruckschalter
11	117020087	Controller	40	113010379	Auspuff
12	113712007	Controller-Abdeckung	41	113060174	Tubo
13	108900022	Frontblende	42	113090090	Austausch gegen Kapillare
14	102041049	Titan-Wärmetauscher	43	112200138	Wasser austemp. Sensor T2
15	108900001	Basisfach	44	108010025	Clip del sensor de temperatura del intercambiador
16	110000039	Kabelanschluss	45	133020026	Gummiring am Wasseranschluss
17	108900023	Seitenbereich	46	133020012	Anillo de goma rojo
18	106000011	Druckanzeige	47	102050015	Conjuntos de conexión de agua
19	103000311	Kollektive Rohrleitungen	48	133020011	Anillo de goma azul
20	103000311	Verteilungsrohrleitung	49	112200133	Sonda T ^a de entrada de agua. sensor T1
21	113190001	Clip	50	112100021	Interruptor de flujo de agua
22	113190007	Sensorgehäuseleitung	51	108140063	Elektrische Boxabdeckung
23	112200136	Rohrtemp. Sensor T3	52	111300018	Kompressorkondensator
24	108900020	Rückseite	53	108010007	Kondensatorclip
25	108900017	Verdrahtungsbox-Stützplatte	54	112200064	Transformator
26	108030240	Verdrahtungsbox	55	108140061	Caja electrica
27	115000002	3-sitziges Terminal	56	108140062	Elektrische Box-Board
28	136010004	Presilla para cables de conexión	57	111300002	Lüfterkondensator
29	115000060	2-sitziges Terminal	58	11220183	PCB

Spare parts list: FSN-11

NO	ERP	Spare parts	NO	ERP	Spare parts
1	133430003	Obere Abdeckung	30	133020010	Umgebungstemp. Sensorclip
2	108900016	Elektrische Rack-Trägerplatte	31	112200141	Umgebungstemp. Sensor T5
3	108900021	Säule	32	121000034	4-Wege-Ventil
4	108900011	Lüftermotorhalterung	33	121000037	Vier-Wege-Ventilspule
5	103000310	Verdampfer	34	112100046	Niederdruckschalter
6	108900010	Isolationsplatte	35	113030168	Válvula de 4 vías para intercambiador.
7	108900024	Frontplattenbaugruppe	36	113030169	Válvula de 4 vías para intercambiador.
8	112000069	Lüftermotor	37	120000097	Gas ventil
9	113600007	Ventilatorflügel	38	113020525	Gasrückführung
10	133030011	Kontrollbox	39	112100030	Hochdruckschalter
11	117020087	Controller	40	113010377	Auspuff
12	113712007	Controller-Abdeckung	41	113060173	Tubo
13	108900022	Frontblende	42	113090090	Austausch gegen Kapillare
14	102041050	Titan-Wärmetauscher	43	112200138	Wasser austemp. Sensor T2
15	108900001	Basisfach	44	108010025	Clip del sensor de temperatura del intercambiador
16	110000039	Kabelanschluss	45	133020026	Gummiring am Wasseranschluss
17	108900023	Seitenbereich	46	133020012	Anillo de goma rojo
18	106000011	Druckanzeige	47	102050015	Conjuntos de conexión de agua
19	103000310	Kollektive Rohrleitungen	48	133020011	Anillo de goma azul
20	103000310	Verteilungsrohrleitung	49	112200133	Sonda T ^a de entrada de agua. sensor T1
21	113190001	Clip	50	112100021	Interruptor de flujo de agua
22	113190007	Sensorgehäuseleitung	51	108140063	Elektrische Boxabdeckung
23	112200136	Rohrtemp. Sensor T3	52	111300018	Kompressorkondensator
24	108900020	Rückseite	53	108010007	Kondensatorclip
25	108900017	Verdrahtungsbox-Stützplatte	54	112200064	Transformator
26	108030240	Verdrahtungsbox	55	108140061	Caja electrica
27	115000002	3-sitziges Terminal	56	108140062	Elektrische Box-Board
28	136010004	Presilla para cables de conexión	57	111300002	Lüfterkondensator
29	115000060	2-sitziges Terminal	58	11220183	PCB

Modell: FSN-14 / FSN-17



Spare parts list: FSN-14

NO	ERP	Spare parts	NO	ERP	Spare parts
1	133410002	Obere Abdeckung	31	112200141	Umgebungstemp. Sensor T5
2	108050132	Säule	32	113060099	Tubo
3	108050208	Elektrische Rack-Trägerplatte	33	112200136	Rohrtemp. Sensor T3
4	108050212	Lüftermotorhalterung	34	112100030	Druckanzeige
5	103000201	Verdampfer	35	112100046	Niederdruckschalter
6	113600010	Ventilatorflügel	36	120000097	Gas ventil
7	112000070	Lüftermotor	37	113020392	Gasrückführung
8	108050211	Isolationsplatte	38	113010283	Auspuff
9	108050213	Frontplattenbaugruppe	39	113030098	Válvula de 4 vías para intercambiador.
10	133030011	Kontrollbox	40	121000037	Vier-Wege-Ventilspule
11	117020087	Controller	41	121000028	4-Wege-Ventil
12	113712007	Controller-Abdeckung	42	113090066	Austausch gegen Kapillare
13	108050214	Frontblende	43	112200138	Wasser austemp. Sensor T2
14	108050209	Basisfach	44	108010025	Clip del sensor de temperatura del intercambiador
15	108050210	Seitenbereich	45	112200133	Sonda T ^a de entrada de agua. sensor T1
16	102040994	Titan-Wärmetauscher	46	102050005	Conjuntos de conexión de agua
17	103000201	Kollektive Rohrleitungen	47	102050005	Wasseranschluss
18	106000011	Druckanzeige	48	133020011	Anillo de goma azul
19	113190001	Clip	49	133020012	Anillo de goma rojo
20	113190007	Sensorgehäuseleitung	50	133020026	Gummiring am Wasseranschluss
21	110000039	Kabelanschluss	51	112100021	Interruptor de flujo de agua
22	136020119	Gummiring	52	108110011	Elektrische Boxabdeckung
23	108050215	Verdrahtungsbox-Stützplatte	53	108010007	Kondensatorclip
24	108030240	Verdrahtungsbox	54	111000020	Kompressorkondensator
25	115000002	3-sitziges Terminal	55	11220182	PCB
26	136010004	Presilla para cables de conexión	56	112200064	Transformator
27	115000060	2-sitziges Terminal	57	108050192	Caja electrica
28	103000201	Verteilungsrohrleitung	58	108050193	Elektrische Box-Board
29	108050195	Rückseite	59	111000006	Lüfterkondensator
30	133020010	Umgebungstemp. Sensorclip	60	104000001	AC-Schütze

Spare parts list: FSN-17

NO	ERP	Spare parts	NO	ERP	Spare parts
1	133410002	Obere Abdeckung	31	112200141	Umgebungstemp. Sensor T5
2	108050132	Säule	32	113060099	Tubo
3	108050208	Elektrische Rack-Trägerplatte	33	112200136	Rohrtemp. Sensor T3
4	108050212	Lüftermotorhalterung	34	112100030	Druckanzeige
5	103000202	Verdampfer	35	112100046	Niederdruckschalter
6	113600010	Ventilatorflügel	36	120000097	Gas ventil
7	112000070	Lüftermotor	37	113020591	Gasrückführung
8	108050211	Isolationsplatte	38	113020632	Auspuff
9	108050213	Frontplattenbaugruppe	39	113030098	Válvula de 4 vías para intercambiador.
10	133030011	Kontrollbox	40	121000037	Vier-Wege-Ventilspule
11	117020087	Controller	41	121000028	4-Wege-Ventil
12	113712007	Controller-Abdeckung	42	113090095	Austausch gegen Kapillare
13	108050214	Frontblende	43	112200138	Wasser austemp. Sensor T2
14	108050225	Basisfach	44	108010025	Clip del sensor de temperatura del intercambiador
15	108050210	Seitenbereich	45	112200133	Sonda T ^a de entrada de agua. sensor T1
16	102041068	Titan-Wärmetauscher	46	102050005	Conjuntos de conexión de agua
17	103000202	Kollektive Rohrleitungen	47	102050005	Wasseranschluss
18	106000011	Druckanzeige	48	133020011	Anillo de goma azul
19	113190001	Clip	49	133020012	Anillo de goma rojo
20	113190007	Sensorgehäuseleitung	50	133020026	Gummiring am Wasseranschluss
21	110000039	Kabelanschluss	51	112100021	Interruptor de flujo de agua
22	136020119	Gummiring	52	108110011	Elektrische Boxabdeckung
23	108050215	Verdrahtungsbox-Stützplatte	53	108010007	Kondensatorclip
24	108030240	Verdrahtungsbox	54	111000020	Kompressorkondensator
25	115000002	3-sitziges Terminal	55	11220182	PCB
26	136010004	Presilla para cables de conexión	56	112200064	Transformator
27	115000060	2-sitziges Terminal	57	108050192	Caja electrica
28	103000202	Verteilungsrohrleitung	58	108050193	Elektrische Box-Board
29	108050195	Rückseite	59	111000006	Lüfterkondensator
30	133020010	Umgebungstemp. Sensorclip	60	104000001	AC-Schütze

9. Wartung

Warnung !

- Vor Wartungsarbeiten am Gerät müssen Sie die Stromversorgung unterbrechen, da die Gefahr eines Stromschlags besteht, der zu Sachschäden, schweren Verletzungen oder sogar zum Tod führen kann.

- Es wird empfohlen, das Gerät mindestens einmal jährlich einer allgemeinen Wartung zu unterziehen, um seinen ordnungsgemäßen Betrieb sicherzustellen, das Leistungsniveau aufrechtzuerhalten und mögliche Ausfälle zu vermeiden. Diese Arbeiten werden auf Kosten des Benutzers von einem qualifizierten Techniker durchgeführt, um die Wartung zu gewährleisten von einem qualifizierten Techniker durchgeführt.

- Für Wartungsarbeiten, die von einem qualifizierten Techniker durchgeführt werden sollen, lesen Sie bitte die Sicherheitshinweise auf den vorherigen Seiten im Kapitel "Wartung: Warnhinweise zu Geräten, die R32-Kältemittel enthalten", bevor Sie die unten beschriebenen Wartungsarbeiten durchführen

- (1) Sie sollten das Wasserzufuhrsystem regelmäßig überprüfen, um zu vermeiden dass Luft ins System eindringt und geringe Wasserflussmenge verursacht, denn das würde die Leistung und Zuverlässigkeit der HP-Einheit reduzieren.
- (2) Reinigen Sie ihr Becken und Filtersystem regelmäßig um Schäden an der Einheit durch verschmutzte Filter zu vermeiden.
- (3) Ansonsten sollten überprüfen ob die Einheit mit Wasser gefüllt ist, bevor Sie sie starten.
- (4) Nachdem die Einheit für die Winterseason ausgerüstet wurde, sollte sie mit einer speziellen Winterdecke abgedeckt werden.
- (5) Während die Einheit läuft ist es normal wenn ein wenig Wasser darunter ausläuft.
- (6) R32 Druck und Temperatur Mapping-Tabelle

Bedingung	Ausgeschaltet			
	Moins -5-5 °C	5-15 °C	15-25 °C	25-35 °C
TUmgebungstemperatur	Moins -5-5 °C	5-15 °C	15-25 °C	25-35 °C
Wassertemperatur	/	/	/	/
Manometer lesen	0.68-0.93 MPa	0.93-1.25 MPa	1.25-1.64 MPa	1.64-2.1 MPa

Bedingung	Laufen (Heizung)				
	/	/	/	/	/
Umgebungstemperatur	/	/	/	/	/
Wassertemperatur	10-15 °C	15-20 °C	20-25 °C	25-30 °C	30-35 °C
Manometer lesen	1.3-1.8 MPa	1.5-1.9 MPa	1.6-2.3 MPa	1.9-2.8 MPa	2.1-3.5 MPa

- (7) Bitte entleeren Sie das Wasser in der Wärmepumpe immer im Winter oder wenn die Umgebungstemperatur unter 0 ° C fällt. Andernfalls wird der Titan-Wärmetauscher durch Gefrieren beschädigt. In diesem Fall geht Ihre Garantie verloren.

 **AVVERTENZE**

	Questo simbolo indica che sono disponibili ulteriori informazioni nel Manuale d'uso nel Manuale d'installazione.		Questo simbolo indica che l'apparecchio usa R32, un refrigerante a bassa velocità di combustione.
	Questo simbolo indica che il Manuale d'uso deve essere letto con attenzione.		Questo simbolo indica che un tecnico addetto alla manutenzione deve intervenire sull'apparecchio nel rispetto del Manuale d'installazione.

AVVERTENZE GENERALI

- Il mancato rispetto delle avvertenze potrebbe causare danni all'attrezzatura della piscina o comportare ferite gravi, se non addirittura il decesso.
- Solo personale qualificato nei settori tecnici interessati (elettrico, idraulico o della refrigerazione) è abilitato ad eseguire lavori di manutenzione o di riparazione dell'apparecchio. Il tecnico qualificato che interviene sull'apparecchio deve utilizzare/indossare un dispositivo di protezione individuale (quali occhiali di sicurezza, guanti di protezione, ecc.) per ridurre il rischio di lesioni che potrebbero verificarsi durante l'intervento sull'apparecchio.
- Prima di qualsiasi intervento sull'apparecchio, accertarsi che non sia collegato alla rete elettrica e fuori servizio.
- Questo apparecchio non è destinato a essere utilizzato da persone (bambini inclusi, dagli 8 anni in su) prive di esperienza o con deficit fisici, sensoriali o mentali eccetto se sotto sorveglianza oppure dopo che le stesse abbiano ricevuto istruzioni relative all'uso dell'apparecchio da una persona responsabile della loro sicurezza; e se comprendono i pericoli che comporta.
- Sorvegliare i bambini per assicurarsi che non giochino con l'apparecchio.
- L'installazione dell'apparecchio deve essere eseguita conformemente alle istruzioni del produttore e nel rispetto delle normative locali e nazionali in vigore. L'installatore è responsabile dell'installazione dell'apparecchio e del rispetto delle normative nazionali vigenti in materia di installazione. In alcun caso il fabbricante potrà essere ritenuto responsabile in caso di mancato rispetto delle norme d'installazione locali vigenti.
- Per operazioni di manutenzione diverse da quelle semplici descritte nel presente manuale che possono essere realizzate dall'utilizzatore, è necessario rivolgersi a un tecnico specializzato.
- Un'installazione /o un utilizzo errati possono comportare danni materiali o corporali gravi (che possono causare il decesso).
- In caso di malfunzionamento dell'apparecchio: non cercare di riparare l'apparecchio da soli e contattare un tecnico qualificato.
- La disattivazione, l'eliminazione o l'aggiramento di uno degli elementi di sicurezza dell'apparecchio annulla automaticamente la garanzia al pari dell'utilizzo di pezzi di ricambio di un terzo non autorizzato.
- Non spruzzare insetticida o altro prodotto chimico (infiammabile o non infiammabile) in direzione dell'apparecchio, potrebbe deteriorare la scocca e causare un incendio.
- Non toccare il ventilatore né i componenti mobili e non inserire oggetti né le dita vicino ai componenti mobili quando l'apparecchio è in funzione. I componenti mobili possono provocare lesioni gravi che possono anche portare al decesso.

- Tenere la scheda video in un'area asciutta o chiudere bene il coperchio isolante per proteggere la scheda video da eventuali danni causati dall'umidità.

AVVERTENZE LEGATE AGLI APPARECCHI ELETTRICI

- L'alimentazione elettrica dell'apparecchio deve essere protetta da un dispositivo di protezione a corrente differenziale residua (DDR) di 30 mA dedicato, conformemente alle norme vigenti nel paese di installazione.
- Non utilizzare una prolunga per collegare l'apparecchio; collegarlo direttamente a un circuito di alimentazione adatto.
- Prima di qualunque operazione verificare che:
La tensione indicata sulla targhetta segnaletica dell'apparecchio corrisponde a quella della rete elettrica,
La rete elettrica sia adatta all'uso dell'apparecchio e disponga di una presa di terra,
La scheda di alimentazione (se presente) si adatta alla presa di corrente.
- Non scollegare e ricollegare l'apparecchio quando è in funzione.
- Non tirare il cavo di alimentazione per scollegarlo.
- Se il cavo di alimentazione è danneggiato, va tassativamente sostituito dal produttore, da un tecnico incaricato della manutenzione o da un soggetto qualificato, per garantire la sicurezza.
- Non effettuare operazioni di manutenzione dell'apparecchio con le mani bagnate o se l'apparecchio è bagnato.
- Prima di collegare l'apparecchio alla fonte di alimentazione, controllare che il blocco di raccordo o la presa di alimentazione alla quale sarà collegato l'apparecchio siano in buono stato e non siano danneggiati o arrugginiti.
- In caso di tempo burrascoso, scollegare l'apparecchio di alimentazione per evitare che sia danneggiato da un fulmine.
- Non immergere l'apparecchio in acqua o nel fango

AVVERTENZE RIGUARDANTI GLI APPARECCHI CONTENENTI REFRIGERANTE R32

- Il refrigerante R32 è un refrigerante di categoria A2L, considerato potenzialmente infiammabile.
- Non disperdere il fluido R32 nell'atmosfera. Questo fluido è un gas fluorurato ad effetto serra, coperto dal protocollo di Kyoto, con un potenziale di riscaldamento globale (GWP) = 675 (normativa europea UE 517/2014).
- L'apparecchio deve essere conservato in un luogo ben areato lontano da fiamme.
- Installare l'unità all'esterno. Non installare l'unità all'interno o in uno spazio chiuso e non areato all'esterno.
- Non utilizzare mezzi di accelerazione del processo di sbrinamento o di pulizia diversi da quelli raccomandati dal produttore.
- L'apparecchio deve essere conservato in un locale privo di fonti di scintilla costantemente in funzione (ad esempio: fiamme all'aperto, apparecchio a gas in funzione o riscaldamento elettrico in funzione).
- Non forare, né incenerire.
- Il refrigerante R32 può emanare un certo odore.
- Nel rispetto delle norme e dei regolamenti pertinenti in materia ambientale e relativi all'installazione, nello specifico il decreto N° 2015-1790 e/o la regolamentazione europea UE 517/2014, deve essere effettuata una ricerca della presenza di perdite sul circuito di raffreddamento almeno una volta l'anno. Questa operazione deve essere effettuata da un tecnico certificato degli apparecchi di raffreddamento. Tenere la scheda video in un'area asciutta o chiudere bene il coperchio isolante per proteggere la scheda video dai danni causati dall'umidità.

MANUTENZIONE: AVVERTENZE RIGUARDANTI GLI APPARECCHI CONTENENTI REFRIGERANTE R32

- Durante le fasi d'installazione, di riparazione, di manutenzione, è vietato utilizzare i tubi come poggiatesta: sotto la sollecitazione, i tubi potrebbero rompersi e il refrigerante potrebbe provocare gravi

ustioni.

- Durante la fase di manutenzione dell'apparecchio, saranno controllati la composizione e lo stato del fluido termovettore e anche l'assenza di tracce di refrigerante.
- Durante il controllo annuale della tenuta stagna dell'apparecchio, in conformità alle leggi vigenti, verificare che i pressostati alta e bassa pressione siano collegati correttamente al circuito refrigerante e che interrompano il circuito elettrico in caso di scatto.
- Durante la fase di manutenzione assicurarsi che non ci siano tracce di corrosione o di macchie d'olio intorno ai componenti frigoriferi.

Non brasare o saldare il tubo se c'è del refrigerante all'interno della macchina. Si prega di non caricare il gas quando ci si trova in uno spazio ristretto.

Verifica della zona

- Prima di iniziare a lavorare su sistemi che contengono fluidi frigoriferi infiammabili, è necessario effettuare dei controlli di sicurezza per garantire la riduzione del rischio di scintille.

Procedura di lavoro

- I lavori devono essere effettuati secondo una procedura controllata per evitare il pericolo di liberazione di gas o vapore infiammabile durante le operazioni.

Zona generale di lavoro

- Il personale addetto alla manutenzione e le altre persone che lavorano nell'area vicina devono essere messi al corrente dei lavori effettuati. Devono essere evitati i lavori in spazi confinati.
- Prima di ogni intervento sul circuito refrigerante, è imperativo arrestare l'apparecchio ed aspettare qualche minuto prima di installare i sensori di temperatura o di pressione, alcuni apparecchi come il compressore e i tubi possono raggiungere temperature superiori a 100°C e pressioni elevate che possono provocare gravi ustioni.

Verifica della presenza di refrigerante

- La zona deve essere sottoposta a verifica utilizzando un rilevatore di refrigerante appropriato prima e durante i lavori, così che il tecnico sia avvertito della presenza di un'atmosfera potenzialmente tossica o infiammabile. Accertarsi che l'apparecchio di rilevazione delle perdite utilizzato sia adatto a essere utilizzato per tutti i refrigeranti interessati, cioè non possa provocare scintille, sia correttamente isolato o perfettamente sicuro.

Presenza di un estintore

- Se devono essere effettuati lavori che comportano una certa temperatura sull'apparecchio frigorifero o su qualsiasi componente associato, un dispositivo antincendio deve trovarsi a portata di mano. Posizionare un estintore a polvere o a CO₂ vicino alla zona di lavoro.

Assenza di sorgente d'ignizione

- Nessun soggetto che effettua lavori su un sistema frigorifero che comportano l'esposizione della tubatura deve utilizzare qualsiasi sorgente di scintille che potrebbe provocare un incendio o un'esplosione. Tutte le possibili sorgenti di scintille, in particolare le sigarette, devono essere tenute a sufficiente distanza dal sito d'installazione, di riparazione, di rimozione o di eliminazione quando il refrigerante può potenzialmente essere liberato nello spazio circostante. Prima di procedere con i lavori, è necessario esaminare la zona intorno all'apparecchio per accertarsi dell'assenza di pericoli di incendio o di scintille. Devono essere esposti dei cartelli "Vietato fumare".

Ventilazione della zona

- Prima di accedere in qualunque modo all'unità per effettuare qualsiasi tipo di manutenzione, accertarsi

che la zona sia aperta e ben areata. Durante la manutenzione dell'unità deve essere mantenuta un'areazione adeguata, che permette la dispersione in sicurezza del refrigerante che potrebbe essere liberato nell'atmosfera.

Verifica dell'apparecchio di refrigerazione

- Vanno sempre rispettate le raccomandazioni del produttore relative alla manutenzione. Durante la sostituzione di componenti elettrici, accertarsi di utilizzare solo componenti dello stesso tipo e della stessa categoria, raccomandati/approvati dal produttore. In caso di dubbio, consultare il servizio di assistenza tecnica del produttore per chiedere aiuto.
- Devono essere effettuate le seguenti verifiche sugli impianti che utilizzano refrigeranti infiammabili:
le marcature presenti sull'apparecchio devono rimanere visibili e leggibili, eventuali marcature o simboli illeggibili devono essere corretti;
le tubature o i componenti refrigeranti sono installati in una posizione nella quale è poco probabile che siano esposti a sostanze in grado di corrodere componenti contenenti refrigerante, sempre se i componenti sono fabbricati con materiali normalmente resistenti alla corrosione o correttamente protetti contro una corrosione di questo tipo.

Verifica dei componenti elettrici

- La riparazione e la manutenzione dei componenti elettrici devono comportare controlli di sicurezza iniziali e procedure di ispezione dei componenti. Se si verifica un malfunzionamento che può compromettere la sicurezza, il circuito non deve essere in alcun modo collegato all'alimentazione elettrica fino a che il problema non sia stato completamente risolto. Se il malfunzionamento non può essere corretto subito, ma i lavori devono proseguire, deve essere trovata una soluzione temporanea adeguata. Il problema va segnalato al proprietario dell'apparecchio così che tutte le persone coinvolte siano avvertite.
- La riparazione e la manutenzione dei componenti elettrici devono comportare i seguenti controlli di sicurezza iniziali:
i condensatori sono scarichi: questa operazione va effettuata in sicurezza per evitare la possibilità di scintille;
nessun componente elettrico, né alcun cablaggio alimentato è esposto durante la carica, il ripristino o lo spurgo del sistema;
il collegamento alla terra deve essere sempre presente.

Riparazione su componenti isolati

- In caso di riparazioni su componenti isolati, scollegare l'alimentazione elettrica dell'apparecchio sul quale vengono effettuati i lavori prima di togliere il coperchio d'isolamento, ecc. Se l'alimentazione elettrica dell'apparecchio è assolutamente necessaria durante la manutenzione, è necessario posizionare un rivelatore di perdite che funziona di continuo nel punto più critico per segnalare situazioni potenzialmente pericolose.
- Prestare particolare attenzione ai punti seguenti per essere certi che, durante l'intervento sui componenti elettrici, il quadro elettrico non sia alterato al punto di compromettere il livello di protezione. Ciò deve includere i cavi danneggiati, un numero eccessivo di collegamenti, morsetti non conformi alle caratteristiche originarie, guarnizioni danneggiate, installazione errata dei premistoppa, ecc.
- Assicurarci che l'apparecchio sia fissato correttamente.
- Accertarsi che le guarnizioni o i materiali isolanti non siano danneggiati al punto da non impedire più a un'atmosfera infiammabile di penetrare nel circuito. I pezzi di ricambio devono essere conformi alle specifiche del produttore.

Riparazione dei componenti intrinsecamente sicuri

- Non applicare cariche d'induzione o capacità elettrica permanente al circuito senza accertarsi che quest'ultima non superi la tensione e l'intensità autorizzate per l'apparecchio che si sta utilizzando.
- Normalmente, i componenti sicuri sono gli unici tipi sui quali è possibile lavorare in presenza di

un'atmosfera infiammabile quando sono alimentati. L'apparecchio di test deve essere della classe appropriata.

- Sostituire i componenti solo con i pezzi indicati dal produttore. Altri pezzi potrebbero infiammare il refrigerante nell'atmosfera in caso di perdita.

Cablaggio

- Controllare che il cablaggio non presenti usura, corrosione, pressione eccessiva, vibrazione, margine tagliente o altri effetti ambientali negativi. Il controllo deve considerare anche gli effetti dell'invecchiamento o delle vibrazioni continue causate da sorgenti quali compressori o ventilatori.

Rilevamento di fluido refrigerante infiammabile

- Per la ricerca o il rilevamento di perdite di refrigerante non devono essere mai utilizzate sorgenti potenziali di scintille. Non deve essere utilizzata una lampada aloide (o altri rilevatori che utilizzano una fiamma nuda).
- I seguenti metodi di rilevamento di perdite sono considerati accettabili per tutti i sistemi refrigeranti.
- Per rilevare perdite di refrigerante è possibile utilizzare i rilevatori di perdita elettronici ma, in caso di refrigerante infiammabile, è possibile che la sensibilità non sia adatta o richieda una nuova calibrazione. (Il dispositivo di rilevamento deve essere calibrato in un luogo privo di refrigerante). Accertarsi che il rilevatore non sia una sorgente potenziale di scintilla e sia adatto al refrigerante utilizzato. Il dispositivo di rilevamento delle perdite deve essere regolato a una percentuale di LFL del refrigerante e calibrato in funzione del refrigerante utilizzato. Deve essere confermata la percentuale di gas appropriata (25% al massimo).
- I fluidi di rilevamento di perdite sono egualmente adatti a essere utilizzati sulla maggior parte dei refrigeranti, ma deve essere evitato l'uso di detergenti contenenti cloro perché potrebbe reagire con il refrigerante e corrodere la tubatura in rame.
- Se si sospetta una perdita, devono essere eliminate/spente eventuali fiamme nude.
- Se si rileva una perdita di refrigerante che richiede una brasatura, tutto il refrigerante va tolto dal sistema o isolato (tramite valvole di chiusura) in una parte del sistema lontano dalla perdita.

Rimozione e evacuazione

- Quando si accede al circuito refrigerante per effettuare delle riparazioni o per altri motivi, devono essere utilizzate delle procedure convenzionali. Tuttavia, nel caso di refrigeranti infiammabili, è essenziale seguire le raccomandazioni perché va tenuto conto dell'infiammabilità. Deve essere rispettata la seguente procedura:

rimuovere il refrigerante;

spurgare il circuito con un gas inerte (facoltativo per l'A2L);

evacuare (facoltativo per l'A2L);

spurgare con un gas inerte (facoltativo per l'A2L);

aprire il circuito mediante taglio o brasatura.

- Il refrigerante deve essere recuperato in bombole appropriate. Per gli apparecchi che contengono refrigeranti infiammabili diversi dai refrigeranti A2L, il sistema deve essere spurgato con azoto privo di ossigeno per rendere l'apparecchio in grado di ricevere refrigeranti infiammabili. Può essere necessario ripetere il procedimento più volte. Non devono essere utilizzati aria compressa o ossigeno per spurgare i sistemi refrigeranti.

Procedure di carica

- Accertarsi che l'uscita della pompa a vuoto non si trovi vicino a potenziali sorgenti di scintille e che sia disponibile un sistema di aerazione.
- Oltre alle procedure di carica convenzionali, devono essere rispettati i seguenti punti.
- Accertarsi che non si verifichi una contaminazione tra i differenti refrigeranti quando si utilizza un dispositivo di carica. I flessibili o le linee devono essere il più corti possibili per ridurre la quantità di

refrigeranti che contengono.

- Le bombole devono essere mantenuti in posizione appropriata, conforme alle istruzioni.
- Accertarsi che il sistema refrigerante sia collegato alla terra prima di caricare il sistema con il refrigerante.
- Etichettare il sistema dopo aver completato la carica (se già non lo è).
- Prestare particolare attenzione a non riempire eccessivamente il sistema refrigerante.
- Prima di ricaricare il sistema, va effettuato un test di pressione con un gas di spurgo appropriato. Al termine della carica, ma prima della messa in servizio, il sistema va ispezionato per accertarsi dell'assenza di perdite. Prima di lasciare il luogo deve essere effettuato un test di rilevamento delle perdite.

Smantellamento

• Prima di effettuare una procedura di smantellamento, è indispensabile che il tecnico abbia familiarità con l'apparecchio e le sue caratteristiche. Si raccomanda in particolare di recuperare tutti i refrigeranti. Prima di effettuare questa operazione, deve essere recuperato un campione di olio di refrigerante se è necessario effettuare delle analisi prima di riutilizzare il refrigerante recuperato. È indispensabile verificare la presenza dell'alimentazione elettrica prima di iniziare l'intervento.

1. Familiarizzare con l'apparecchio e la sua modalità di funzionamento.

2. Isolare elettricamente il sistema.

3. Prima di iniziare la procedura, accertarsi dei seguenti punti:

se necessario, è disponibile un dispositivo di manutenzione meccanico per manipolare le bombole di refrigerante;

tutti i dispositivi di protezione individuale sono disponibili e utilizzati in modo corretto;

il processo di recupero è controllato in tutte le fasi da una persona competente;

4. L'attrezzatura e le bombole di recupero sono conformi alle norme applicabili.

5. Evacuare il sistema refrigerante, se possibile.

6. Se non viene creato un vuoto, utilizzare un collettore per recuperare il refrigerante da diversi punti del sistema.

7. Accertarsi che la bombola si trovi sulle bilance prima di iniziare le operazioni di recupero.

8. Avviare il dispositivo di recupero e farla funzionare secondo le istruzioni.

9. Non riempire troppo le bombole (non oltre l'80% del volume di carico liquido).

10. Non oltrepassare la pressione massima di funzionamento della bombola, neanche temporaneamente.

11. Quando le bombole sono riempite correttamente e il processo è terminato, accertarsi che le bombole e l'attrezzatura siano rapidamente portate via dal luogo e che le valvole d'isolamento alternative dell'apparecchio siano chiuse.

12. Il refrigerante recuperato non deve essere caricato in un altro sistema refrigerante, a meno che non sia stato pulito e controllato.

RIPARAZIONE

• Ogni intervento di brasatura dovrà essere realizzato da un professionista qualificato.

• La sostituzione delle tubature sarà effettuata solo con tubo di rame in conformità alla norma NF EN 12735-1.

• Rilevazione di perdite, in caso di test sotto pressione:

non utilizzare mai ossigeno o aria secca: rischio d'incendio o di esplosione,

utilizzare l'azoto disidratato o una miscela di azoto e di refrigerante indicato sulla targhetta segnaletica,

la pressione del test lato bassa e alta pressione non deve superare i 42 bar nel caso in cui l'apparecchio sia dotato dell'opzione manometro.

• Per le tubature del circuito alta pressione realizzate con tubo di rame di un diametro \geq a 1"5/8, dovrà essere richiesto al fornitore un certificato §2.1 conforme alla norma NF EN 10204 da conservare nel fascicolo tecnico dell'impianto.

• Le informazioni tecniche relative ai requisiti di sicurezza delle diverse direttive applicate sono indicate

sulla targhetta segnaletica. Tutte queste informazioni devono essere registrate sul manuale d'installazione dell'apparecchio che deve essere allegato al fascicolo tecnico dell'impianto: modello, codice, numero di serie, TS massimo e minimo, PS, anno di produzione, marchio CE, indirizzo del produttore, refrigerante e peso, parametri elettrici, rendimento termodinamico e acustico.

ETICHETTATURA

- L'apparecchio deve essere etichettato indicando che è stato messo fuori servizio e che il refrigerante è stato rimosso.
- L'etichetta deve essere datata e firmata.
- Per gli apparecchi che contengono refrigerante infiammabile, controllare che le etichette siano apposte sull'apparecchio e rechino l'indicazione che contiene refrigerante infiammabile.

RECUPERO

- Al momento dello svuotamento del refrigerante, per la manutenzione o la messa fuori servizio, si raccomanda di seguire le buone pratiche per eliminare tutto il refrigerante in sicurezza.
- Quando il refrigerante viene trasferito in una bombola, utilizzare una bombola di recupero adatta al refrigerante. Munirsi di un numero di bombole sufficiente a recuperare tutto il fluido. Tutte le bombole devono essere state progettate per il recupero del refrigerante e etichettate per questo fluido frigorifero e etichettate per questo refrigerante specifico. Le bombole devono essere dotate di una valvola di depressione e di valvole di arresto in buono stato. Le bombole di recupero vuote sono evacuate e, se possibile, raffreddate prima del recupero.
- Il dispositivo di recupero deve funzionare correttamente, le istruzioni per l'uso del dispositivo devono essere a portata di mano e il dispositivo deve essere adatto al refrigerante in questione, compreso, eventualmente, il refrigerante infiammabile. Inoltre, devono essere disponibili delle bilance calibrate e perfettamente funzionanti. I tubi devono essere completi, non presentare perdite né collegamenti scollegati e devono essere in buono stato. Prima di utilizzare il dispositivo di recupero, controllare che funzioni perfettamente, che si stato sottoposto a manutenzione e che i componenti elettrici siano a tenuta per evitare un inizio di incendio in caso di liberazione del refrigerante. In caso di dubbi, rivolgersi al produttore.
- Il refrigerante recuperato deve essere inviato al fornitore di refrigerante nella bombola di recupero, con una bolla di trasporto rifiuti. Non mescolare differenti fluidi refrigeranti nelle unità di recupero e in particolare nelle bombole.
- Se il compressore è depresso e l'olio del compressore svuotato, controllare la corretta evacuazione del refrigerante per evitare che si mescoli al lubrificante. Il processo di svuotamento deve essere realizzato prima di inviare il compressore al fornitore. Solo la superficie scaldante del corpo del compressore può essere utilizzata per accelerare questo processo. Quando tutti i liquidi di un sistema sono spurgati, questa operazione deve essere realizzata in sicurezza.



Riciclaggio

Questo simbolo richiesto dalla direttiva europea DEEE 2012/19/UE (direttiva relativa ai rifiuti di apparecchi elettrici e elettronici) indica che l'apparecchio non può essere smaltito come rifiuto ordinario. Sarà destinato alla raccolta differenziata in vista del suo riutilizzo, riciclaggio o valorizzazione. Se contiene sostanze potenzialmente dannose per l'ambiente, saranno eliminate o neutralizzate. Informarsi presso il proprio rivenditore sulle modalità di riciclaggio.

FSN ON/OFF -5°C

Manuale dell'utente e di servizio

INDICE

1. Specifiche
2. Dimension
3. Installazione e collegamento
4. Accessori
5. Cablaggio elettrico
6. Display Controller Operation
7. Risoluzione dei problemi
8. Diagramma esploso
9. Manutenzione

Grazie per aver usato la nostra pompa di calore per riscaldare la piscina, riscalderà l'acqua della piscina e manterrà la temperatura costante quando la temperatura ambiente dell'aria è compresa tra -5 e 43 °C.

Questo manuale contiene tutte le informazioni necessarie.



ATTENZIONE:

- La pompa di calore deve essere installata dai tecnici qualificati venuti dal post-vendita Centro o dal distributore autorizzato.
Si prega di conservare questo manuale per dopo per tutta la vita utile dell'apparecchio.
- L'operazione e la manutenzione devono essere conformi al tempo e alla frequenza raccomandati nel manuale.
- Utilizzare solo i pezzi di ricambio standardizzati.

1. Specifiche

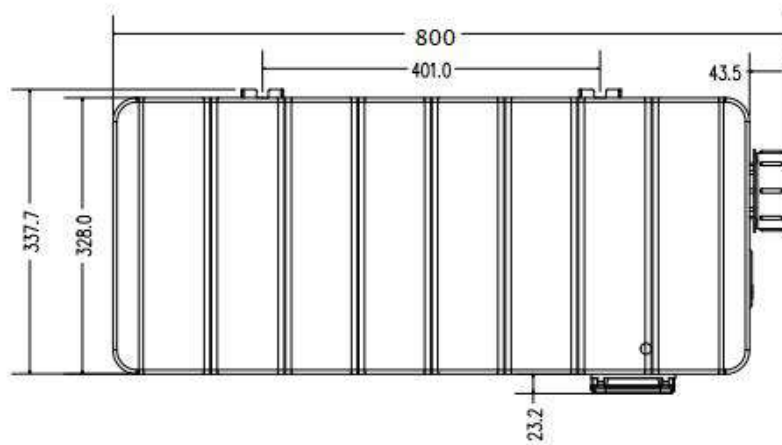
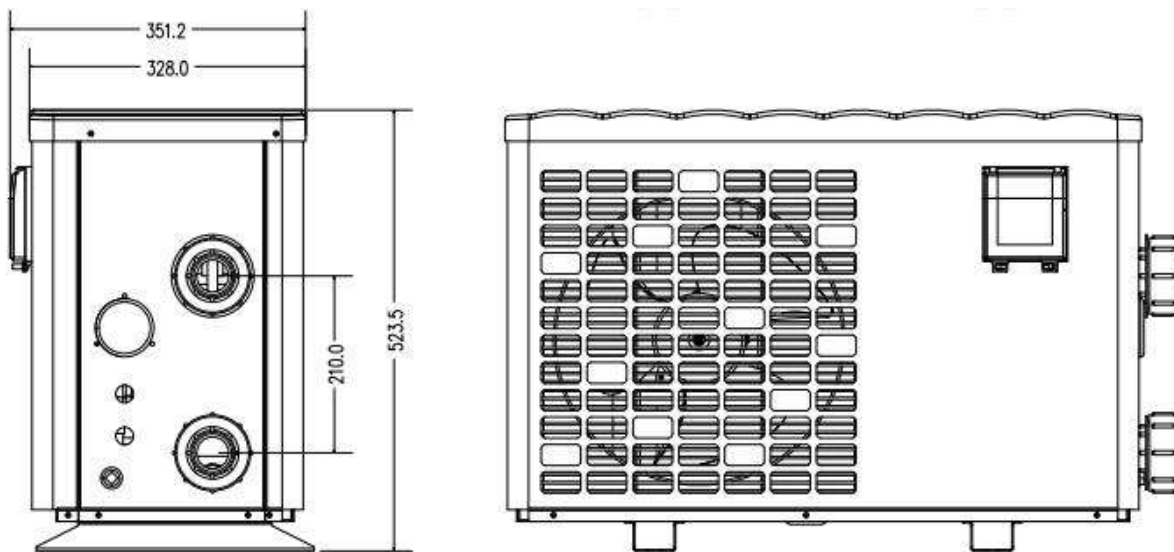
1.1 Dati tecnici

Modelli		74143	74144	74145	74146	74147
Riferimento		FSN-05	FSN-08	FSN-11	FSN-14	FSN-17
*Capacità di aria 28°C acqua 28°C,Umidità 80%						
Calore di uscita	kW	5	7.5	11	14	16.5
Consumo di power	kW	1	1.4	2.2	2.6	2.9
C.O.P.		5	5.4	5	5.4	5.7
*Capacità di aria 15°C acqua 26°C,Umidità 70%						
Calore di uscita	kW	3.5	5.5	7.5	9.5	11.5
Consumo di power	kW	0.9	1.3	1.8	2.3	2.50
C.O.P.		4	4.4	4.3	4.2	4.6
* Dati generali						
Compressore		Rotante				
Voltaggio	V	220-240V/50Hz/1PH				
Corrente Nominale	A	4.3	6.0	9.4	11.1	12.8
Fusibile Consigliabile	A	12	17	26	31	35
Flusso consigliabile d'acqua	m ³ /h	2.5~3.2	2.5~3.7	3.5~7.1	4~7.9	4.6~9.3
Perdita di carico dell'acqua	Kpa	12	12	15	15	15
Condensatore		Tubo Twist-Titanium in PVC				
Specificazione del tubo d'acqua di entrata e di uscita	mm	50				
Quantità di ventole		1				
Tipo di ventilazione		Horizontal				
Livello di rumore di 10m	dB(A)	31	32	35	37	37
Livello di rumore di 1m	dB(A)	49	50	52	54	54
Quantità di refrigerante	g	400	550	950	1000	1000
Equivalentente di CO2	Tonne	0.27	0.37	0.64	0.68	0.68
* Dimension/Weight						
Peso netto	Kg	38	48	54	72	76
Peso lordo	Kg	40	50	56	76	84
Dimensione netta	mm	800*360.9*523.5	977.6*396.2*571.5		1102.3*432.7*703.7	
Dimensione di imballaggio	mm	875*385*560	1055*420*605		1125*490*728	

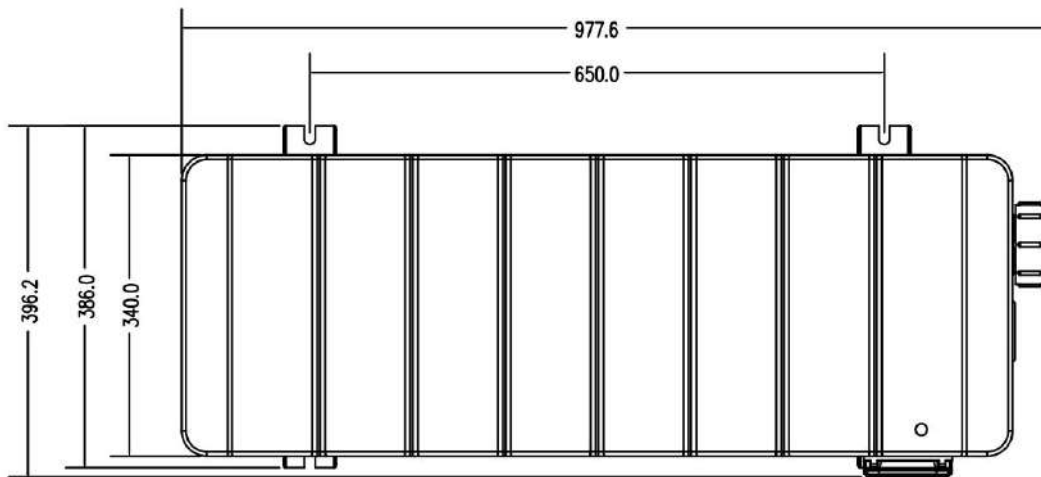
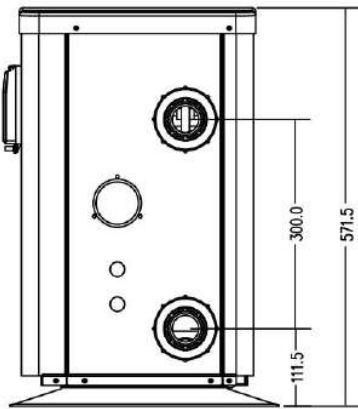
*I dati riportati sopra sono soggetti alle modificazioni senza annuncio.

2. Dimensione (mm)

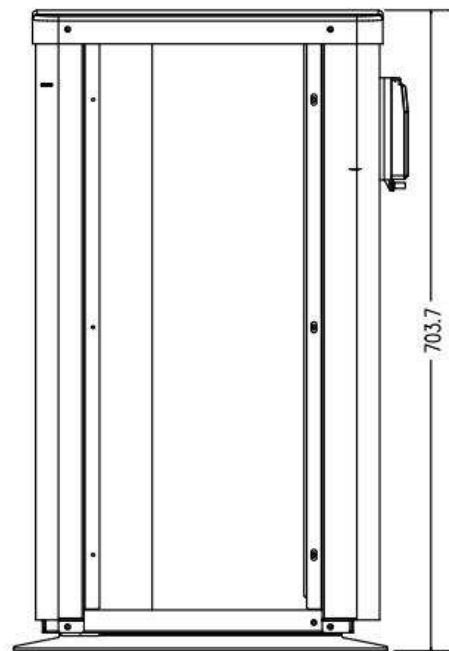
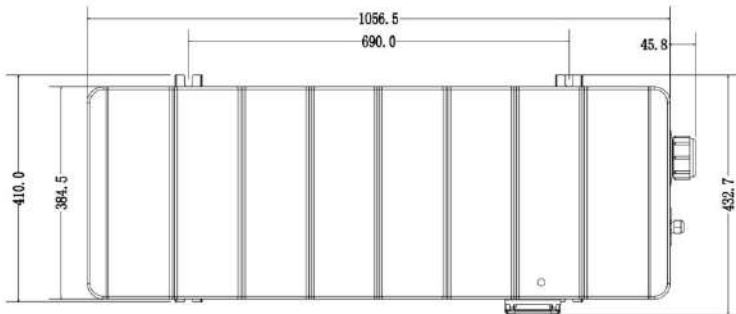
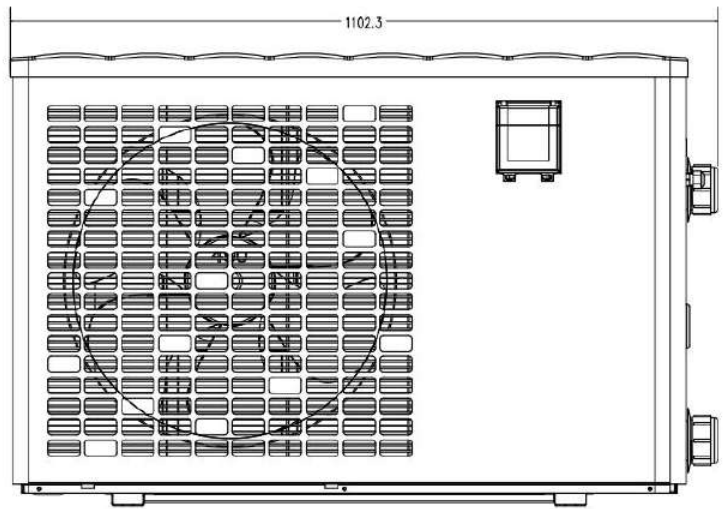
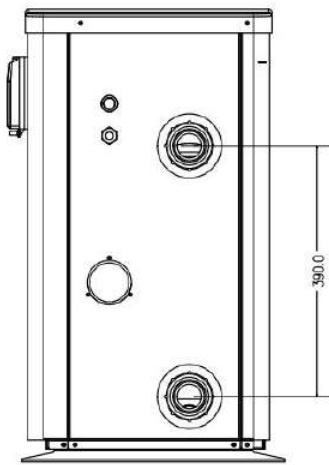
Modelli: FSN-05



Modelli: FSN-08 & FSN-11



Modelli: FSN-14 & FSN-17



3. Installazione e collegamento

3.1 Nota

I rifornimenti della fabbrica solo la pompa di calore. Tutti gli altri componenti, tra cui un bypass se necessario, devono essere forniti dall'utente o dall'installatore.

Attenzione:

Si prega di osservare le seguenti regole durante l'installazione della pompa di calore:

1. Qualsiasi aggiunta di sostanze chimiche deve avvenire nelle tubazioni a valle della pompa di calore.

2. Installare un bypass se il flusso dell'acqua dalla pompa piscina è superiore al 20% maggiore della portata consentita attraverso lo scambiatore di calore della pompa di calore.

3. Installare la pompa di calore al di sopra del livello dell'acqua della piscina.

4. collocare sempre la pompa di calore su una base solida e utilizzare i supporti in gomma in dotazione per evitare vibrazioni e rumore.

5. Tenere sempre la pompa di calore in posizione verticale. Se l'unità è stata tenuta in un angolo, attendere almeno 24 ore prima di avviare la pompa di calore.

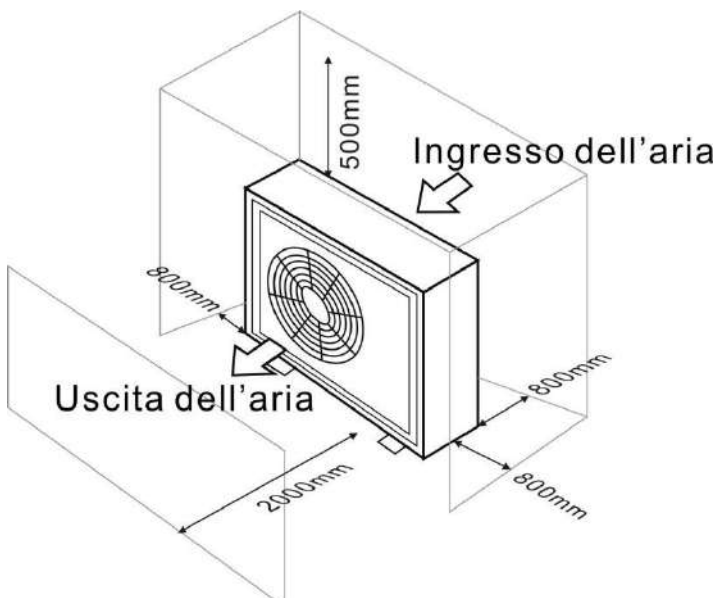
3.2 Posizione della pompa di calore

L'unità funziona correttamente in qualsiasi posizione desiderata finché i seguenti tre elementi sono presenti:

1. Aria fresca - 2. Elettricità - 3. nuoto filtri piscina

L'unità può essere installata praticamente in qualsiasi luogo all'aperto, purché le distanze minime indicate ad altri oggetti vengono mantenuti (vedi disegno qui sotto). Si prega di consultare il programma di installazione per l'installazione di una piscina coperta. L'installazione in una posizione ventosa non presenta alcun problema, contrariamente alla situazione con un riscaldatore a gas (compresi problemi fiamma pilota).

Attenzione: L'impianto non deve essere installato in una limitata zona ventilata, o posto in un cespuglio dove si blocca l'entrata dell'aria. Questi posti impediscono l'impianto di una continua fonte di aria fresca. Quando cambia la stagione, probabilmente le foglie cadono sull'evaporatore, così da ridurre l'efficienza e danneggiare la sua vita di servizio. Vedere il disegno sottostante per le dimensioni minime.

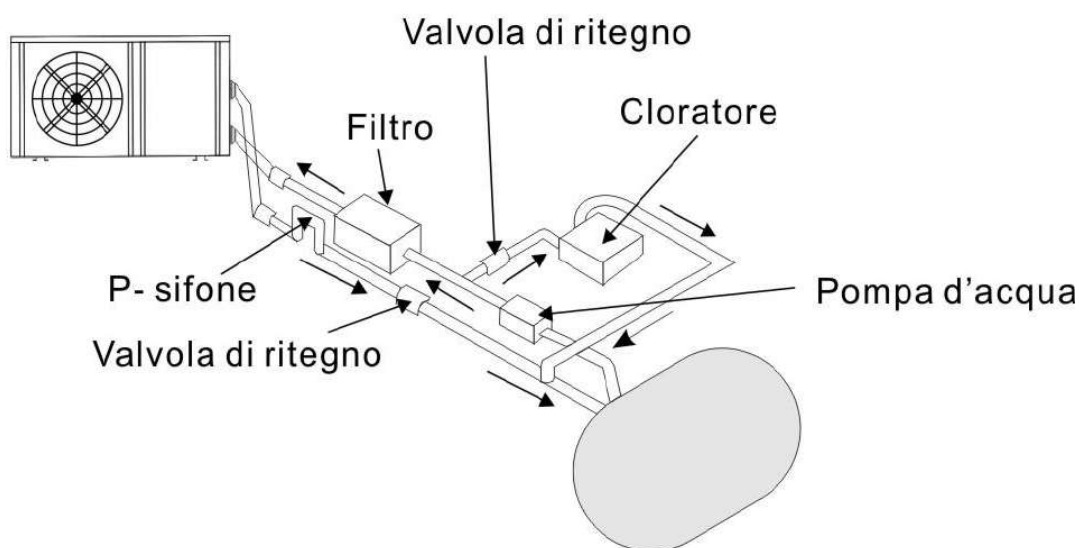


3.3 Valvola di ritegno installazione

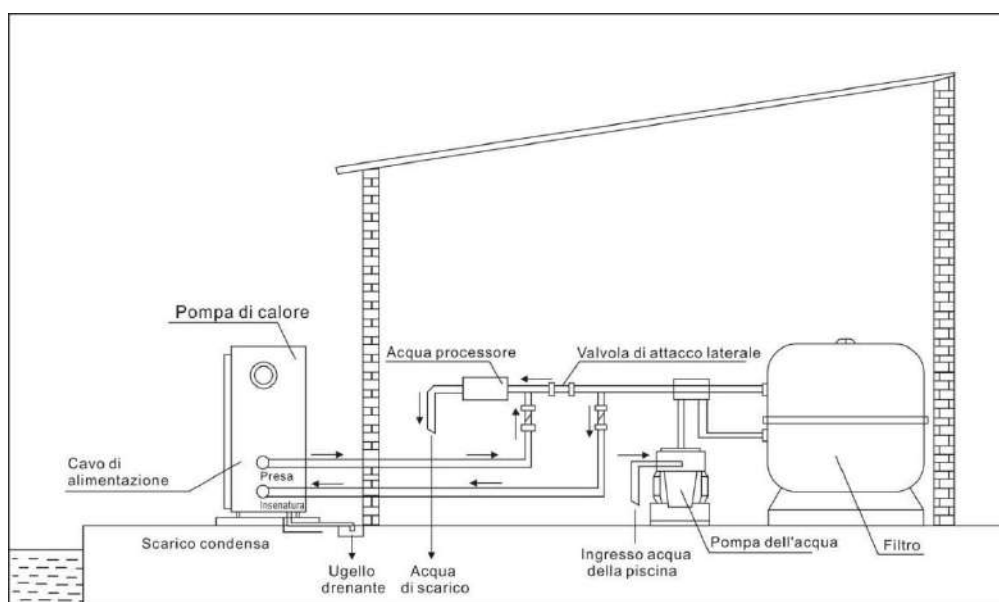
Nota: Se viene utilizzato un apparecchio di dosaggio automatico per il cloro e acidità (pH), è indispensabile per proteggere la pompa di calore contro concentrazioni chimiche eccessivamente elevate che possono corrodere lo scambiatore di calore. Per questo motivo, le attrezzature di questo tipo deve sempre essere installato nella tubazione sul lato a valle della pompa di calore, e si consiglia di installare una valvola di ritegno per impedire un flusso inverso in assenza di circolazione dell'acqua.

I danni alla pompa di calore causati dalla mancata osservanza di questa indicazione non è coperto dalla garanzia.

Cloratore o Bromuratore del tipo di pressione

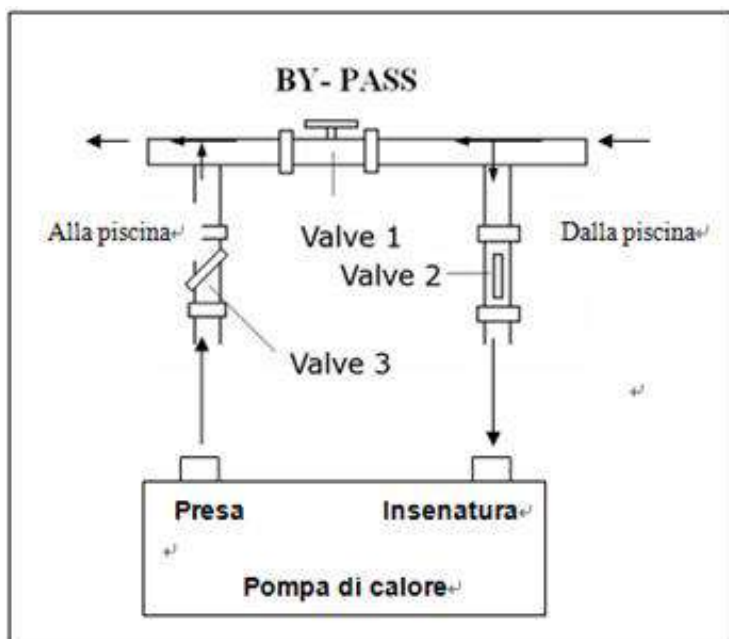


3.4 Disposizione tipica



Nota: Questa disposizione è solo un esempio illustrativo.

3.5 Regolazione del bypass



Si prega di prendere sotto i passaggi per regolare il by-pass:

1. Valvola 1 spalancata. Valvola 2 e valvola 3 chiuse.
2. Aprire lentamente la valvola 2 e la valvola 3 della metà, quindi chiudere lentamente la valvola 1 per aumentare il flusso dell'acqua alla valvola 2 e alla valvola 3.
3. Se mostra "ON" o "EE3" sul display, significa che il flusso d'acqua nella pompa di calore non è sufficiente, quindi è necessario regolare le valvole per aumentare il flusso d'acqua attraverso la pompa di calore.

Come ottenere il flusso d'acqua ottimale:

Si prega di accendere la pompa di calore sotto la funzione di riscaldamento, in primo luogo chiudere il by-pass e aprirlo lentamente per avviare la pompa di calore (la macchina non può iniziare a funzionare quando il flusso d'acqua è insufficiente).

Continuare a regolare il by-pass, nel frattempo verificare la temperatura dell'acqua in ingresso. & Temperatura dell'acqua in uscita, sarà ottimale quando la differenza è di circa 2 gradi.

3.6 Collegamento elettrico

Nota: Anche se la pompa di calore è isolato elettricamente dal resto del sistema piscina, questo impedisce solo il flusso di corrente elettrica o dall'acqua nella piscina. La messa a terra è ancora necessaria per la protezione contro i cortocircuiti all'interno dell'unità. Sempre fornire una buona messa a terra. L'installatore deve consultare il fornitore di energia elettrica se necessario e assicurarsi che l'apparecchiatura sia collegata correttamente a una rete elettrica con impedenza inferiore a 0,095 ohm.

Avvertenza: prima di qualsiasi lavoro all'interno dell'apparecchio, è necessario interrompere l'alimentazione elettrica dell'apparecchio poiché esiste il rischio di scosse elettriche che possono causare danni materiali, lesioni gravi o addirittura la morte.

- I terminali serrati in modo errato possono causare il surriscaldamento della morsetteria, che può invalidare la garanzia.

- Solo un tecnico qualificato ed esperto è autorizzato a eseguire lavori di cablaggio all'interno del apparecchio o per sostituire il cavo di alimentazione.

Prima di collegare l'apparecchio, verificare che la tensione di alimentazione corrisponda alla tensione di funzionamento della pompa di calore.

Si raccomanda di collegare la pompa di calore ad un circuito con un proprio fusibile o interruttore automatico (tipo lento; curva D) e di utilizzare il cablaggio adeguato.

Per i modelli orizzontali: rimuovere il pannello a destra della ventola.

Interruttore del flusso d'acqua:

Il gruppo è dotato di un interruttore di flusso per proteggere il componente HP al fine di farlo operare con l'adeguato tasso di flusso d'acqua. L'interruttore si accende quando la pompa di piscina funziona e si spegne quando la pompa smette di lavorare. Se il livello dell'acqua di piscina supera 1 m al di sopra o di sotto del pulsante di regolazione automatica, il rivenditore ha bisogno di regolare l'avviamento iniziale del gruppo.

Ritardo del tempo:

Il componente HP dovrebbe essere equipaggiato con una 3-minuti built-in solid-state re-start protezione del ritardo. Il controllore del ritardo del tempo è una parte integrale del controllo di circuito, e può eliminare il ciclamento del riavviamento e la vibrazione del contattore.

Il ritardo del tempo riavvia automaticamente il componente HP per circa 3 minuti approssimativamente dopo ogni interruzione del controllo di circuito. Una breve interruzione di power può provocare il ritardo di riavviamento dello stato di solido per 3 minuti, e prevenire il componente da quando comincia a funzionare fino a quando è terminato il conteggio alla rovescia per 3 minuti.

3.8 condensa



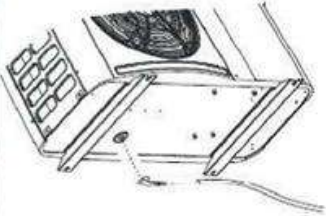



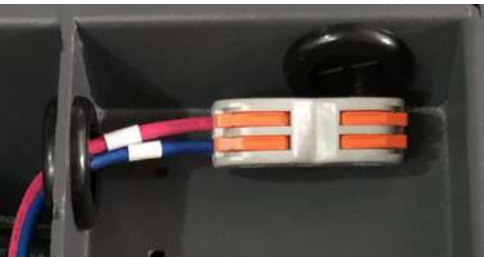
L'aria aspirata nella pompa di calore è fortemente raffreddata dal funzionamento della pompa di calore per riscaldare l'acqua della piscina, che può causare la formazione di condensa sulle alette dell'evaporatore. La quantità di condensa può essere fino a diversi litri all'ora ad alta umidità relativa. Questo è talvolta erroneamente considerato una perdita d'acqua.

4. Accessori

4.1 lista Accessori

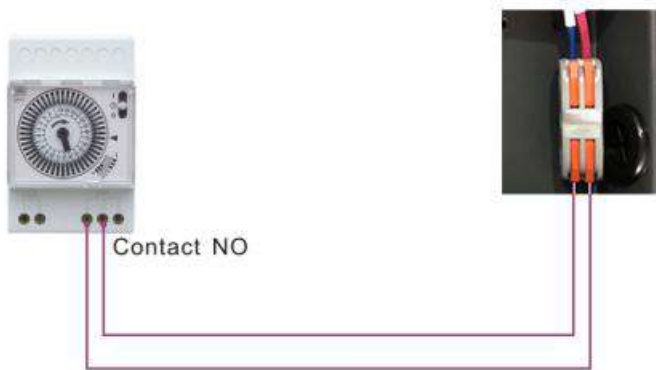
 Base anti-vibrazione, 4 pezzi	 Drenante jet, 2 pezzi	 Scatola impermeabile, 1 pezzo
 Copertura invernale, 1 pezzi	 Tubi di drenaggio, 2 pezzi	 Cavo di segnale da 10 m, 1 pezzo

4.2 Accessori di installazione

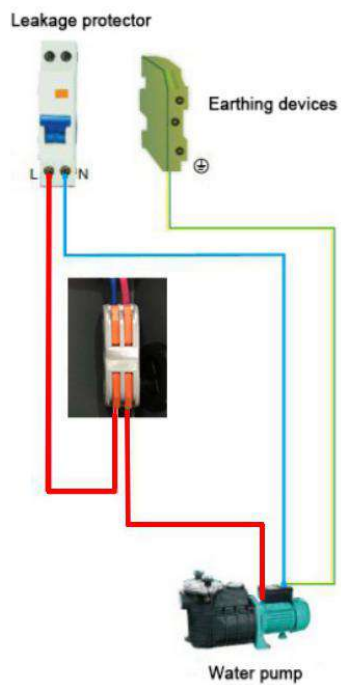
		<p>Anti-vibration bases</p> <ol style="list-style-type: none"> 1. Estrarre 4 basi antivibranti 2. Mettere uno per uno sul fondo della macchina come l'immagine.
		<p>Getto drenante</p> <ol style="list-style-type: none"> 1. Installare il getto di scarico sotto il pannello inferiore 2. Collegare con un tubo di acqua per drenare l'acqua. <p>Note: Nota: Sollevare la pompa di calore per installare il jet. Non ribaltare la pompa di calore, potrebbe danneggiare il compressore.</p>
		<p>Ingresso acqua & svincolo di uscita</p> <ol style="list-style-type: none"> 1. Installare le due articolazioni, come l'immagine mostra. 2. li avvitare l'acqua in ingresso e uscita svincolo
		<p>Cablaggio del cavo</p> <ol style="list-style-type: none"> 1. Aprire il coperchio della scatola elettrica 2. Fissare il cavo di alimentazione sui giunti L N E
		<p>Cablaggio della pompa dell'acqua (contatto a secco)</p> <ol style="list-style-type: none"> 1. Aprire il coperchio della scatola elettrica 2. Con il connettore 1 e 2 è possibile pilotare la filtrazione dell'acqua tramite il timer della filtrazione (dry contact)

Timer di collegamento con contatto privo di tensione

Timer



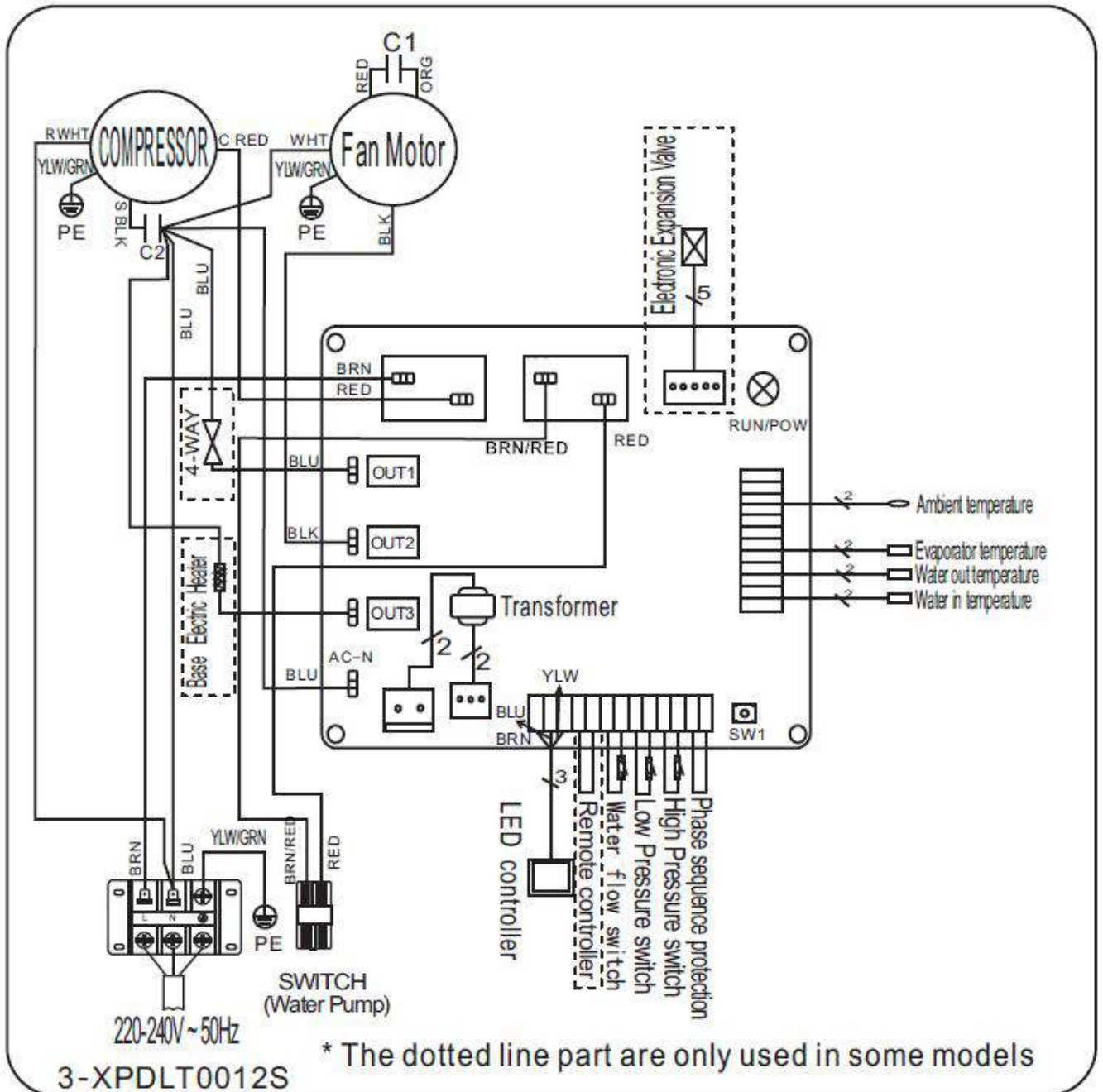
Collegamento della pompa con contatto privo di tensione



5. Cavi Elettrici

5.1 PISCINA POMPA DI CALORE SCHEMA

FSN-05 / FSN-08 / FSN-11



FSN-05:

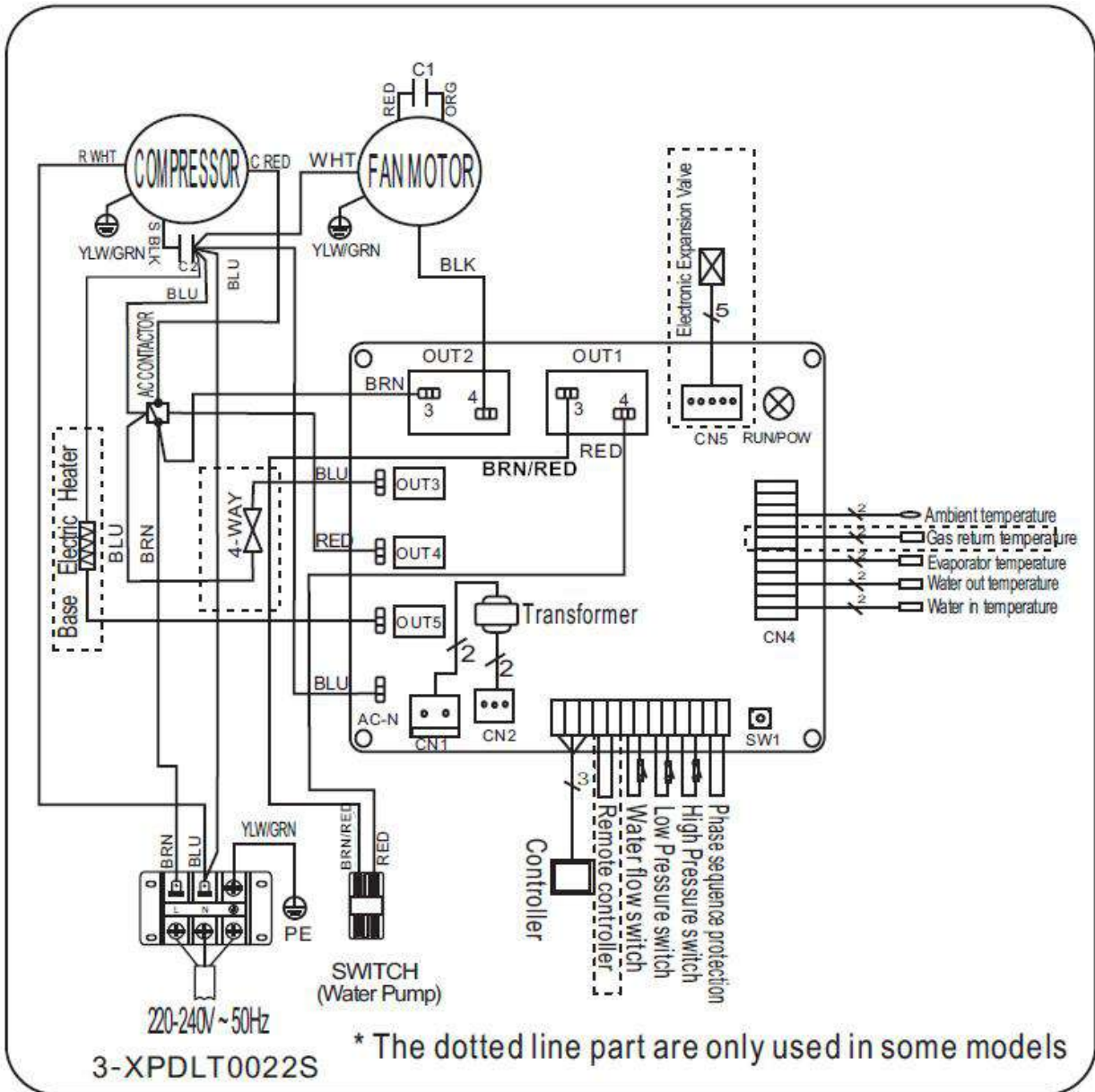
C1 = Condensatore ventola = 2uF/450V

C2 = Compressore condensatore = 35uF/450V

FSN-08 / FSN-11:

C1 = Condensatore ventola = 2uF/450V

C2 = Compressore condensatore = 60uF/450V



FSN-14/ FSN-17:

C1 = Condensatore ventola = 6uF/450V

C2 = Compensatore condensatore = 70uF/450V

NOTE:

(1) Questi disegni dei fili elettrici sono solo un riferimento per voi, per favore fate il montaggio dell'impianto secondo il disegno.

(2) La pompa di calore di piscina deve essere collegata con i fili della terra bene, anche se lo scambiatore di calore è isolato elettricamente dal resto del gruppo. Collegare l'impianto con la terra è molto necessario al fine di proteggerci dai cortocircuiti all'interno dell'impianto. E' richiesto anche il legame di tutte le parti.

Distacco: Un impianto di distacco (interruttore magnetotermico, interruttore con il fusibile o non-fusibile) dovrebbe essere localizzato nell'ambito della vista e accessibile con facilità. Questa è una norma comune per quanto riguarda le pompe di calore commerciali e residenziali. Può prevenire di manovrare a distanza l'apparecchio incustodito e consente di spegnere il power quando il gruppo è in servizio.

5.2 L'installazione del depuratore e visualizzazione

Foto (1)



Foto (2)



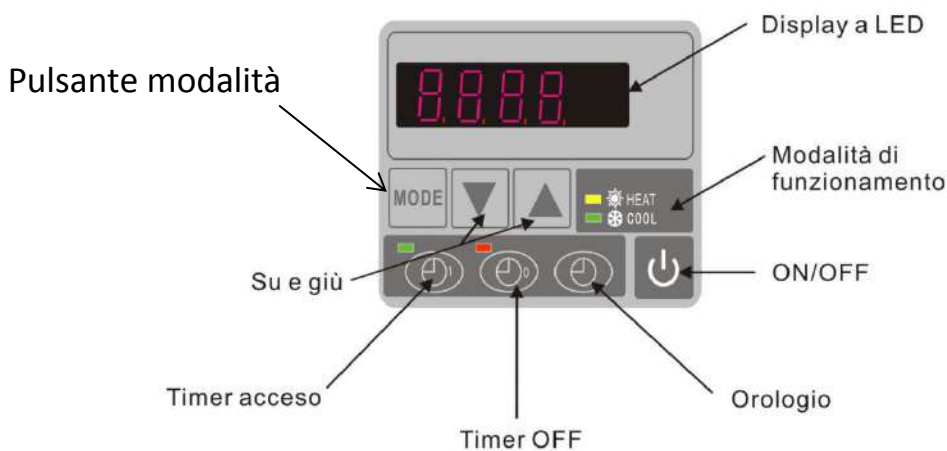
Foto (3)



- Smontaggio e scheda di controllo scollegata del connettore (foto1)
- L'installazione del cavo in dotazione (foto 2)
- Per far passare il cavo dalla cartella stampa (foto 3) e per collegare l'altro direttamente

6. Display controller Operazione


6.1 I pulsanti di comando a filo LED



Quando la pompa di calore è in funzione, il display a LED mostra la temperatura dell'acqua in ingresso.

Quando la pompa di calore è in standby, il display a LED mostra il tempo reale.

6.2 Avviare o arrestare la pompa di calore.




Premere  per avviare la pompa di calore, il display LED indica la temperatura dell'acqua desiderata per 5 secondi, poi mostra la temperatura dell'acqua in ingresso.


Premere  per fermare la pompa di calore.

6.3 Scegliere il riscaldamento o il raffreddamento:

Premere  fino a "HEAT" o la luce "Cool" è acceso.

6.4 Impostazione del tempo reale

In stand-by o la modalità di esecuzione, premere  , quindi premere il tasto  o  per regolare ora / minuto.

Quindi premere  , il nuovo per memorizzare i nuovi dati.

Quando si imposta il tempo,  e  può non funzionare.




6.5 Impostazione della temperatura dell'acqua:

In standby o modalità, premere in esecuzione  e  per regolare la temperatura dell'acqua desiderata

Nota: la pompa di calore può funzionando solo se il sistema circolare acqua / filtrazione è in esecuzione .




6.6 Avvio / arresto automatico della pompa di calore

Per impostare l'ora per avviare l'unità

Premere  per impostare il tempo per avviare l'unità, poi premere  o  per regolare il tempo (impostare il tempo per l'inizio 5 minuti dopo la pompa dell'acqua).

Premere nuovamente  per memorizzare i nuovi dati.

Per impostare il tempo di arrestare l'unità

Premere  per impostare il tempo di smettere di correre, quindi premere  o  per regolare il tempo (impostare il tempo per l'arresto 5 minuti prima della pompa ad acqua).

Premere nuovamente  per memorizzare i nuovi dati.

6.7 Annulla il sistema start / stop

Per annullare la starter automatico

Premere , quindi premere “”,  luce spenta e l'avvio automatico è spento.




Per annullare l'arresto automatico

Premere , quindi premere “”,  luce spenta e l'arresto automatico è spento.



Nota: se il sistema di filtrazione dell'acqua si arresta prima della pompa di calore, l'unità si spegne (condizione di sicurezza) e il codice EE3 o ON pubblicizzare sul controller. È importante programmare la pompa di calore collegare il programma tempo del sistema di filtrazione dell'acqua. Per riavviare la pompa di calore, spegnere e accendere l'alimentazione elettrica per riavviare l'unità.




6.8. Esecuzione di impostazione dei dati



6.8.1 Come controllare i parametri

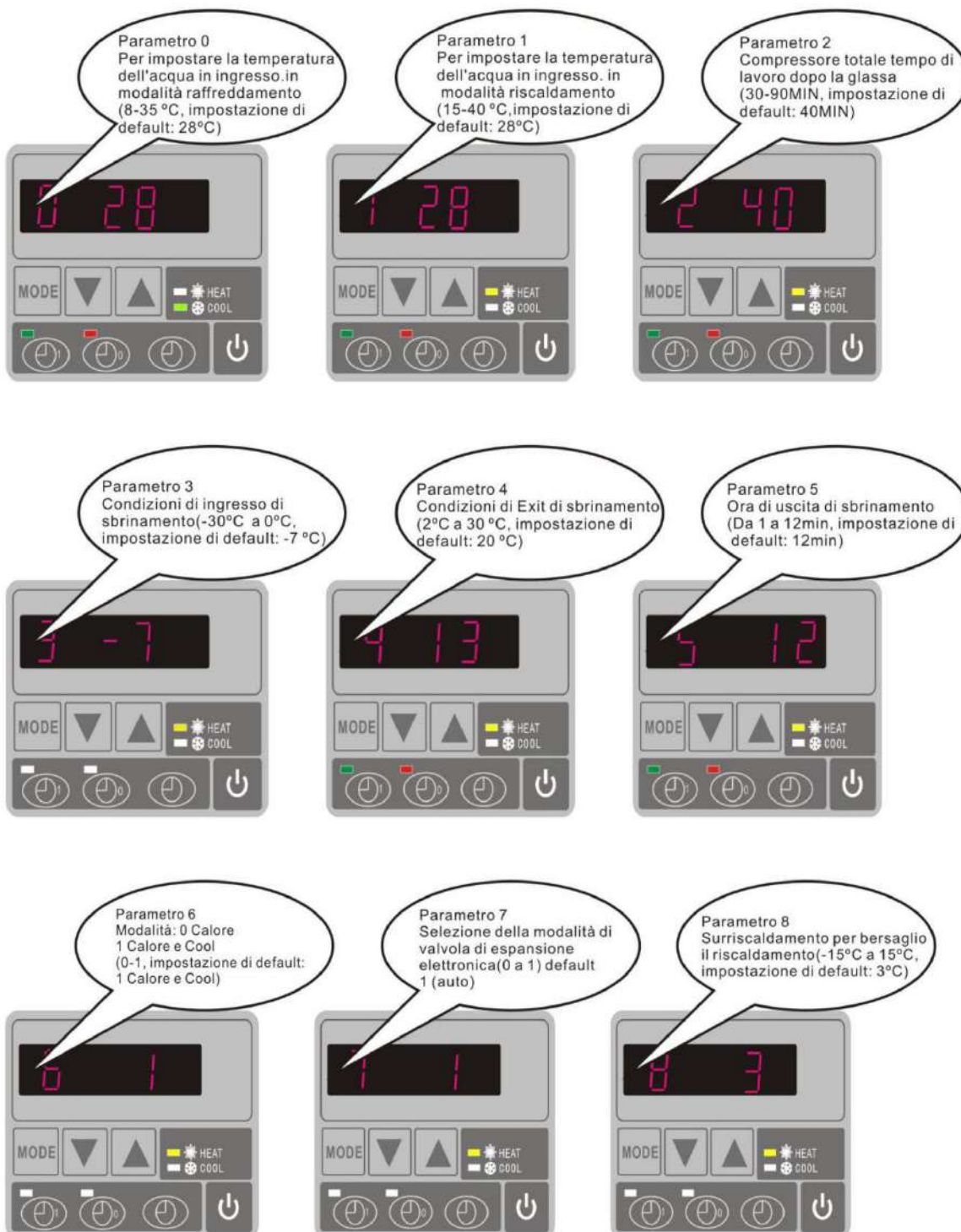
In modalità standby o in esecuzione, premere a lungo “” per 10 secondi, poi premere  o  per controllare i parametri (da 0 a H, vedere il funzionamento tabella parametri).

6.8.2 Come regolare i parametri (può registrare solo in modalità standby)

1) Premere a lungo  per 10 secondi, premere  per selezionare i dati (da 0 a L, vedere il funzionamento tabella parametri) che si desidera regolare.

2) Quindi premere  o  per regolare il parametro, premere  per memorizzare i nuovi dati.

3) Quindi premere  o  selezionare gli altri dati che si desidera regolare, ripetere sopra operazione.

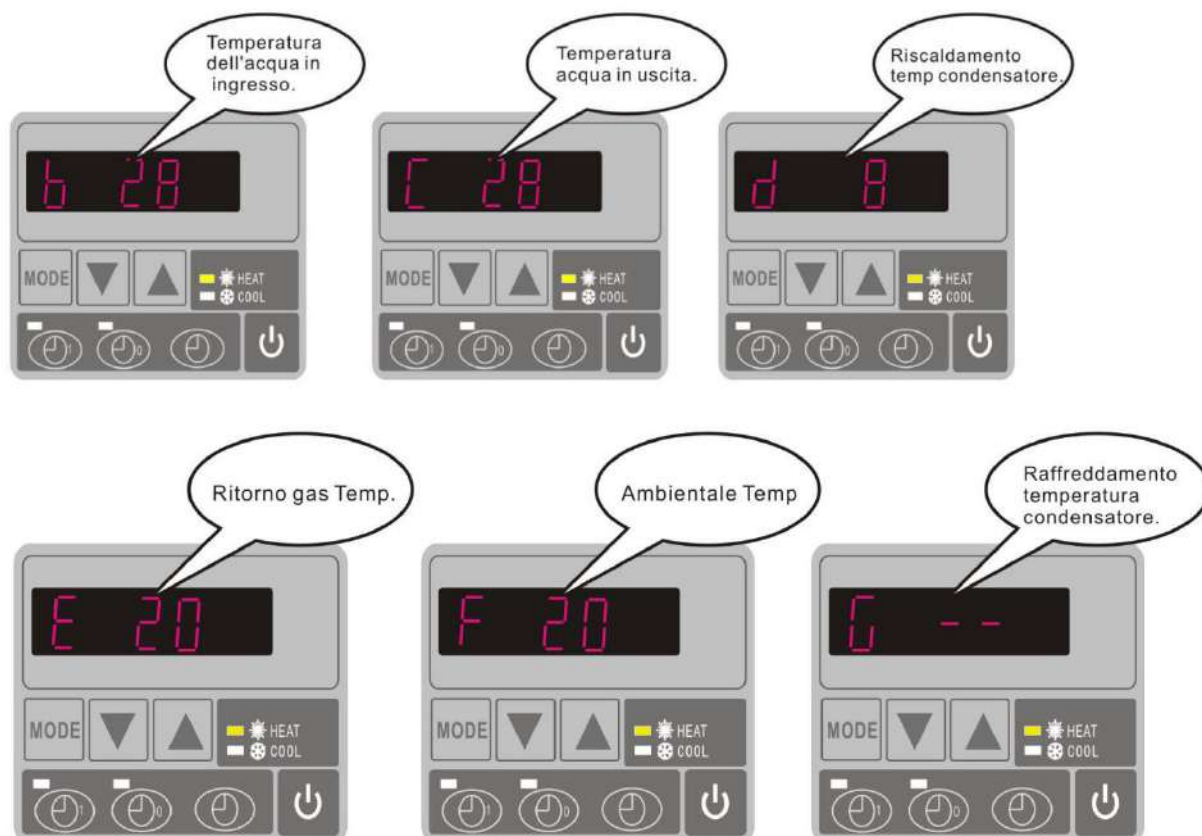




Si prega gentilmente notare:

- A) Premere il tasto "MODE" modalità tra cui scegliere (modalità essere cambiato solo per l'impostazione "2" del parametro 6) "1" o
- B) Modalità può essere modificata durante l'esecuzione
- C) riscaldamento elettrico ausiliario non è applicabile a queste modalità.

6.8.3 Cómo conocer el estado actual





Parametri	Utilità	Gamma	Default	Remarks
0	Per impostare la temperatura dell'acqua di entrata in modalità di raffreddamento	7-35°C	28°C	Regolabile
1	Per impostare la temperatura dell'acqua di entrata in modalità di riscaldamento	15-40°C	28°C	Regolabile
2	Entrare nel periodo di scongelamento	30-90MIN	40MIN	Regolabile
3	Termine tecnico di entrare nel funzionamento di scongelamento	-30°C to 0°C	-7°C	Regolabile
4	Termine tecnico di uscire dallo scongelamento	2 to 30°C	20°C	Regolabile
5	Tempo di uscire dallo scongelamento	1 to 12MIN	12MIN	Regolabile
6	Modalità: 0 Caldo 1 Caldo e Freddo	0-1	1(Caldo e Freddo)	Regolabile
7	Selezione della modalità della valvola di espansione elettronica	0-1	1(auto)	Regolabile
A	Procedure di regolazione manuale della valvola di espansione elettronica	18-94	70	Regolabile
B	Temperatura dell'acqua di entrata	-9 to 99°C		Valore di test esatto
C	Temperatura dell'acqua di uscita	-9 to 99°C		Valore di test esatto
D	Temperatura di condensatore in modalità di riscaldamento	-9 to 99°C		Valore di test esatto
E	Temperatura del ritorno di gas	-9 to 99°C		Valore di test esatto
F	Temperatura ambientale	-9 to 99°C		Valore di test esatto
G	Temperatura di condensatore in modalità di raffreddamento	-9 to 99°C		Valore di test esatto
H	Procedure effettive della valvola di espansione elettronica	N*5		Valore di test esatto
L	Calibrazione della temperatura acqua in entrata	-9.9-9.9	0	Regolabile

Osservazioni:
















(1) Quando si ferma HP in esecuzione in 30 secondi, la pompa dell'acqua si spegne automaticamente comando a filo (2) LED può azionare la pompa dell'acqua dopo ulteriore cavo collegato al dispositivo pompa in posizione di morsetto "PUMP" precisione.

7. Risoluzione dei problemi

7.1 Errori dei codici dimostrati sul controllore dei fili elettrici di LED

Malfunzione	Errori dei codici	Motivi	Soluzioni
Protezione dalla bassa temperatura ambiente	PP0	La temperatura ambiente è troppo bassa	
Guasto di sensore della temperatura dell'acqua di entrata	PP1	Il sensore in open o il cortocircuito	Controllare o sostituire il sensore
Guasto di sensore della temperatura dell'acqua di uscita	PP2	Il sensore in open o il cortocircuito	Controllare o sostituire il sensore
Guasto di sensore del condensatore di riscaldamento	PP3	Il sensore in open o il cortocircuito	Controllare o sostituire il sensore
Guasto di sensore del ritorno di gas	PP4	Il sensore in open o il cortocircuito	Controllare o sostituire il sensore
Guasto di sensore della temperatura ambientale	PP5	Il sensore in open o il cortocircuito	Controllare o sostituire il sensore
La differenza tra l'acqua di entrata e di uscita è troppo.	PP6	Il volume del flusso d'acqua non è sufficiente, la differenza di pressione è troppo bassa	Controllare il volume del flusso d'acqua, o se l'acqua è bloccata o no
Il primo grado della protezione antigela in inverno	PP7	La temperatura ambientale o la temperatura dell'acqua di entrata è troppo bassa	La pompa d'acqua funziona automaticamente per il primo grado di antigelo
Il secondo grado della protezione antigela in inverno	PP7	La temperatura ambientale o la temperatura dell'acqua di entrata è troppo bassa	La pompa di calore inizia a riscaldare per il secondo grado di antigelo
Protezione di alta pressione	EE1	<ol style="list-style-type: none"> 1. Le sostanze refrigeranti sono troppe 2. Il flusso di aria non è sufficiente 	<ol style="list-style-type: none"> 1. Scaricare le ridondanti sostanza refrigeranti dal HP sistema di gas 2. Pulire lo scambiatore dell'aria
Protezione di bassa pressione	EE2	<ol style="list-style-type: none"> 1. Le sostanze refrigeranti sono troppe 2. Il flusso d'acqua non è sufficiente 3. Il filtro bloccato o capillari bloccati 	<ol style="list-style-type: none"> 1. Controllare se ci sono perdite di gas, ricaricare le sostanza refrigeranti 2. Pulire lo scambiatore dell'aria 3. Sostituire il filtro o il capillare
Guasto dell'interruttore del flusso	EE3 or ON	No acqua /poca acqua	Controllare il volume del flusso d'acqua e la pompa d'acqua
Malfunzione della differenza di temperatura dell'acqua di entrata e di uscita	EE5	Water flow volume is not enough ,water pressure difference is too low	Controllare il tasso di flusso d'acqua, o se il sistema d'acqua è bloccato o no
Guasto della comunicazione	EE8	La connessione dei fili elettrici non funziona bene	Controllare la connessione dei fili elettrici

7.2 Display Malfunzionamento su PCB

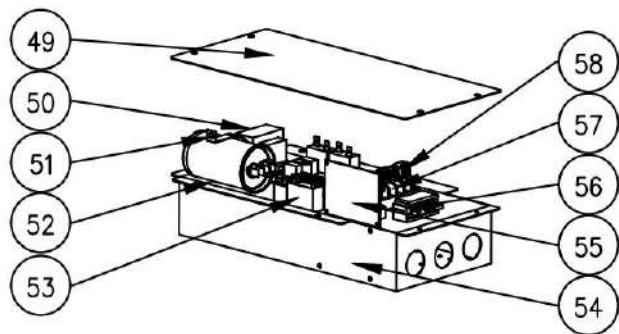
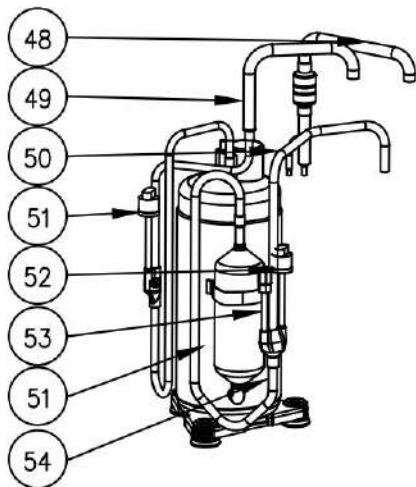
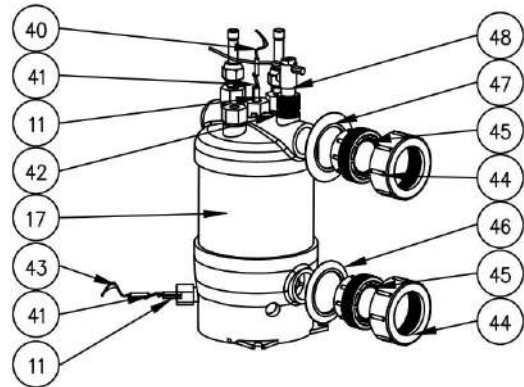
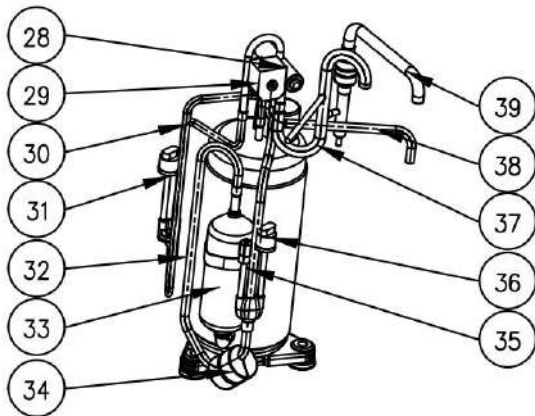
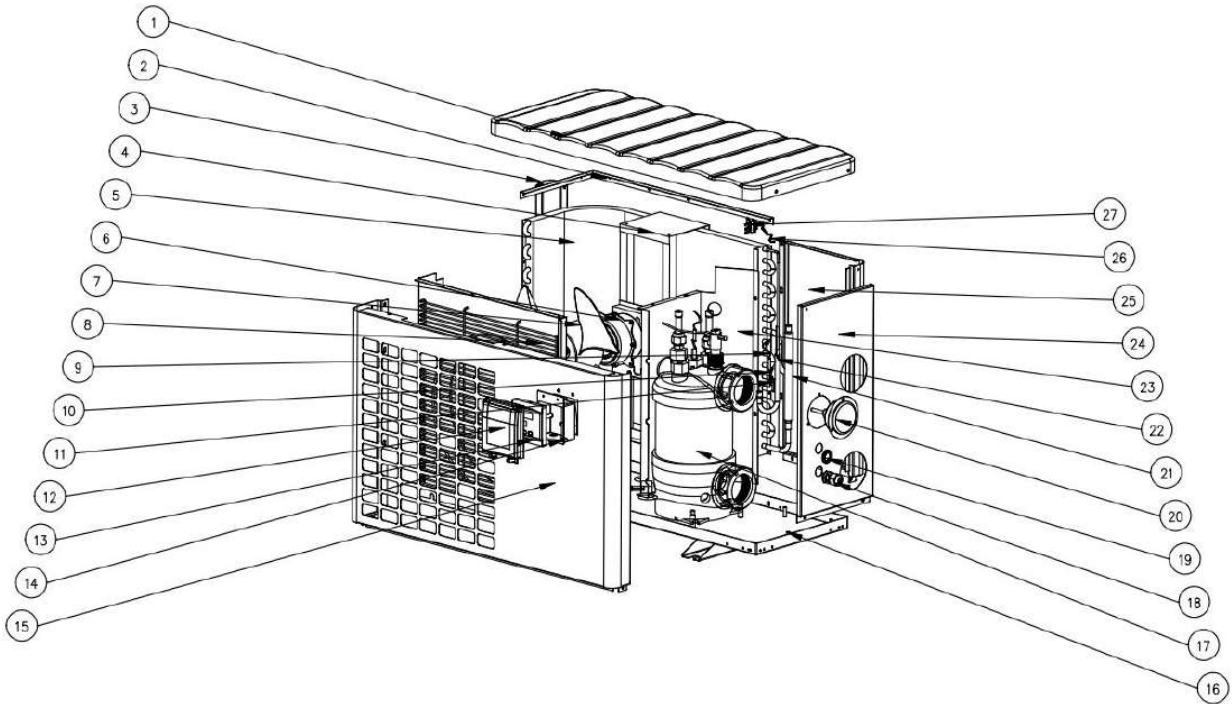
Protezione /Malfunzionamento	Display del controller	Display Malfunzionamento su PCB
Pompa di calore stato di standby	ON	OFF
Pompa di calore in funzione	Temperatura dell'acqua di entrata	
Low ambient protezione temperatuer	PP0	
Guasto di sensore della temperatura dell'acqua di entrata	PP1	
Guasto di sensore della temperatura dell'acqua di uscita	PP2	
Guasto di sensore del condensatore di riscaldamento	PP3	
Guasto di sensore del ritorno di gas	PP4	
Guasto di sensore della temperatura ambientale	PP5	
La differenza tra l'acqua di entrata e di uscita è troppo.	PP6	
Il primo grado della protezione antigela in inverno	PP7	
Il secondo grado della protezione antigela in inverno	PP7	
Protezione di alta pressione	EE1	
Protezione di bassa pressione	EE2	
Guasto dell'interruttore del flusso	ON/EE3	
Malfunzione della differenza di temperatura dell'acqua di entrata e di uscita	EE5	
Sbrinamento	Sbrinamento	

7.3 Altri malfunzioni e soluzioni (Non mostra sul controllore dei fili elettrici di LED)

Malfunzioni	Fenomeni	Motivi	Soluzioni
La pompa di calore non funziona	Il controllore dei fili elettrici di LED non mostra	Manca la fornitura di power	Controllare se i cavi e l'interruttore magnetotermico sono connessi bene.
	Il controllore dei fili elettrici di LED mostra l'ora effettiva	La pompa di calore sta in stato di prontezza	Avviare a funzionare la pompa di calore
	Il controllore dei fili elettrici di LED mostra la temperatura effettiva dell'acqua	<ol style="list-style-type: none"> 1. La temperatura d'acqua sta giungendo al valore impostato, il componente HP è nello stato di costante temperatura 2. La pompa di calore si avvia appena a funzionare 3. Sta scongelando 	<ol style="list-style-type: none"> 1. Verificare la temperatura impostata dell'acqua 2. Avviare la pompa di calore dopo pochi minuti 3. Il controllore dei fili elettrici di LED deve mostrare "Scongela"
Short running	LED mostra la temperatura effettiva dell'acqua, non c'è errore di codici	<ol style="list-style-type: none"> 1. Il ventilatore non funziona 2. La ventilazione di aria non è sufficiente 3. Le sostanze refrigeranti non sono sufficienti 	<ol style="list-style-type: none"> 1. Controllare le connessioni dei cavi fra il motore e il ventilatore, e sostituirlo se è necessario. 2. Controllare la localizzazione dei componenti della pompa di calore, e eliminare tutti gli ostacoli per fare una buona ventilazione di aria 3 Sostituire o aggiustare i componenti della pompa di calore
Incrostazioni	Incrostazioni sui componenti della pompa di calore	<ol style="list-style-type: none"> 1. Solidificarsi. 2. Perdita d'acqua 	<ol style="list-style-type: none"> 1. Nessuna azione. 2. Controllare lo titanio scambiatore di calore attentamente se c'è qualche difetto
Troppo ghiaccio sull'evaporatore	Troppo ghiaccio sull'evaporatore		<ol style="list-style-type: none"> 1. Controllare la localizzazione dei componenti della pompa di calore, e eliminare tutti gli ostacoli per fare una buona ventilazione di aria 2. Sostituire o aggiustare i componenti della pompa di calore

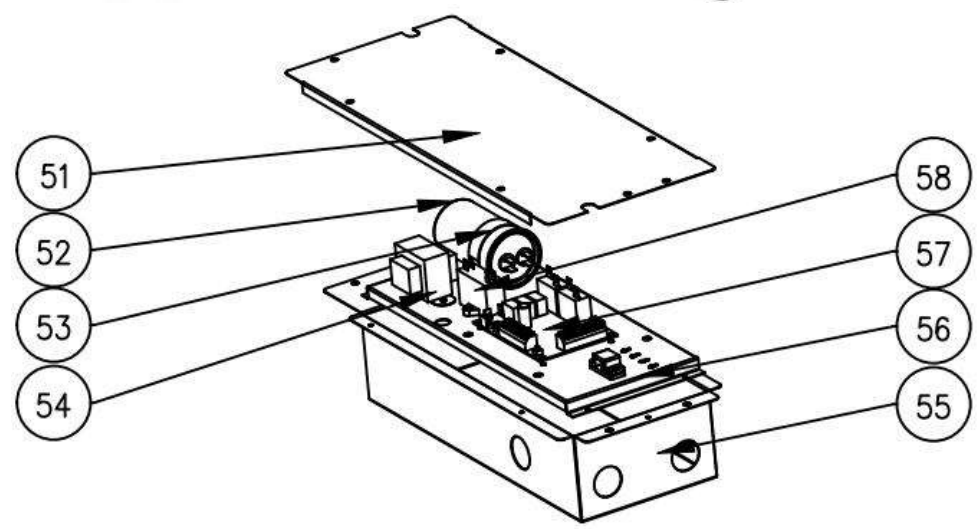
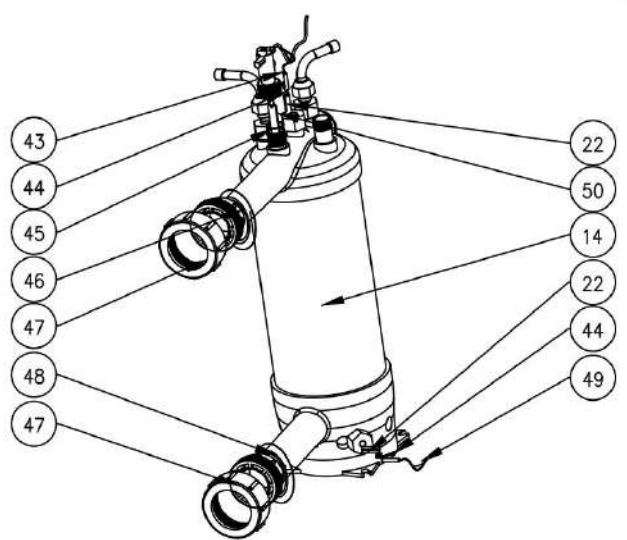
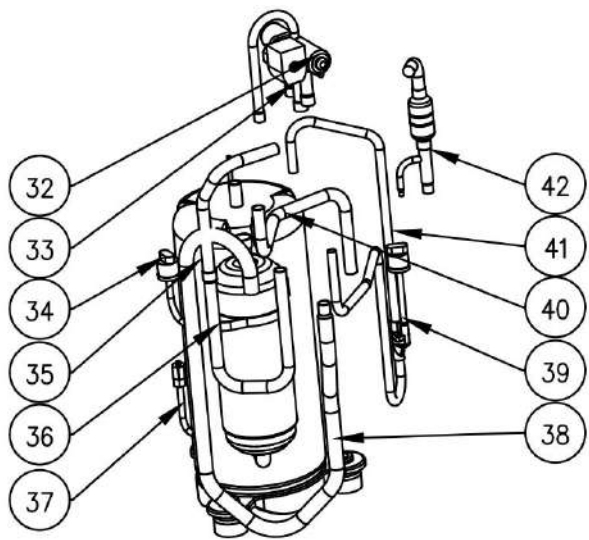
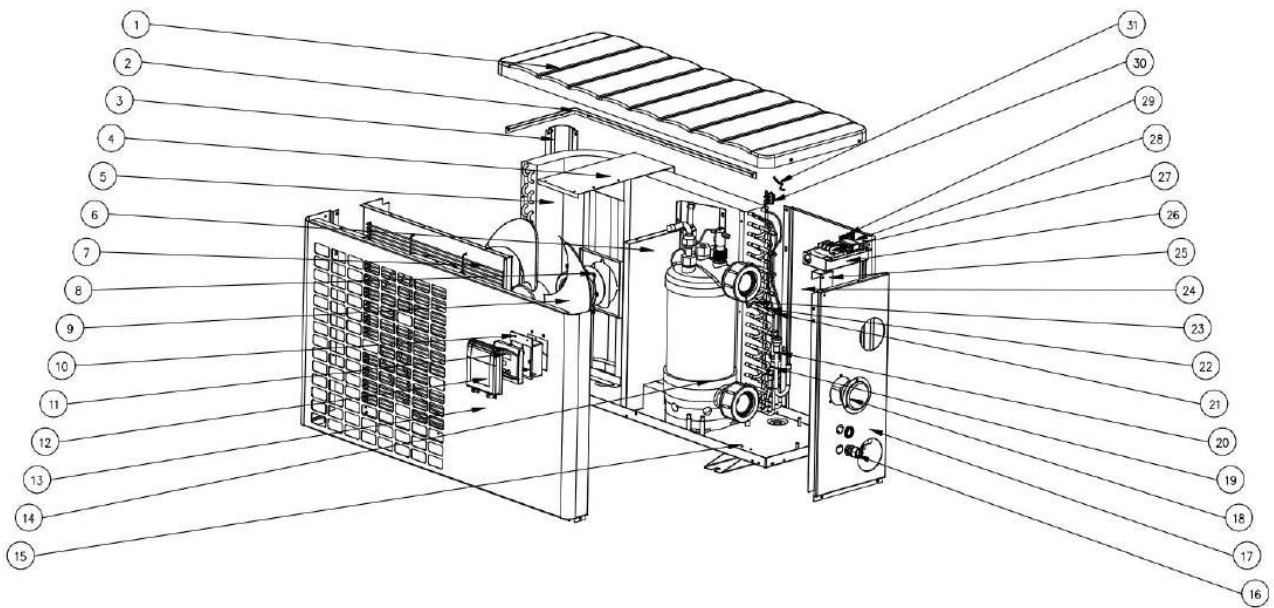
8. Exploded Diagram

Model: FSN05



NO	ERP	Spare parts	NO	ERP	Spare parts
1	133420002	Coperchio superiore	30	113010408	Tubo di scarico
2	108920005	Piastra di supporto elettrica	31	112100030	Mini-pressostato di altra pressione
3	108920011	Colonna	32	113020562	Tubi di ritorno gas
4	108920002	Supporto motoventilatore	33	101000241	Compressore + basi anti-vibrazioni
5	103000250	Evaporatore	34	136020026	Gomma antivibrante
6	112000033	Motoventilatore	35	120000098	Valvola di aspirazione
7	132000001	Pala del ventilatore	36	112100046	Mini-pressostato di bassa pressione
8	108920014	Assemblaggio del pannello frontale	37	113030180	Valvola a 4 vie per scambiatore
9	112200136	Sonda evaporatore T3	38	113060185	Tubo
10	113190007	Sede sonda	39	113090085	Scambiatore a capillare
11	113190001	Clip	40	112200138	Sonda temperatura acqua in uscita T2
12	133030011	Scatola del controller	41	108010025	Clip sonda di temperatura dello scambiatore
13	117020087	controller	42	133020026	Guarnizione di gomma su collegamento per l'acqua
14	113712007	Coperchio del controller	43	112200133	Sonda temperatura acqua entrata T1
15	108920013	Pannello frontale	44	102050005	Set collegamento dell'acqua
16	108920016	Vaschetta base	45	102050005	Collegamento idrico
17	102041042	Scambiatore di calore in titanio	46	133020011	Anello gomma blu
18	110000039	Connettore cavo	47	133020012	Guarnizione di gomma rossa
19	136020134	Guarnizione di gomma	48	112100021	Flussostato dell'acqua
20	106000011	Manometro	49	108020044	Coperchio scatola elettrica
21	103000250	Tubi evaporatore	50	112200064	trasformatore
22	103000250	Tubi di distribuzione	51	108010008	Clip condensatore
23	108920009	Pannello isolante	52	111300013	Compressore condensatore
24	108920012	Pannello laterale	53	111300002	Condensatore ventola
25	108920010	Pannello posteriore	54	108920015	Scatola elettrica
26	112200141	Sonda temp. ambiente T5	55	11220183	PCB
27	133020010	Clip sonda temp. ambiente	56	115000060	Morsetti di connessione
28	121000035	Valvola a 4 vie	57	115000002	Morsetti di connessione
29	121000036	Valvola a quattro vie	58	136010004	Clip per cavo di connessione

Model: FSN-08 / FSN-11



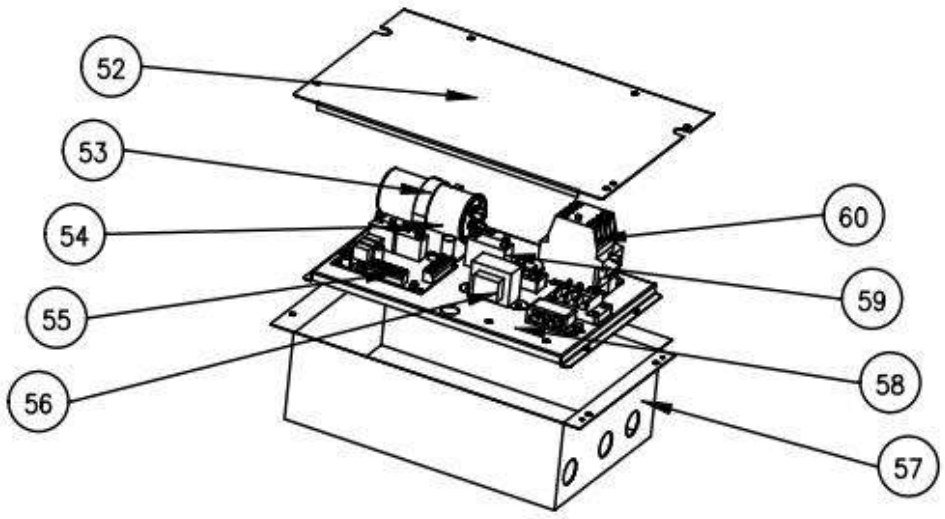
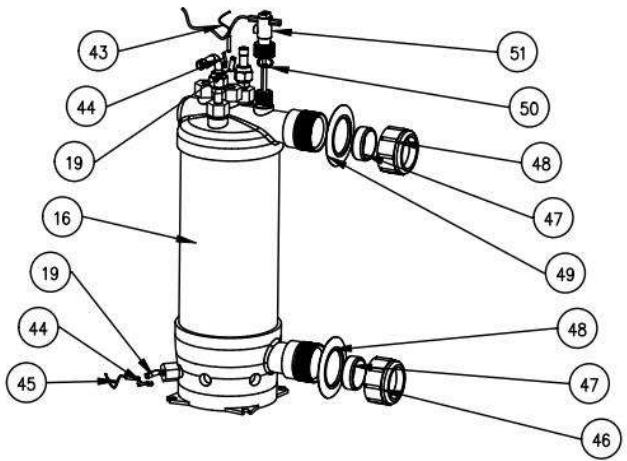
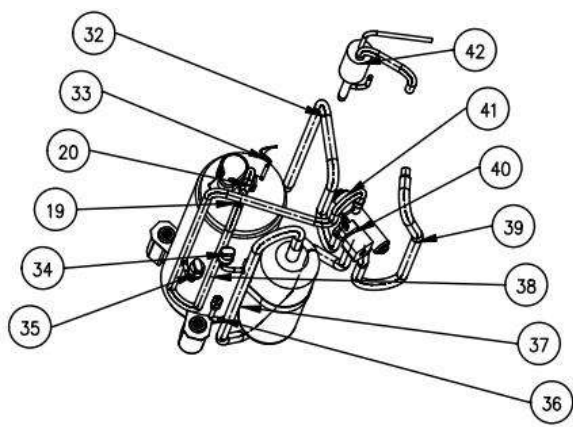
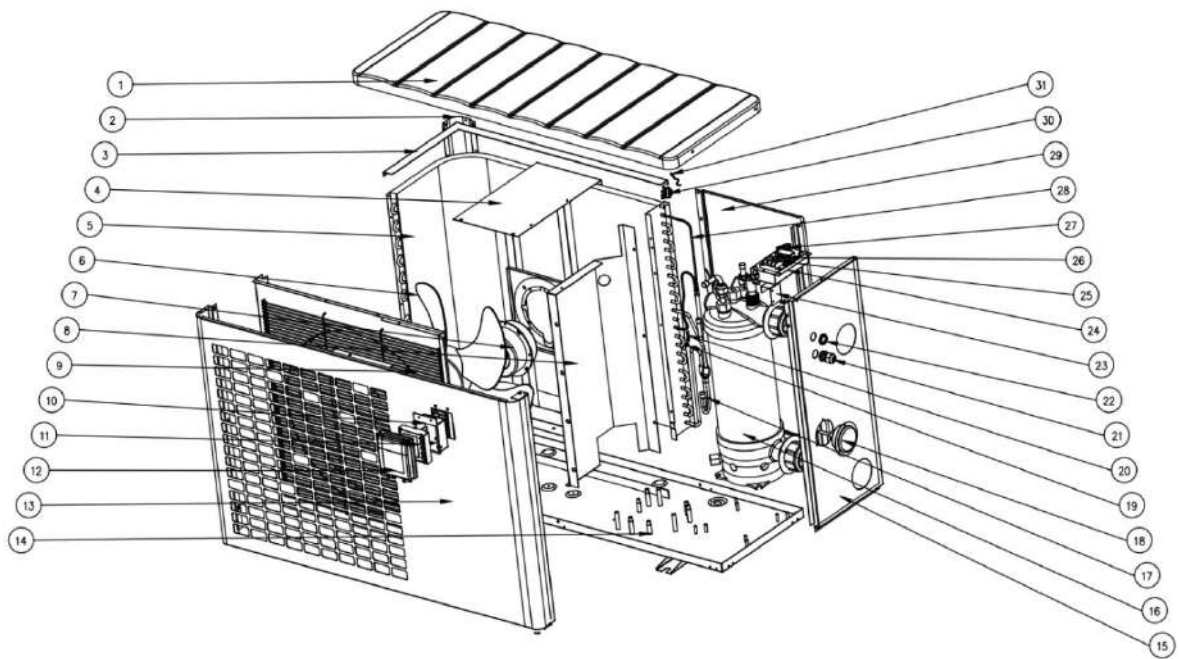
Spare parts list: FSN-08

NO	ERP	Spare parts	NO	ERP	Spare parts
1	133430003	Coperchio superiore	30	133020010	Clip sonda temp. ambiente
2	108900016	Piastra di supporto elettrica	31	112200141	Sonda temp. ambiente T5
3	108900021	Colonna	32	121000034	Valvola a 4 vie
4	108900011	Supporto motoventilatore	33	121000037	Valvola a quattro vie
5	103000311	Evaporatore	34	112100046	Mini-pressostato di bassa pressione
6	108900010	Pannello isolante	35	113030168	Valvola a 4 vie per scambiatore
7	108900024	Assemblaggio del pannello frontale	36	113030169	Valvola a 4 vie per scambiatore
8	112000069	Motoventilatore	37	120000097	Valvola di aspirazione
9	113600007	Pala del ventilatore	38	113020528	Tubi di ritorno gas
10	133030011	Scatola del controller	39	112100030	Mini-pressostato di alta pressione
11	117020087	controller	40	113010379	Tubo di scarico
12	113712007	Coperchio del controller	41	113060174	Tubo
13	108900022	Pannello frontale	42	113090090	Scambiatore a capillare
14	102041049	Scambiatore di calore in titanio	43	112200138	Sonda temperatura acqua in uscita T2
15	108900001	Vaschetta base	44	108010025	Clip sonda di temperatura dello scambiatore
16	110000039	Connettore cavo	45	133020026	Guarnizione di gomma su collegamento per l'acqua
17	108900023	Pannello laterale	46	133020012	Guarnizione di gomma rossa
18	106000011	Manometro	47	102050015	Set collegamento dell'acqua
19	103000311	Tubi evaporatore	48	133020011	Anello gomma blu
20	103000311	Tubi di distribuzione	49	112200133	Sonda temperatura acqua entrata T1
21	113190001	Clip	50	112100021	Flussostato dell'acqua
22	113190007	Sede sonda	51	108140063	Coperchio scatola elettrica
23	112200136	Sonda evaporatore T3	52	111300018	Compressore condensatore
24	108900020	Pannello posteriore	53	108010007	Clip condensatore
25	108900017	Piastra di supporto scatole cablaggio	54	112200064	trasformatore
26	108030240	cablaggio	55	108140061	Scatola elettrica
27	115000002	Morsetti di connessione	56	108140062	Tavola elettrica delle scatole
28	136010004	Clip per cavo di connessione	57	111300002	Condensatore ventola
29	115000060	Morsetti di connessione	58	11220183	PCB

Spare parts list: FSN-11

NO	ERP	Spare parts	NO	ERP	Spare parts
1	133430003	Coperchio superiore	30	133020010	Clip sonda temp. ambiente
2	108900016	Piastra di supporto elettrica	31	112200141	Sonda temp. ambiente T5
3	108900021	Colonna	32	121000034	Valvola a 4 vie
4	108900011	Supporto motoventilatore	33	121000037	Valvola a quattro vie
5	103000310	Evaporatore	34	112100046	Mini-pressostato di bassa pressione
6	108900010	Pannello isolante	35	113030168	Valvola a 4 vie per scambiatore
7	108900024	Assemblaggio del pannello frontale	36	113030169	Valvola a 4 vie per scambiatore
8	112000069	Motoventilatore	37	120000097	Valvola di aspirazione
9	113600007	Pala del ventilatore	38	113020525	Tubi di ritorno gas
10	133030011	Scatola del controller	39	112100030	Mini-pressostato di altra pressione
11	117020087	controller	40	113010377	Tubo di scarico
12	113712007	Coperchio del controller	41	113060173	Tubo
13	108900022	Pannello frontale	42	113090090	Scambiatore a capillare
14	102041050	Scambiatore di calore in titanio	43	112200138	Sonda temperatura acqua in uscita T2
15	108900001	Vaschetta base	44	108010025	Clip sonda di temperatura dello scambiatore
16	110000039	Connettore cavo	45	133020026	Guarnizione di gomma su collegamento per l'acqua
17	108900023	Pannello laterale	46	133020012	Guarnizione di gomma rossa
18	106000011	Manometro	47	102050015	Set collegamento dell'acqua
19	103000310	Tubi evaporatore	48	133020011	Anello gomma blu
20	103000310	Tubi di distribuzione	49	112200133	Sonda temperatura acqua entrata T1
21	113190001	Clip	50	112100021	Flussostato dell'acqua
22	113190007	Sede sonda	51	108140063	Coperchio scatola elettrica
23	112200136	Sonda evaporatore T3	52	111300018	Compressore condensatore
24	108900020	Pannello posteriore	53	108010007	Clip condensatore
25	108900017	Piastra di supporto scatole cablaggio	54	112200064	trasformatore
26	108030240	cablaggio	55	108140061	Scatola elettrica
27	115000002	Morsetti di connessione	56	108140062	Tavola elettrica delle scatole
28	136010004	Clip per cavo di connessione	57	111300002	Condensatore ventola
29	115000060	Morsetti di connessione	58	11220183	PCB

Model: FSN-14 / FSN-17



Spare parts list: FSN-14

NO	ERP	Spare parts	NO	ERP	Spare parts
1	133410002	Coperchio superiore	31	112200141	Sonda temp. ambiente T5
2	108050132	Colonna	32	113060099	Tubo
3	108050208	Piastra di supporto elettrica	33	112200136	Sonda evaporatore T3
4	108050212	Supporto motoventilatore	34	112100030	Manometro
5	103000201	Evaporatore	35	112100046	Mini-pressostato di bassa pressione
6	113600010	Pala del ventilatore	36	120000097	Valvola di aspirazione
7	112000070	Motoventilatore	37	113020392	Tubi di ritorno gas
8	108050211	Pannello isolante	38	113010283	Tubo di scarico
9	108050213	Assemblaggio del pannello frontale	39	113030098	Valvola a 4 vie per scambiatore
10	133030011	Scatola del controller	40	121000037	Valvola a quattro vie
11	117020087	controller	41	121000028	Valvola a 4 vie
12	113712007	Coperchio del controller	42	113090066	Scambiatore a capillare
13	108050214	Pannello frontale	43	112200138	Sonda temperatura acqua in uscita T2
14	108050209	Vaschetta base	44	108010025	Clip sonda di temperatura dello scambiatore
15	108050210	Pannello laterale	45	112200133	Sonda temperatura acqua entrata T1
16	102040994	Scambiatore di calore in titanio	46	102050005	Set collegamento dell'acqua
17	103000201	Tubi evaporatore	47	102050005	Collegamento idrico
18	106000011	Manometro	48	133020011	Anello gomma blu
19	113190001	Clip	49	133020012	Guarnizione di gomma rossa
20	113190007	Sede sonda	50	133020026	Guarnizione di gomma su collegamento per l'acqua
21	110000039	Connettore cavo	51	112100021	Flussostato dell'acqua
22	136020119	Guarnizione di gomma	52	108110011	Coperchio scatola elettrica
23	108050215	Piastra di supporto scatole cablaggio	53	108010007	Clip condensatore
24	108030240	cablaggio	54	111000020	Compressore condensatore
25	115000002	Morsetti di connessione	55	11220182	PCB
26	136010004	Clip per cavo di connessione	56	112200064	trasformatore
27	115000060	Morsetti di connessione	57	108050192	Scatola elettrica
28	103000201	Tubi di distribuzione	58	108050193	Tavola elettrica delle scatole
29	108050195	Pannello posteriore	59	111000006	Condensatore ventola
30	133020010	Clip sonda temp. ambiente	60	104000001	Contactore de corriente alterna

Spare parts list: FSN-17

NO	ERP	Spare parts	NO	ERP	Spare parts
1	133410002	Coperchio superiore	31	112200141	Sonda temp. ambiente T5
2	108050132	Colonna	32	113060099	Tube
3	108050208	Piastra di supporto elettrica	33	112200136	Sonda evaporatore T3
4	108050212	Supporto motoventilatore	34	112100030	Manometro
5	103000202	Evaporatore	35	112100046	Mini-pressostato di bassa pressione
6	113600010	Pala del ventilatore	36	120000097	Valvola di aspirazione
7	112000070	Motoventilatore	37	113020591	Tubi di ritorno gas
8	108050211	Pannello isolante	38	113020632	Tube di scarico
9	108050213	Assemblaggio del pannello frontale	39	113030098	Valvola a 4 vie per scambiatore
10	133030011	Scatola del controller	40	121000037	Valvola a quattro vie
11	117020087	controller	41	121000028	Valvola a 4 vie
12	113712007	Coperchio del controller	42	113090095	Scambiatore a capillare
13	108050214	Pannello frontale	43	112200138	Sonda temperatura acqua in uscita T2
14	108050225	Vaschetta base	44	108010025	Clip sonda di temperatura dello scambiatore
15	108050210	Pannello laterale	45	112200133	Sonda temperatura acqua entrata T1
16	102041068	Scambiatore di calore in titanio	46	102050005	Set collegamento dell'acqua
17	103000202	Tubi evaporatore	47	102050005	Collegamento idrico
18	106000011	Manometro	48	133020011	Anello gomma blu
19	113190001	Clip	49	133020012	Guarnizione di gomma rossa
20	113190007	Sede sonda	50	133020026	Guarnizione di gomma su collegamento per l'acqua
21	110000039	Connettore cavo	51	112100021	Flussostato dell'acqua
22	136020119	Guarnizione di gomma	52	108110011	Coperchio scatola elettrica
23	108050215	Piastra di supporto scatole cablaggio	53	108010007	Clip condensatore
24	108030240	cablaggio	54	111000020	Compressore condensatore
25	115000002	Morsetti di connessione	55	11220182	PCB
26	136010004	Clip per cavo di connessione	56	112200064	trasformatore
27	115000060	Morsetti di connessione	57	108050192	Scatola elettrica
28	103000202	Tubi di distribuzione	58	108050193	Tavola elettrica delle scatole
29	108050195	Pannello posteriore	59	111000006	Condensatore ventola
30	133020010	Clip sonda temp. ambiente	60	104000001	Contactore de corrente alterna

9. Manutenzione

Avvertimento !

-Prima di qualsiasi intervento di manutenzione sull'elettrodomestico, è necessario interrompere l'alimentazione elettrica poiché esiste il rischio di scosse elettriche che possono causare danni materiali, lesioni gravi o addirittura la morte.

- Si consiglia di sottoporre l'apparecchiatura a una manutenzione generale almeno annuale per garantirne il corretto funzionamento, mantenerne le prestazioni ed evitare possibili guasti, queste operazioni vengono eseguite a spese dell'utente, da un tecnico qualificato. eseguito da un tecnico qualificato.

-per la manutenzione che deve essere eseguita da un tecnico qualificato, si prega di leggere le istruzioni di sicurezza nelle pagine precedenti riportate nel capitolo "manutenzione: avvertenze riguardanti apparecchi contenenti refrigerante R32" prima di eseguire una qualsiasi delle operazioni di manutenzione descritte di seguito.

(1) Dovete controllare il sistema della fornitura d'acqua regolarmente per evitare l'aria di entrare al sistema e l'avvenimento del basso flusso d'acqua, perché questi fenomeni diminuiscono l'adempimento e l'affidabilità del componente di HP.

(2) Pulite regolarmente le vostre piscine e i sistemi di filtrazione per evitare i danneggiamenti dei componenti, come il filtro bloccato a causa di sporcizia.

(3) Solo i tecnici qualificati di servizio sono permessi di operare la pressione del sistema di refrigerazione.

(4) Dovete scaricare acqua dalla pompa d'acqua e dagli altri sistemi d'acqua, al fine di evitare dai danneggiamenti di congelamento in inverno.

(5) Se il componente di HP smette di funzionare da lungo, dovete scaricare acqua dal fondo della pompa d'acqua. In un altro modo, dovete controllare i componenti interamente e riempire il sistema prima che i componenti iniziano ad avviarsi di nuovo

(6) Pressione R32 e tabella di mappatura della temperatura

Condizione	Spegni			
	meno 5-5 °C	5-15 °C	15-25 °C	25-35°C
Temperatura ambiente	meno 5-5 °C	5-15 °C	15-25 °C	25-35°C
Temperatura dell'acqua	/	/	/	/
Lettura Manometro	0.68-0.93 MPa	0.93-1.25 MPa	1.25-1.64 MPa	1.64-2.1 MPa

Condizione	Running (Riscaldamento)				
	/	/	/	/	/
Temperatura ambiente	/	/	/	/	/
Temperatura dell'acqua	10-15°C	15-20°C	20-25°C	25-30°C	30-35°C
Lettura Manometro	1.3-1.8 MPa	1.5-1.9 MPa	1.6-2.3 MPa	1.9-2.8 MPa	2.1-3.5 MPa

(7) Si prega di svuotare sempre l'acqua della pompa di calore durante il periodo invernale o quando la temperatura ambiente scende al di sotto di 0 °C, altrimenti lo scambiatore in Titanio verrà danneggiato a causa del congelamento, in tal caso la garanzia verrà persa.

WAARSCHUWINGEN

	<p>Dit symbool geeft aan dat er informatie beschikbaar is, zoals de Bedieningshandleiding of de Installatiehandleiding.</p>		<p>Dit symbool geeft aan dat er in dit apparaat R32 wordt gebruikt, een koelmiddel met lage verbrandingsnelheid.</p>
	<p>Dit symbool geeft aan dat de Gebruikershandleiding vooraf zorgvuldig moet worden gelezen.</p>		<p>Dit symbool geeft aan dat de persoonlijke servicedienst deze apparatuur moet behandelen zoals aangegeven in de Installatiehandleiding.</p>

ALGEMENE WAARSCHUWINGEN

- Het negeren van de waarschuwingen kan leiden tot schade aan de zwembadinstallatie of tot ernstig letsel, en kan zelfs de dood tot gevolg hebben.
- Alleen een vakman op het gebied van de betreffende technische vakgebieden (elektriciteit, hydraulica of koeltechnieken) is bevoegd onderhoud of reparaties uit te voeren aan het apparaat. De gekwalificeerde technicus die werkzaamheden op het apparaat uitvoert, moet persoonlijke beschermingsmiddelen gebruiken / dragen (zoals een veiligheidsbril, handschoenen, etc...) om het risico op verwondingen te voorkomen tijdens werkzaamheden op het apparaat.
- Controleer vóór het uitvoeren van ongeacht welke werkzaamheden of de stroom uitgeschakeld is en de toegang tot het apparaat vergrendeld is.
- Dit apparaat is niet bestemd voor een gebruik door personen (inclusief kinderen) waarvan de lichamelijke, zintuiglijke of geestelijke vermogens verminderd zijn of door personen zonder enige ervaring en kennis, tenzij:
zij via een voor hun veiligheid verantwoordelijke persoon onder toezicht staan of van tevoren instructies hebben ontvangen betreffende het gebruik van het apparaat;
en zij de mogelijke gevaren begrijpen.
- Kinderen moeten onder toezicht staan, om te voorkomen dat zij niet met het apparaat spelen.
- Het apparaat moet worden geïnstalleerd volgens de instructies van de fabrikant en met respect voor de heersende lokale en nationale normen. De installateur is verantwoordelijk voor het installeren van het apparaat en de naleving van de nationale regelgeving met betrekking tot de installatie. De fabrikant kan in geen geval aansprakelijk worden gesteld wanneer de ter plaatse geldende installatienormen niet worden gerespecteerd.
- Voor alle andere tussenkomsten dan het eenvoudig gebruikersonderhoud zoals beschreven in deze handleiding, moet het product worden onderhouden door een vakman.
- Elke slechte installatie en/of verkeerd gebruik kan leiden tot ernstige materiële schade of lichamelijke letsels (die tot de dood kunnen leiden).
- Raadpleeg de garantievoorwaarden voor de gegevens van de toegelaten evenwichtsvoorwaarden van het water voor de werking van het apparaat.
- Elke deactivering, verwijdering of ontwijking van een van de ingebouwde beveiligingselementen in het apparaat doet automatisch de garantie vervallen, evenals het gebruik van vervangende onderdelen afkomstig van een niet-geautoriseerde derde fabrikant.

- Spuit geen insecticide of andere chemische producten (al dan niet brandbaar) in de richting van het apparaat, dit kan de behuizing beschadigen en brand veroorzaken.
- Raak de ventilator en de bewegende delen niet aan en houd voorwerpen en uw vingers uit de buurt van de bewegende delen tijdens de werking van het apparaat. De bewegende delen kunnen ernstig en zelfs dodelijk letsel tot gevolg hebben.
- Bewaar de display-controller in een droge ruimte of sluit de isolatiekap goed om te voorkomen dat de display-controller wordt beschadigd door vocht.

WAARSCHUWINGEN MET BETREKKING TOT ELEKTRISCHE APPARATEN

- De elektrische voeding van het apparaat moet worden beschermd door een speciale aardlekbeveiliging (RCD) van 30 mA conform de normen van het land waar het geïnstalleerd wordt.
- Een aangepaste scheidingsmethode die voldoet aan alle lokale en nationale regelgeving voor overspanning van categorie III, die alle polen van het voedingscircuit snijdt, moet worden geïnstalleerd in het voedingscircuit van het apparaat. Deze scheidingsmethode wordt niet meegeleverd met het apparaat en moet door de installateur worden geleverd.
- Controleer vóór alle werkzaamheden dat:

De spanning, aangegeven op het kenplaatje van het apparaat overeenkomt met deze van het net, het voedingsnet geschikt is voor het gebruik van dit apparaat, en beschikt over een stopcontact met aarding, of de stekker (indien aanwezig) is aangepast aan het stopcontact.

- Een apparaat in bedrijf niet loskoppelen en opnieuw aansluiten.
- Niet aan de voedingskabel trekken om deze los te koppelen.
- Indien de voedingskabel beschadigd raakt, moet deze worden vervangen door de fabrikant, zijn servicedienst of een gekwalificeerd technicus, om de veiligheid te garanderen.
- Geen onderhoud of een servicebeurt uitvoeren aan het apparaat met vochtige handen of wanneer het apparaat vochtig is.
- Alvorens het apparaat aan te sluiten op de voedingsbron verifiëren of het aansluitblok of het stopcontact waar het apparaat op zal worden aangesloten, in goede staat verkeert en niet beschadigd of verroest is.
- Haal bij onweerachtig weer de stekker van het apparaat uit het stopcontact om te voorkomen dat dit wordt beschadigd door de bliksem.

Dompel het apparaat niet onder in water modder ;

WAARSCHUWINGEN VOOR APPARATEN DIE EEN KOELMIDDELEN BEVATTEN

- Het R32-koelmiddel is een koelmiddel van categorie A2L, dat wordt beschouwd als potentieel ontvlambaar.
- Het fluïdum R32 niet afblazen in de atmosfeer. Deze vloeistof is een gefluoreerd broeikasgas, dat valt onder het Protocol van Kyoto, met een potentiële bijdrage aan de globale opwarming (GWP) = 675 voor R32 (zie Europese reglementering EG 517/2014).
- Het apparaat moet worden opgeslagen in een goed verluchte ruimte uit de buurt van bronnen van vlammen.
- Installeer het apparaat buiten. Installeer het apparaat niet binnenshuis of in een afgesloten en niet-geventileerde ruimte buiten.
- Probeer niet op andere wijze dan deze aanbevolen door de fabrikant het ontdooi- of reinigingsproces te versnellen.
- Het apparaat moet worden opgeslagen in een ruimte zonder vonkenbron die constant in werking is (bijv. een gasapparaat of elektrische verwarming in werking).
- Niet doorboren of verbranden.
- Merk op dat het R32-koelmiddel een geur kan verspreiden.
- Om te voldoen aan de relevante milieu- en installatienormen, in het bijzonder aan decreet nr. 2015-1790 en / of de EU-reglementering 517/2014, moet minstens eenmaal per jaar een lektest worden uitgevoerd op het koelcircuit. Deze bewerking moet worden uitgevoerd door een gecertificeerde specialist in koelsystemen.
- Bewaar de displaycontroller in een droge ruimte of sluit de isolatiekap goed om te voorkomen dat de

displaycontroller door vocht wordt beschadigd.

ONDERHOUD: WAARSCHUWINGEN VOOR APPARATEN DIE R32-KOELMIDDELEN BEVATTEN

- Tijdens de onderhoudsfase van het apparaat, dienen de samenstelling en de staat van de warmtegeleidende vloeistof gecontroleerd te worden en dienen eventuele sporen van koelvloeistof opgespoord te worden.
- Tijdens de jaarlijkse controle dient in overeenstemming met de van kracht zijnde wetgeving de afdichting van het apparaat, de juiste aansluiting van de hoge en lage drukregelaars op het koelcircuit en de onderbreking van het elektrisch circuit in geval van activering gecontroleerd te worden.
- Tijdens de onderhoudsfase dient men te controleren of er geen sporen zijn van corrosie of olievlekken rond de koelcomponenten.
- De buis niet solderen of lassen als er koelmiddel in de machine zit. Laad het gas niet op in een afgesloten ruimte.

Controle van de zone

- Bij werkzaamheden aan systemen met ontvlambare koelmiddelen zijn veiligheidscontroles noodzakelijk om het risico op vonkvorming te reduceren.

Werkprocedure

- De werkzaamheden moeten worden uitgevoerd met een controleprocedure om het risico op het vrijkomen van ontvlambaar gas of damp bij de werkzaamheden te reduceren.
- Voorafgaand aan welke werkzaamheden ook aan het koelcircuit, dient men het apparaat verplicht uit te schakelen en enkele minuten te wachten alvorens temperatuur- of drukmeters aan te brengen, omdat bepaalde onderdelen, zoals de compressor en de leidingen, temperaturen van meer dan 100°C kunnen bereiken en de hoge drukken ernstige brandwonden kunnen veroorzaken.

Algemene werkzone

- Alle onderhoudspersoneel en andere personen die werken in de directe omgeving moeten worden geïnformeerd over de uit te voeren werkzaamheden. Werkzaamheden in besloten ruimtes moet worden vermeden.

Controle van de aanwezigheid van koelmiddel

- De zone moet vóór en tijdens de werkzaamheden met behulp een geschikte koelmiddeldetector worden gecontroleerd, zodat de technicus geïnformeerd wordt over de mogelijk toxiciteit en ontvlambaarheid van de lucht. Verifieer dat de gebruikte koelmiddeldetector geschikt is voor het gebruik met de betreffende koelmiddelen, d.w.z. dat deze geen vonken kan veroorzaken, correct geïsoleerd en perfect veilig is.

Aanwezigheid van een brandblusser

- Als werkzaamheden bij hoge temperatuur op het koelapparaat of aanliggende onderdelen moeten worden uitgevoerd, moet een geschikte brandblusser zich binnen handbereik bevinden. Plaats een poeder- of CO₂-brandblusser in de buurt van de werkzone.

Afwezigheid van een ontstekingsbron

- Er mag geen enkele vonkbron worden gebruikt bij werkzaamheden aan een koelsysteem waarbij diens leidingen worden blootgelegd. Alle mogelijke bronnen van vonken, inclusief een sigaret, moeten zich op voldoende afstand bevinden van de installatiezone, reparatie, verwijdering of eliminatie wanneer koelmiddel kan vrijkomen in de omgeving. Voorafgaand aan de werkzaamheden moet de zone rond de apparatuur worden bekeken om te verzekeren dat er geen brandgevaar of gevaar voor vonken aanwezig is. Bordjes met "Niet roken" moeten worden aangebracht.

Ventilatie van de zone

- U moet zorgen dat de zone voldoende open en verlucht is voordat u toegang heeft tot de installatie. Tijdens het onderhoud van het apparaat moet een correcte verluchting worden aangehouden voor een veilige verspreiding van accidenteel in de lucht vrijgekomen koelmiddel.

Controle van de koelapparatuur

- De aanbevelingen voor onderhoud en service van de fabrikant moeten altijd worden opgevolgd. Gebruik bij het vervangen van elektrische componenten enkel componenten die van hetzelfde type en van de dezelfde kwaliteit zijn, zoals aanbevolen / goedgekeurd door de fabrikant. Raadpleeg bij twijfel de technische service van de fabrikant voor assistentie.

- De volgende controles moeten worden uitgevoerd op installaties die gebruik maken van ontvlambare koelmiddelen:

de markeringen op de apparatuur moeten zichtbaar en leesbaar blijven, alle nietleesbare markeringen en signaleringen moeten worden hersteld;

de koelmiddelleidingen of -componenten moeten zodanig worden geïnstalleerd dat het onwaarschijnlijk is dat ze worden blootgesteld aan substanties die koelmiddel bevattende componenten kunnen aantasten, behalve indien deze componenten zijn gemaakt van materialen die normaal bestand zijn tegen corrosie of daartegen afdoende zijn beschermd.

Controle van elektrische componenten

- De reparatie en het onderhoud van elektrische componenten moet in eerste instantie veiligheidscontroles en inspectieprocedures van de componenten omvatten. Als er een storing optreedt die de veiligheid in gevaar kan brengen, mag het circuit niet onderspanning worden gesteld zolang deze storing niet volledig is verholpen. Als de storing niet onmiddellijk kan worden verholpen, en de werkzaamheden moeten worden voortgezet, moet een geschikte tijdelijke oplossing worden gevonden. De eigenaar van de apparatuur moet hierover worden geïnformeerd zodat alle betrokken personen op de hoogte worden gesteld.

- De reparatie en het onderhoud van elektrische componenten moet in eerste instantie de volgende veiligheidscontroles omvatten:

de condensatoren moeten worden ontladen: dit moet gebeuren op veilige wijzen zonder vonkvorming te veroorzaken;

er mag geen enkele elektrische component of elektrische bedrading blootgesteld worden tijdens het laden, het herstellen of het aflaten van het systeem;

de aardverbinding moet continu aanwezig zijn.

Reparaties van geïsoleerde componenten

- Bij reparaties aan geïsoleerde componenten moeten alle elektrische voedingen worden ontkoppeld van de apparatuur waarop werkzaamheden worden uitgevoerd, en dit vóór het verwijderen van de isolerende kappen. Als de apparatuur toch om dwingende redenen tijdens de reparaties elektrisch moet worden gevoed, moet een continu werkend lekdetectieapparaat worden aangebracht op het meest kritieke punt om een mogelijk gevaarlijke situatie te signaleren.

- Er moet bijzondere aandacht worden besteed aan de volgende punten om ervoor te zorgen dat bij het werken aan elektrische componenten de behuizing niet wordt gewijzigd wat het beschermingsniveau zou kunnen aantasten. Dit moet het volgende omvatten: beschadigde kabels, een te groot aantal verbindingen, klemmen die niet voldoen aan de oorspronkelijke specificaties, een niet-correcte installatie van de kabelwartels, etc.

- Verzeker u ervan dat het apparaat correct bevestigd is.

- Controleer of de dichtingen of isolatiematerialen niet zijn aangetast zodanig dat ze niet langer het binnendringen van een explosieve atmosfeer in het circuit zouden verhinderen. De reserve-onderdelen moeten voldoen aan de specificaties van de fabrikant.

Reparatie van intrinsiek veilige componenten

- Indien een permanente elektrische inductie- of capaciteitsbelasting wordt aangebracht, moet worden gecontroleerd of deze niet de toegestane spanning en stroom van de apparatuur overschrijdt tijdens het gebruik.
- Normaal veilige componenten zijn de enige types waarbij het mogelijk is om te werken in de aanwezigheid van een ontvlambare atmosfeer wanneer deze worden gevoed. Het testapparaat moet tot de correcte klasse behoren.
- Vervang componenten alleen door onderdelen die door de fabrikant zijn gespecificeerd. Andere onderdelen kunnen het koelmiddel ontsteken bij een lek.

Bekabeling

- Controleer of de bedrading geen slijtage, corrosie, overmatige druk, trillingen, schade door scherpe randen of andere nadelige omgevingsinvloeden vertonen. De controle moet ook rekening houden met de effecten van veroudering of continue trillingen veroorzaakt door bronnen zoals compressoren of ventilatoren.

Detectie van brandbaar koelmiddel

- Potentiële bronnen van vonken mogen nooit worden gebruikt voor het opsporen of detecteren van koelmiddellekken. Een halidelamp (of een andere detector met een open vlam) mag niet worden gebruikt.
- De volgende lekdetectiemethoden worden aanvaardbaar geacht voor alle koelsystemen.
- Elektronische lekdetectoren kunnen worden gebruikt om koelmiddellekken te detecteren, maar bij brandbaar koelmiddel is de gevoeligheid mogelijk niet voldoende of moet de kalibratie opnieuw worden uitgevoerd. (De detectieapparatuur moet worden gekalibreerd op een plaats waar geen koelmiddel aanwezig is). Verzeker u ervan dat de detector geen potentiële vonkbron is en aangepast is aan het gebruikte koelmiddel. De lekdetectieapparatuur moet worden ingesteld op een percentage van het koelmiddel-LFL en moet worden gekalibreerd voor het gebruikte koelmiddel. Het juiste percentage gas (maximaal 25%) moet worden bevestigd.
- Lekdetectievloeistoffen zijn ook geschikt voor het gebruik met de meeste koelmiddelen, het gebruik van chloorhoudende detergent daarentegen moet worden vermeden omdat dit kan reageren met het koelmiddel en de koperen leidingen kan aantasten.
- Als er een vermoeden van een lek is, moeten alle open vlammen worden verwijderd / gedoofd.
- Bij het detecteren van een koelmiddellek en als solderen noodzakelijk is, moet al het koelmiddel uit het systeem worden afgelaten of geïsoleerd (met afsluitkleppen) in een deel van het systeem dat verwijderd is van het lek.

Verwijdering en afvoeren

- Bij toegang tot het koelmiddelcircuit om reparaties uit te voeren, of om andere redenen, moeten conventionele procedures worden gebruikt. Bij ontvlambare koelmiddelen is het echter essentieel om de aanbevelingen op te volgen omdat rekening moet worden gehouden met de ontvlambaarheid. De volgende procedure moet worden gevolgd:
verwijder het koelmiddel;
laat het circuit af met een inert gas (optioneel voor A2L);
afvoeren (optioneel voor A2L);
spoelen met een inert gas (optioneel voor A2L);
open het circuit door afzagen of lossolderen.
- De koelmiddevulling moet worden gerecupereerd in geschikte recuperatiecilinders. Bij apparaten die andere ontvlambare koelmiddelen bevatten dan A2L-koelmiddelen moet het systeem worden gespoeld met stikstofgas zonder zuurstof om de apparatuur geschikt te maken voor brandbare koelmiddelen. Het kan noodzakelijk zijn om dit proces meerdere keren te herhalen. Perslucht of zuurstofgas mogen niet worden gebruikt om koelsystemen te spoelen.

Vulprocedure

- Controleer dat de vacuümpompuitlaat zich niet in de buurt bevindt van een mogelijke bron van vonken en dat er verluchting is.

- Naast de conventionele vulprocedures moet aan de volgende eisen worden voldaan.

Verzekert dat er bij het gebruik van een vulsysteem geen verontreiniging mogelijk is tussen verschillende koelmiddelen. De slangen of leidingen moeten zo kort mogelijk zijn om de hoeveelheid koelmiddel die ze bevatten zo beperkt mogelijk te houden.

De cilinders moeten in de juiste positie worden gehouden conform de instructies.

Zorg ervoor dat het koelsysteem geaard is voordat het vullen met koelmiddel gebeurt.

Label het systeem na het vullen (indien dit nog niet zou zijn gedaan).

Let er vooral op het koelsysteem niet te overvullen.

- Vooraleer het systeem opnieuw te vullen, moet een druktest worden uitgevoerd met het juiste spoelgas. Het systeem moet worden gecontroleerd op lekkage na het vullen en voor de indienststelling. Voer een opvolglektest uit voordat de locatie wordt verlaten.

Ontmanteling

- Vooraleer een ontmantelingsprocedure uit te voeren, moet de technicus goed bekend zijn met de apparatuur en diens kenmerken. Wij bevelen sterk aan om met zorg alle koelmiddel volledig te recupereren. Voorafgaand aan het uitvoeren van deze taak moet een monster van de olie en het koelmiddel worden genomen voor het geval van een hergebruik van het gerecupereerde koelmiddel. Het is noodzakelijk om de aanwezigheid van een stroomvoorziening te controleren vóór het uitvoeren van deze taak.

1. Maak u vertrouwd met de apparatuur en diens werking.

2. Isoleer het systeem elektrisch.

3. Voordat u de procedure start, moet u ervoor zorgen dat:

er een mechanische behandelingsysteem aanwezig is als de koelmiddelcilinders moeten worden gemanipuleerd;

alle persoonlijke beschermingsmiddelen beschikbaar zijn en correct worden gebruikt;

het recuperatieproces voortdurend wordt opgevolgd door een bevoegd persoon;

de apparatuur en de recuperatiecilinders voldoen aan de relevante normen.

4. Laat het koelsysteem af, indien mogelijk.

5. Als er geen vacuüm kan worden gecreëerd, breng dan een opvangsysteem aan zodat het koelmiddel kan worden verwijderd vanaf verschillende punten op het systeem.

6. Zorg dat de fles op de weegschaal staat voordat u begint met de recuperatieprocedure.

7. Start de recuperatiemachine en laat deze werken conform de instructies.

8. Overvul de flessen niet (met niet meer dan 80% van het vulvolume van de vloeistof).

9. Overschrijd de maximale werkingsdruk van de cilinder niet, zelfs niet tijdelijk.

10. Wanneer de cilinders correct zijn gevuld en de procedure is voltooid, zorg er dan voor dat de cilinders en apparatuur snel van de locatie worden verwijderd en dat de alternatieve afsluitkleppen op de apparatuur worden gesloten.

11. Het gerecupereerd koelmiddel mag niet in een ander koelsysteem worden gebruikt zonder voorafgaand te zuiveren en te controleren.

STORINGOPLOSSING

- Soldeerwerkzaamheden dienen uitgevoerd te worden door erkende soldeerspecialisten.

- Voor de vervanging van de leidingen mag uitsluitend gebruik gemaakt worden van koperen buizen overeenkomstig de norm NF EN 12735-1.

- Detectie van lekken, testen onder druk:

nooit droge zuurstof of lucht gebruiken, gevaar voor brand of ontploffingen,

gedehydrerde stikstof of een mengsel van stikstof en het op het typeplaatje aangegeven koelmiddel gebruiken.

de druk van de test aan de lage en hoge druk zijde mag niet hoger zijn dan 42 bar in het geval apparaat is

voorzien van de optie manometer.

- Voor leidingen van het hogedrukircuit uitgevoerd met een koperen buis van een diameter gelijk aan of meer dan 1''5/8, dient een certificaat §2.1 overeenkomstig de norm NF EN 10204 aangevraagd te worden bij de leverancier en dat aan het technisch installatiedossier toegevoegd dient te worden.
- De technische informatie met betrekking tot de veiligheidseisen van de verschillende toegepaste richtlijnen staan aangegeven op het typeplaatje. Al deze informatie dient geregistreerd te worden in de installatiehandleiding van het toestel die deel uit dient te maken van het technische installatiedossier: model, code, serienummer, max. en min. TS, PS, fabricatiejaar, CE-markering, adres van de fabrikant, koelvloeistof en gewicht, elektrische instellingen, thermodynamische en akoestische prestaties.

LABELING

- De apparatuur moet worden geëtiketteerd om aan te geven dat deze buiten gebruik is gesteld en dat het koelmiddel is afgelaten.
- Het label moet worden gedateerd en ondertekend.
- Let er bij apparaten die een ontvlambaar koelmiddel bevatten op dat etiketten op het apparaat zijn aangebracht die aangeven dat het ontvlambaar koelmiddel bevat.

RECUPERATIE

- Tijdens het afdalen van koelmiddel voor onderhoud of buitenbedrijfstelling wordt aanbevolen om de goede praktijken op te volgen voor het veilig en volledig afdalen van koelmiddel.
- Gebruik bij het overbrengen van koelmiddel naar de cilinder een recuperatiecilinder geschikt voor het koelmiddel. Verzeker u ervan dat u over het juiste aantal cilinders beschikt om de vloeistof volledig te recupereren. Alle gebruikte cilinders moeten ontworpen zijn voor het recuperen van koelmiddel en moeten een etiket dragen voor het betreffende koelmiddel. De cilinders moeten uitgerust zijn met een vacuümklep en beschikken over afsluitkleppen die goed werken. De lege recuperatiecilinders worden leeggezogen en, indien mogelijk, gekoeld vóór het recuperatieproces.
- De recuperatie-apparatuur moet in goede werkingsstaat verkeren, de gebruiksaanwijzing van de apparatuur moet binnen handbereik zijn en de apparatuur moet geschikt zijn voor het koelmiddel, indien van toepassing, evenals voor ontvlambaar koelmiddel. Daarnaast moet een set gekalibreerde weegschalen beschikbaar zijn. Deze moeten in goede werkingsstaat verkeren. De slangen moeten volledig zijn, mogen geen lekken of losse verbindingen hebben, en moeten in goede staat zijn. Controleer voordat u de recuperatiemachine gebruikt of deze in goede staat verkeert, en goed is onderhouden en of de bijbehorende elektrische componenten dicht zijn om te voorkomen dat er brand ontstaat bij het vrijkomen van koelmiddel. Raadpleeg bij twijfel de fabrikant.
- Het gerecupereerde koelmiddel moet worden teruggestuurd naar de koelmiddelleverancier in een recuperatiecilinder, met een afvaloverdrachtsbrief Meng geen verschillende koelmiddelen in de recuperatiesystemen, en vooral niet in de cilinders.
- Na het demonteren van de compressor of het afdalen van de compressorolie, controleren of het koelmiddel volledig is verwijderd om te vermijden dat het zich met het smeermiddel zou mengen. Het afdalproces moet worden uitgevoerd voordat de compressor naar de leverancier wordt terug gestuurd. Enkel de elektrische verwarming van het compressorlichaam kan worden gebruikt om dit proces te versnellen. Het afdalen van de vloeistoffen in een systeem moet op volledig veilige wijze gebeuren.



RECYCLING

Dit symbool wordt opgelegd door de Europese AEEA-richtlijn 2012/19/EU (richtlijn betreffende afgedankte elektrische en elektronische apparatuur) en betekent dat uw apparaat niet met het huisvuil mag worden weggegooid. Dit moet selectief worden verwerkt voor hergebruik, recycling of herstelling. Als het apparaat mogelijk milieugevaarlijke stoffen bevat, dan moeten deze verwijderd of geneutraliseerd worden. Vraag uw dealer om informatie over de wijze van recycling.

FSN ON/OFF -5°C

Gebruikers- en servicehandleiding

INDEX

1. Specificaties
2. Dimensie
3. Installatie en Aansluiting
4. Accessoires
5. Elektrische Bedrading
6. Display Controller Werking
7. Problemen Oplossen
8. Geëxplodeerd Diagram
9. Onderhoud

Dank u voor het gebruiken van onze zwembad warmtepomp voor de verwarming van uw zwembad, het zal het water van uw zwembad verwarmen en een constante temperatuur behouden wanneer de omgevingstemperatuur ongeveer tussen -5 en 43 °C ligt.



LET OP: deze gebruiksaanwijzing bevat alle nodige informatie voor het normaal gebruik van de warmtepomp, lees alstublieft de onderhouds gebruiksaanwijzing toegevoegd bij dit product, Installatie en handleiding.

De installateur dient de handleiding zorgvuldig te lezen en de instructies strikt op te volgen, zowel tijdens implementatie als onderhoud. Geef deze handleiding door voor later tijdens de gehele levensduur van het apparaat.

De installateur is verantwoordelijk voor het installeren van het product en dient alle instructies van de fabrikant en alle voorschriften in de applicaties op te volgen. Bij een onjuiste installatie tegen de instructies in de handleiding vervalt de garantie.

De fabrikant wijst elke verantwoordelijkheid af voor schade veroorzaakt door mensen, voorwerpen of fouten die het gevolg zijn van het niet opvolgen van de instructies in de handleiding. Elk gebruik dat tijdens de productie niet was bedoeld, wordt als gevaarlijk geclassificeerd.

1. Specificaties

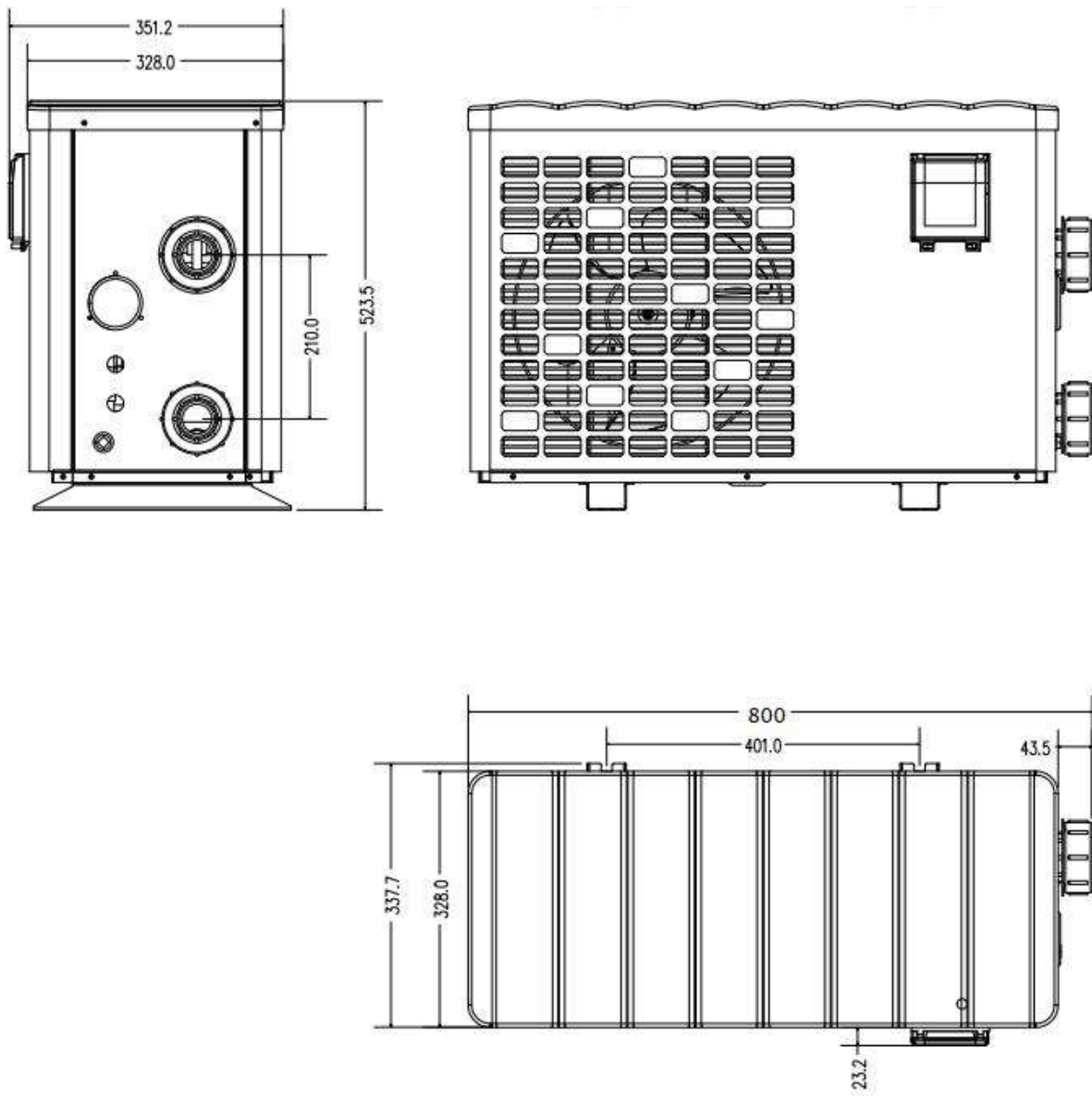
1.1 Technische gegevens

Model		74143	74144	74145	74146	74147
Code		FSN-05	FSN-08	FSN-11	FSN-14	FSN-17
* Prestaties bij lucht 28 °C, water 28 °C, Humedad 80%						
Verwarmingscapaciteit	kW	5	7.5	11	14	16.5
Energieverbruik	kW	1	1.4	2.2	2.6	2.9
COP		5	5.4	5	5.4	5.7
* Prestaties bij lucht 15 °C, water 26 °C, Humedad 70%						
Verwarmingscapaciteit	kW	3.5	5.5	7.5	9.5	11.5
Energieverbruik	kW	0.9	1.3	1.8	2.3	2.50
COP		4	4.4	4.3	4.2	4.6
* Algemene informatie						
Compressor type		Rottierend				
Stroom spanning	V	220-240V/50Hz/1PH				
Gebruikte ampère's	A	4.3	6.0	9.4	11.1	12.8
mini zekering	A	12	17	26	31	35
Nominale waterstroom	m ³ /h	2.5~3.2	2.5~3.7	3.5~7.1	4~7.9	4.6~9.3
Maximum drukverlies	Kpa	12	12	15	15	15
Warmtewisselaar		Twisted Titanium exchanger in PVC				
Wateraansluiting	mm	50				
Fan hoeveelheid		1				
Luchtstroom		Horizontal				
Geluid niveau (10m)	dB(A)	31	32	35	37	37
Geluid niveau (1m)	dB(A)	49	50	52	54	54
Hoeveelheid koelmiddel	g	400	550	950	1000	1000
CO2-equivalent	Tonne	0.27	0.37	0.64	0.68	0.68
* Dimension/Weight						
Netto gewicht	Kg	38	48	54	72	76
Bruto gewicht	Kg	40	50	56	76	84
Netto afmeting	mm	800*360.9*523.5	977.6*396.2*571.5		1102.3*432.7*703.7	
Verpakkingsdimensie	mm	875*385*560	1055*420*605		1125*490*728	

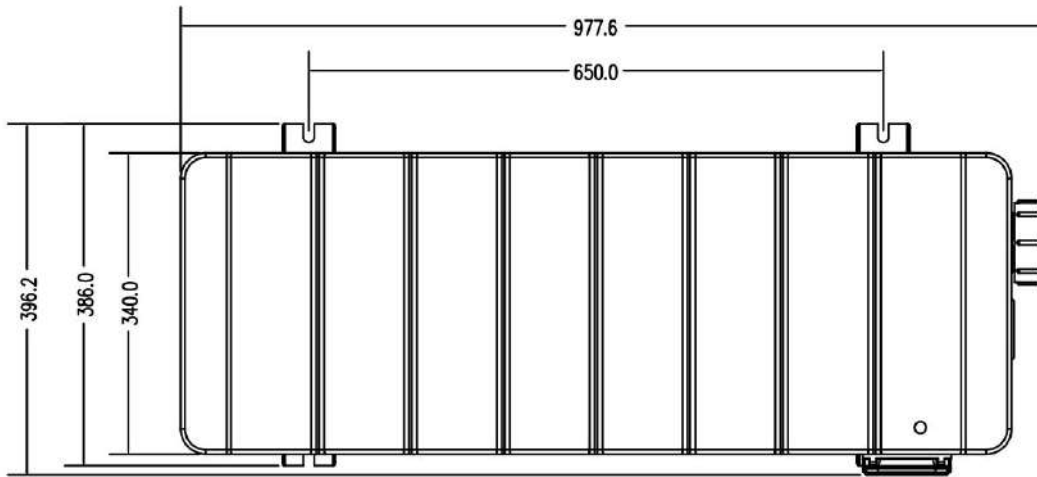
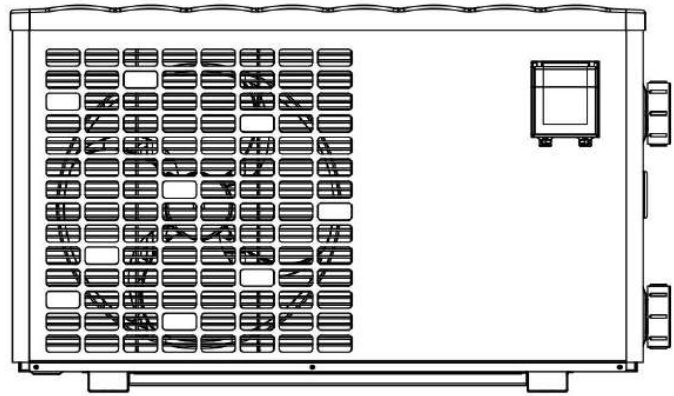
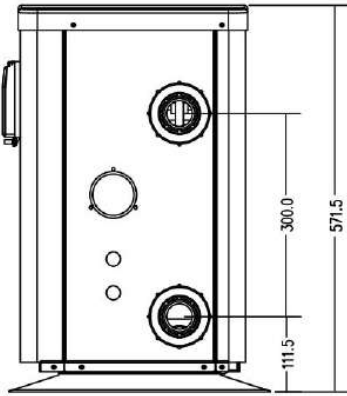
*Bovenstaande gegevens zijn onderhevig aan modificaties zonder opgave.

2. Dimensie (mm)

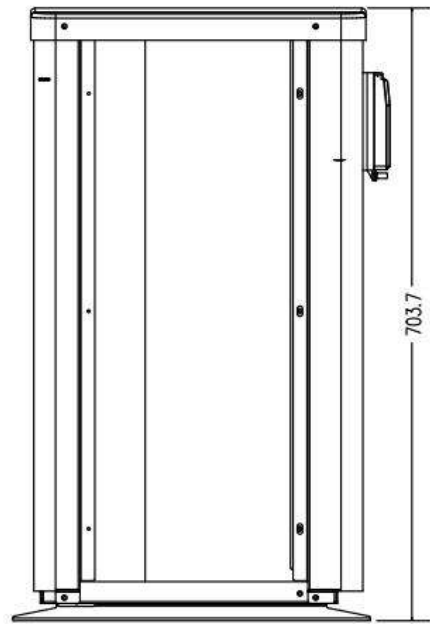
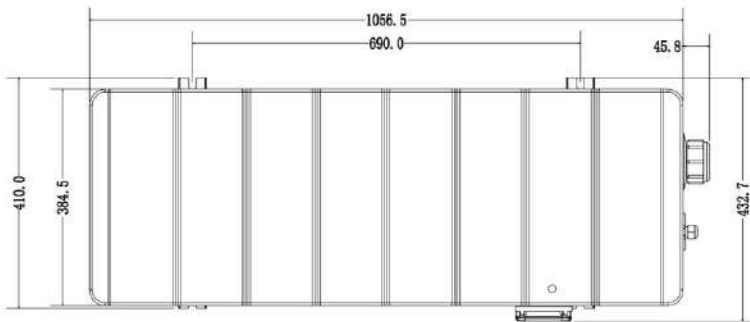
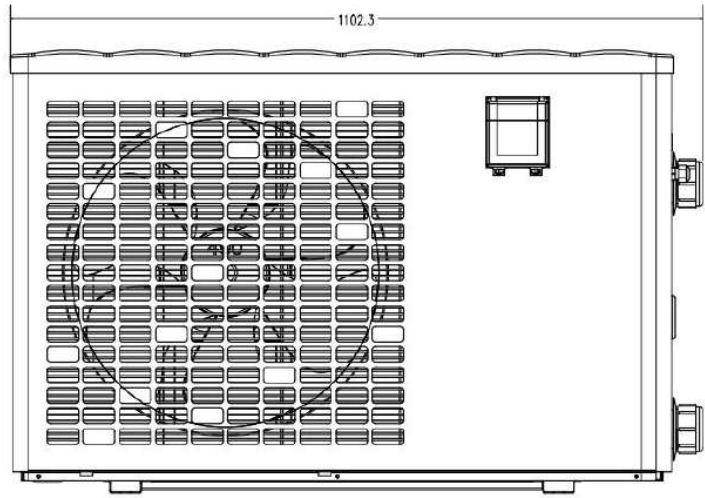
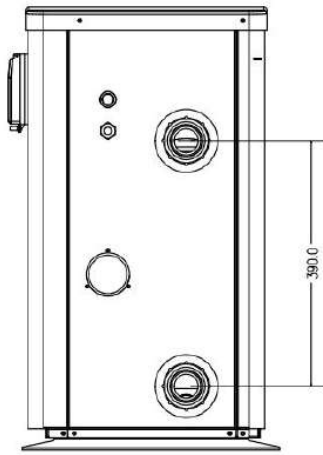
Model : FSN-05



Model : FSN-08 & FSN-11



Model : FSN-14 & FSN-17



3. Installatie en aansluiting

3.1 Opmerkingen

De fabriek levert alleen de warmtepomp. Andere componenten, inclusief een bypass waar nodig, moet geleverd worden door de gebruiker of installatie technicus.

N.B.:

Volg alstublieft de stappen hieronder op wanneer u de warmtepomp installeert:

1. Elke toevoeging van chemicaliën moet plaatsvinden in de buizen gelokaliseerd **achter** de warmtepomp.
2. Installeer een bypass als de toevoer van water van het zwembad meer is dan 20% boven de toegestane toevoer door de warmtewisselaar van de warmtepomp.
3. Installeerde warmtepomp boven het waterniveau van het zwembad.
4. Installeer altijd de warmtepomp op een stevige ondergrond en gebruikt de demping rubbers bijgevoegd om vibratie en lawaai te vermijden.
5. Houdt de warmtepomp altijd recht. Als het apparaat in een diagonale positie was gehouden, wacht dan tenminste 24 uren met het starten van de warmtepomp.

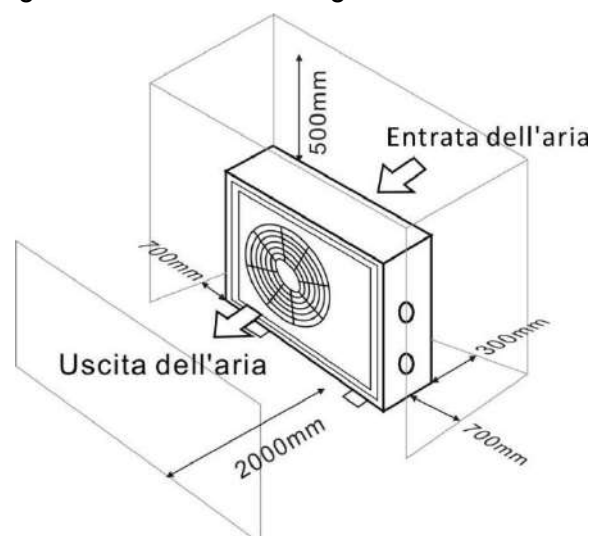
3.2 Positionierung der Wärmepumpe

Die Einheit wird an jeder gewünschten Position richtig arbeiten, solange die folgenden drei Elemente vorhanden sind:

- 1. Frische Luft – 2. Elektrizität – 3. Schwimmbecken-filter**

De unit kan op vrijwel elke buitenlocatie worden geïnstalleerd, mits de gespecificeerde minimumafstanden tot andere objecten worden aangehouden (zie onderstaande tekening). Raadpleeg uw installateur voor installatie met een binnenzwembad. Installatie op een winderige locatie is in tegenstelling tot de situatie bij een gaskachel (inclusief waakvlamproblematiek) geen enkel probleem.

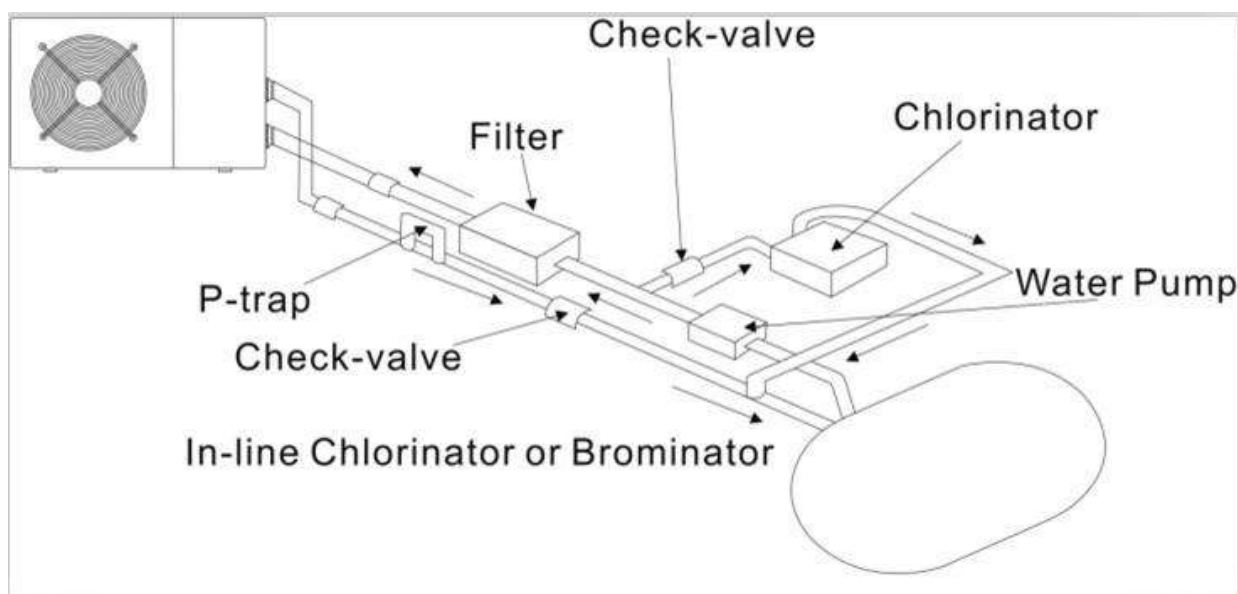
LET OP: Installeer de unit nooit in een afgesloten ruimte met een beperkt luchtvolume waarin de lucht die uit de unit wordt verdreven wordt hergebruikt, of in de buurt van struikgewas dat de luchtinlaat zou kunnen blokkeren. Dergelijke locaties belemmeren de continue toevoer van verse lucht, wat resulteert in een verminderd rendement en mogelijk onvoldoende warmteafgifte. Zie onderstaande tekening voor minimale afmetingen.



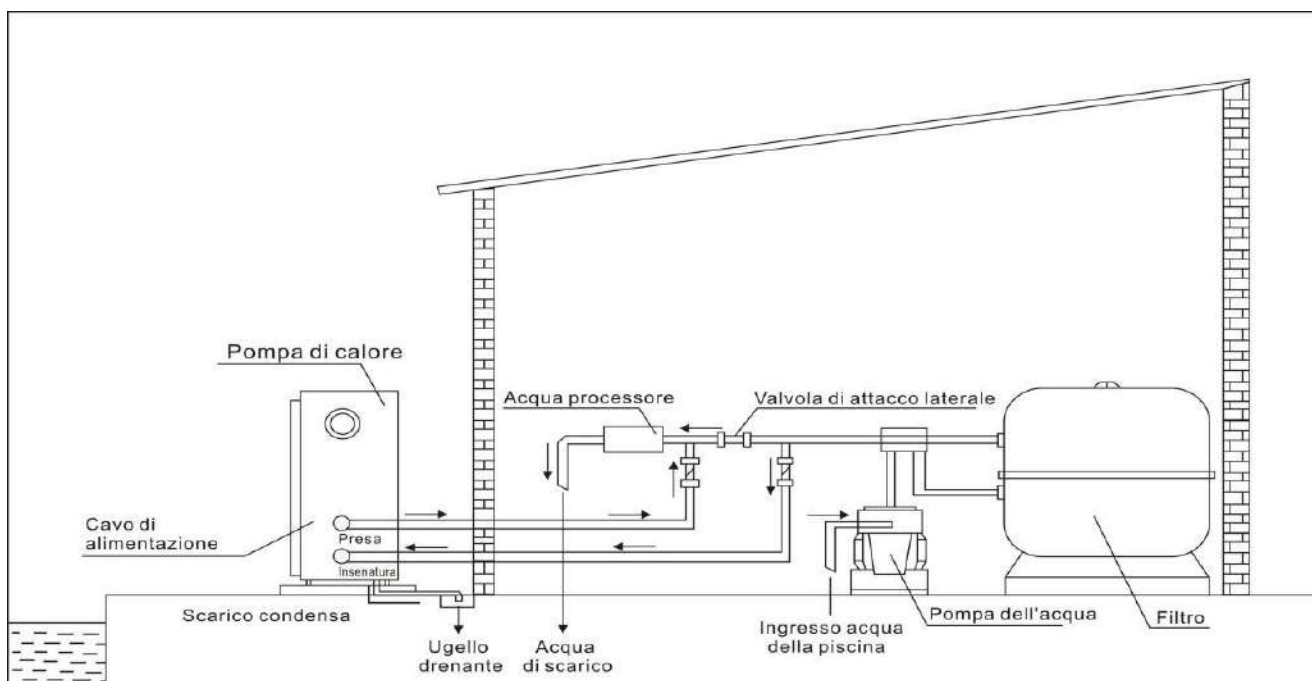
3.3 Installatie met terugslagklep

Opmerking: Als automatische doseerapparatuur voor chloor en zuurgraad (pH) wordt gebruikt, is het essentieel om de warmtepomp te beschermen tegen te hoge chemicaliënconcentraties die de warmtewisselaar kunnen aantasten. Om deze reden moet dit soort apparatuur altijd in de leidingen aan de benedenstroomse zijde van de warmtepomp worden gemonteerd, en het wordt aanbevolen om een terugslagklep te installeren om terugstroming te voorkomen als er geen watercirculatie is.

Schade aan de warmtepomp veroorzaakt door het niet naleven van deze instructie valt niet onder de garantie.

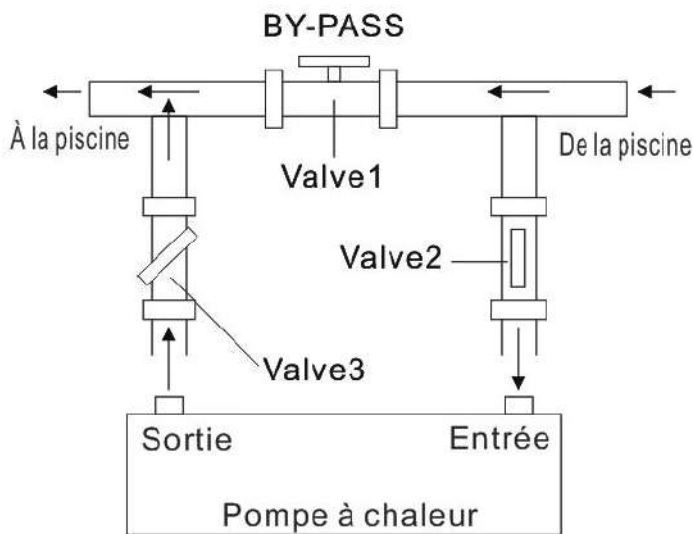


3.4 Typische set up



Opmerking – Deze set up is alleen een voorbeeld voor demonstratie

3.5 Instelling van bypass



Volg onderstaande stappen om de bypass aan te passen:

1. klep 1 helemaal open. Klep 2 en klep 3 gesloten.
2. Open klep 2 en klep 3 langzaam met de helft en sluit vervolgens klep 1 langzaam om de waterstroom naar klep 2 en klep 3 te vergroten.
3. Als 'ON' of 'EE3' op het display wordt weergegeven, betekent dit dat de waterstroom naar de warmtepomp niet voldoende is, dan moet u de kleppen aanpassen om de waterstroom door de warmtepomp te vergroten.

Hoe u de optimale waterstroom krijgt.

Schakel de warmtepomp onder verwarmingsfunctie in, sluit eerst de bypass en open deze vervolgens langzaam om de warmtepomp te starten (de machine kan niet starten als de waterstroom onvoldoende is)

Ga door met het aanpassen van de bypass en controleer ondertussen de inlaatwatertemp. & Uitlaatwatertemp., Het zal optimaal zijn als het verschil ongeveer 2 graden is.

3.6 Elektrische verbinding

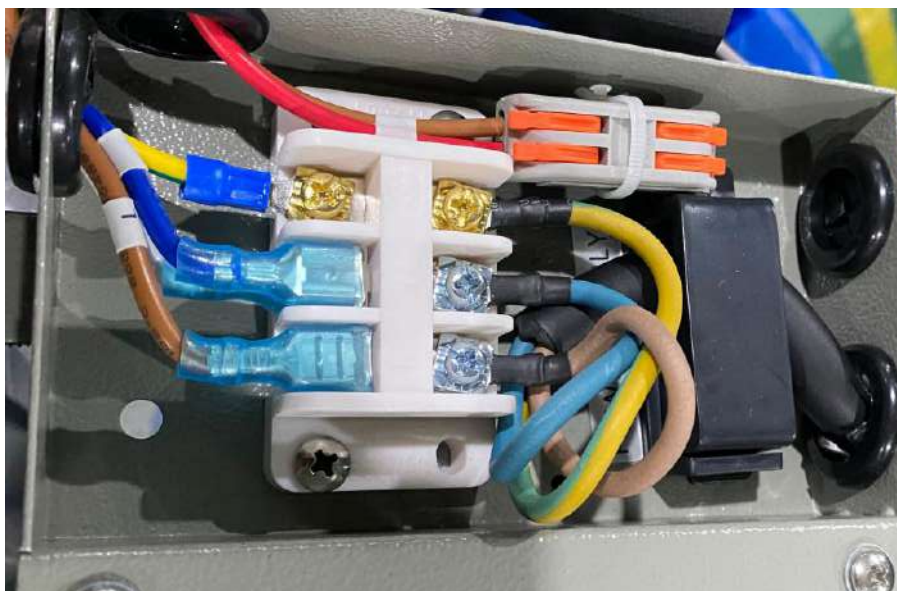
Opmerking: hoewel de warmtepomp elektrisch geïsoleerd is van de rest van het zwembadsysteem, voorkomt dit alleen de stroom van elektrische stroom naar of van het water in het zwembad. Aarding is nog steeds vereist voor bescherming tegen kortsluiting in de unit. Zorg altijd voor een goede aardverbinding. De installateur dient indien nodig de elektriciteitsleverancier te raadplegen en ervoor te zorgen dat de apparatuur correct wordt aangesloten op een elektriciteitsnet met een impedantie lager dan 0,095 ohm.

Waarschuwing: Voordat u werkzaamheden aan de binnenkant van het apparaat uitvoert, moet u de elektriciteitstoevoer van het apparaat afsluiten, aangezien er een risico op elektrische schokken bestaat, wat materiële schade, ernstig letsel of zelfs de dood kan veroorzaken.

- Onjuist aangedraaide klemmen kunnen ertoe leiden dat de klemmenkast opwarmt, waardoor deze ongeldig kan worden de garantie.
- Alleen een gekwalificeerde en ervaren technicus is bevoegd om bekabelingswerkzaamheden uit te voeren binnen de apparaat of om het netsnoer te vervangen.

Controleer voordat u de unit aansluit of de voedingsspanning overeenkomt met de bedrijfsspanning van de warmtepomp.

Het wordt aanbevolen om de warmtepomp aan te sluiten op een circuit met een eigen zekering of stroomonderbreker (langzaam type; curve D) en om geschikte bedrading te gebruiken. Sluit de elektrische draden aan op het klemmenblok gemarkeerd met 'POWER SUPPLY'. Een tweede klemmenblok gemarkeerd met 'WATER PUMP' bevindt zich naast de eerste. De filterpomp (max. 5 A 0 V) kan hier op het tweede klemmenblok worden aangesloten. Hierdoor kan de werking van de filterpomp worden geregeld door de warmtepomp.



3.7 Inbedrijfstelling

Opmerking: om het water in het zwembad (of de hot tub) te verwarmen, moet de filterpomp draaien om het water door de warmtepomp te laten circuleren. De warmtepomp start niet als het water niet circuleert.

Nadat alle aansluitingen zijn gemaakt en gecontroleerd, voert u de volgende procedure uit:

1. Schakel de filterpomp in. Controleer op lekken en ga na of er water van en naar het zwembad stroomt.
2. Sluit de stroom naar de warmtepomp aan en druk op de aan / uit-knop op het elektronische bedieningspaneel. De unit zal opstarten nadat de tijdvertraging is verstreken (zie hieronder).
3. Controleer na een paar minuten of de lucht die uit het apparaat blaast, koeler is.
4. Wanneer u de filterpomp uitschakelt, moet de unit ook automatisch worden uitgeschakeld, zo niet, dan moet u de stroomschakelaar aanpassen.
5. Laat de warmtepomp en de filterpomp 24 uur per dag draaien totdat de gewenste watertemperatuur is bereikt. De warmtepomp stopt op dit punt met werken. Hierna zal hij automatisch herstarten (zolang de filterpomp loopt) wanneer de temperatuur van het zwembadwater 2 graden onder de ingestelde temperatuur zakt.

Afhankelijk van de begintemperatuur van het water in het zwembad en de luchttemperatuur kan het enkele dagen duren voordat het water op de gewenste temperatuur is gebracht. Een goede zwembadafdekking kan de benodigde tijd aanzienlijk verkorten.

Waterstroomschakelaar:

Het is uitgerust met een stromingsschakelaar om de HP-unit te beschermen die met voldoende waterdebiet werkt. Hij wordt ingeschakeld wanneer de zwembadpomp loopt en schakelt hem uit wanneer de pomp wordt uitgeschakeld. Als het zwembadwaterpeil hoger is dan 1 m boven of onder de automatische instelknop van de warmtepomp, moet uw dealer mogelijk de eerste keer opstarten aanpassen.

Tijdvertraging - De warmtepomp heeft een ingebouwde opstartvertraging van 3 minuten om het circuit te beschermen en overmatige contactslijtage te voorkomen. De unit zal automatisch herstarten nadat deze tijdsvertraging is verstreken. Zelfs een korte stroomonderbreking zal deze vertraging activeren en verhinderen dat het apparaat onmiddellijk opnieuw opstart. Extra stroomonderbrekingen tijdens deze vertragingperiode hebben geen invloed op de duur van 3 minuten van de vertraging.

3.8 Condensatie

De lucht die in de warmtepomp wordt aangezogen, wordt sterk gekoeld door de werking van de warmtepomp voor het verwarmen van het zwembadwater, waardoor condensatie op de lamellen van de verdamer kan ontstaan. De hoeveelheid condensatie kan oplopen tot enkele liters per uur bij een hoge relatieve vochtigheid. Dit wordt soms ten onrechte als een waterlek beschouwd.

4. Accessoires

4.1 Accessoires lijst

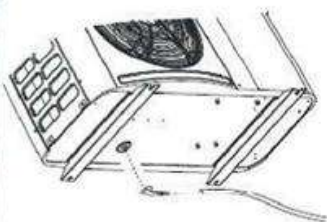
		
Anti-vibratie bodemplaat, 4 stuks	Aftaptuit, 2 stuks	Watervaste kist, 1 stuk
		
Winterhoes, 1 st	Wasserabflusrohr, 2 stuks	10M Signaal draad, 1 stuk

4.2 Accessoires installatie



Anti-vibratie rubbers

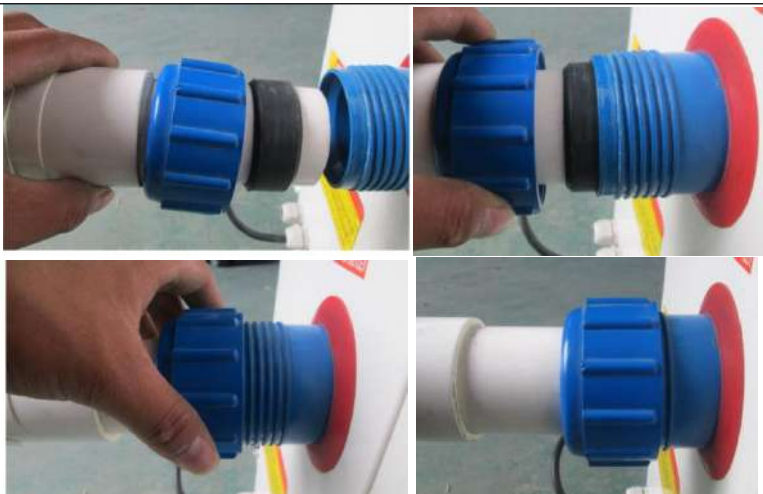
1. Neem de 4 anti-vibratie rubbers eruit
2. Plaatst ze een voor een onder de bodem van de machine zoals op het plaatje.



Aftap buis

1. Installeerde aftap buis onder het bodempaneel
2. Verbindt het met een water buis om het water af te tappen.

Opmerking: Til de warmtepomp op om de buis te installeren. Til de warmtepomp nooit te ver op, het kan de compressor beschadigen.



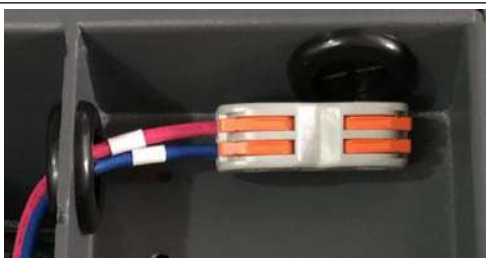
Water invoer & uitvoer verbinding

1. Installeer de twee verbindingen zoals op het plaatje getoond
2. Schroef ze op de water & uitvoer verbinding



Kabelbedrading

1. Open het deksel van de schakelkast
2. Bevestig de voedingskabel aan de aansluitpunten L N E.

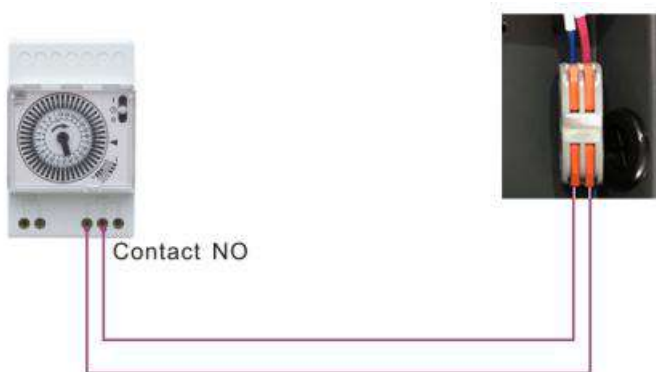


Verkabelung der Wasserpumpe (Trockenkontakt)

1. Öffnen Sie die Abdeckung des Schaltkastens
2. Mit den Anschlüssen 1 und 2 können Sie die Wasserfiltration durch den Timer der Filtration steuern (Trockenkontakt).

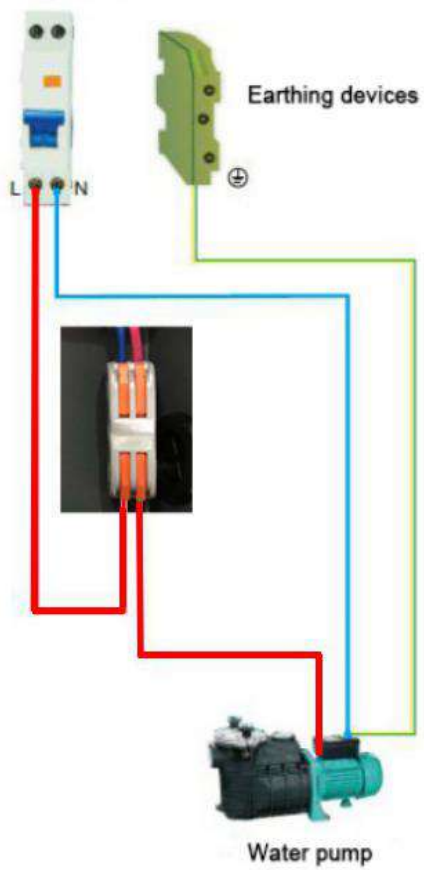
Dry contact timer-verbinding

Timer



Dry contact pump aansluiting

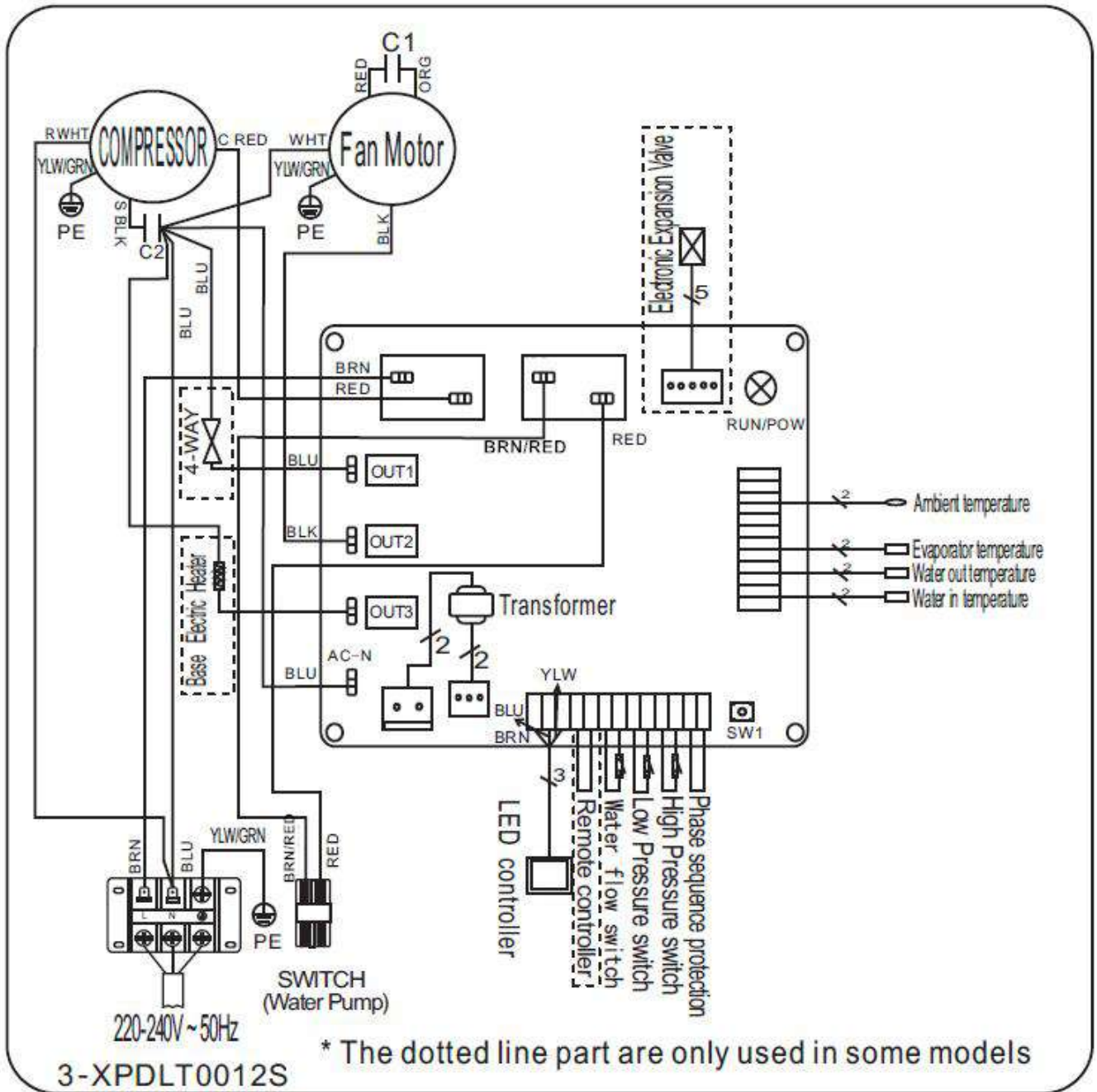
Leakage protector



5. Elektrische bedrading

5.1 ZWEMBAD WARMTEPOMP BEDRADING SCHEMA

FSN-05 / FSN-08 / FSN-11



FSN-05:

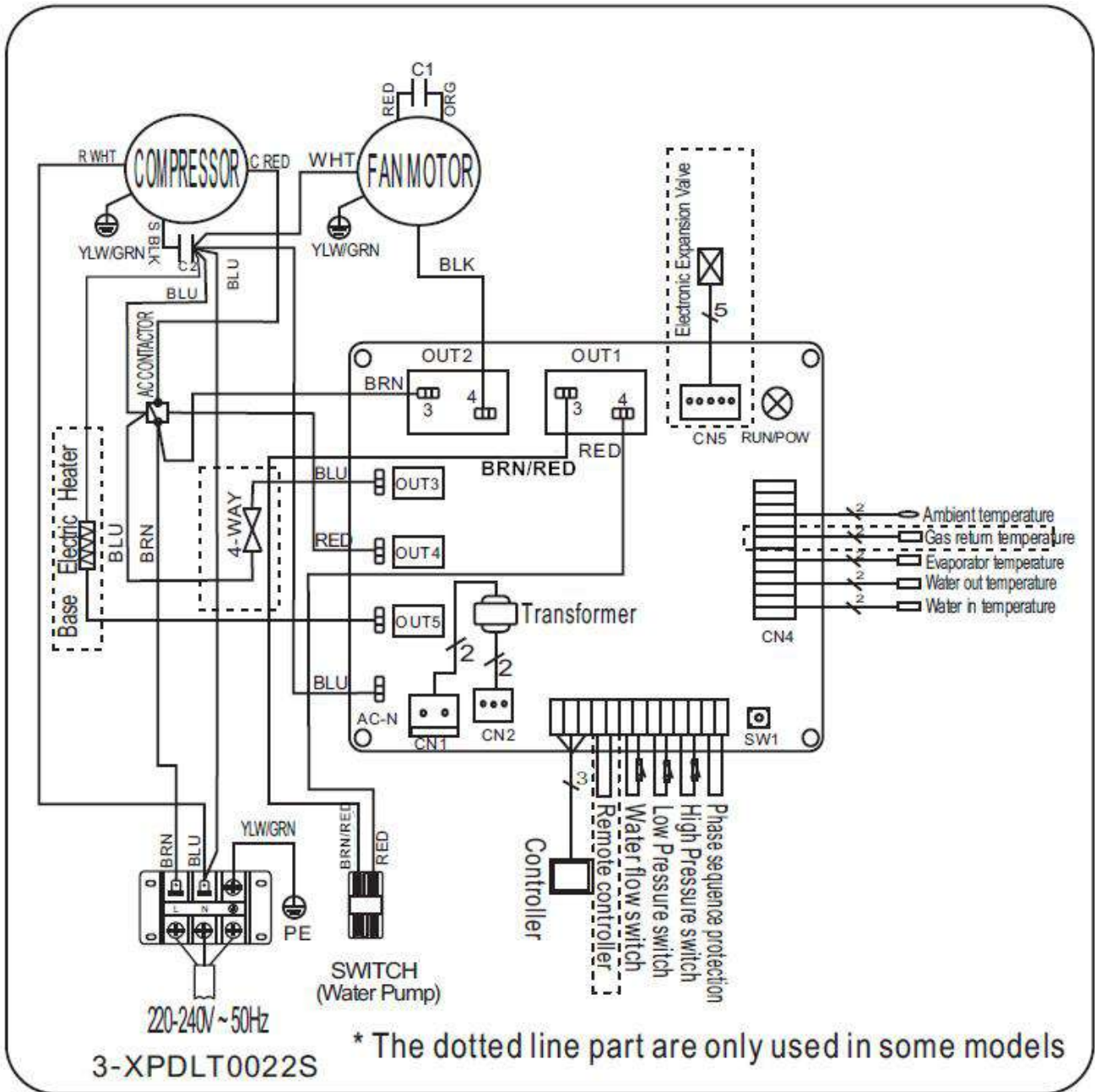
C1 = Ventilatorcondensator = 2uF/450V

C2 = Compressorcondensator = 35uF/450V

FSN-08 / FSN-11:

C1 = Ventilatorcondensator = 2uF/450V

C2 = Compressorcondensator = 60uF/450V



FSN-14/ FSN-17:

C1 = Ventilatorcondensator = 6uF/450V

C2 = Compressorcondensator = 70uF/450V

NOTITIE:

(1) Bovenstaand elektrisch bedradingschema is alleen bedoeld ter referentie, het is onderworpen aan het bedradingschema dat op de machine is aangebracht.

(2) De warmtepomp van het zwembad moet goed worden aangesloten op de aardedraad, hoewel de warmtewisselaar van de unit elektrisch geïsoleerd is van de rest van de unit. De unit moet nog steeds worden geaard om u te beschermen tegen kortsluiting in de unit. .

Ontkoppelen: Een ontkoppelmiddel (stroomonderbreker, gezeerde of niet-gezeerde schakelaar) moet in het zicht van en gemakkelijk toegankelijk zijn vanaf de unit. Dit is gebruikelijk bij commerciële en residentiële warmtepompen. Het voorkomt het op afstand bekrachtigen van onbeheerde apparatuur en maakt het mogelijk de stroom naar de unit uit te schakelen terwijl de unit wordt onderhouden.

5.4 Installatie van de schermbediening

Foto (1)



Foto (2)



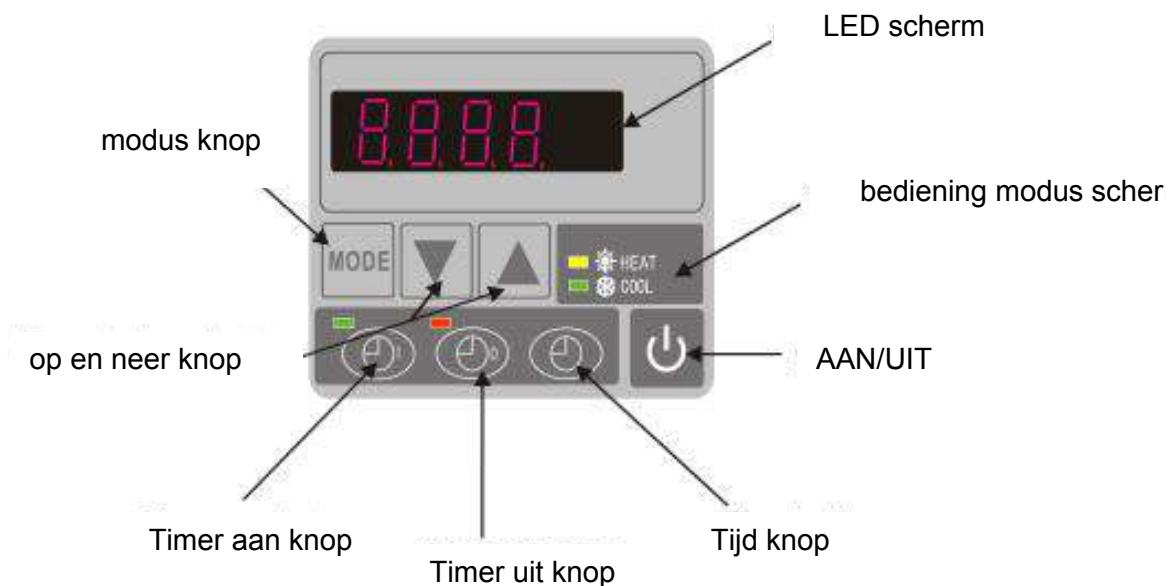
Foto (3)



- Verwijdering en of plaatsing van het bediening wordt van de connector (foto 1)
- Installatie van de geleverde kabel (foto 2)
- Om de kabel door te voeren met het doorvoerpakket (foto 3) en beiden direct te verbinden


6. Scherm bediening systeem

6.1 De knoppen van de LED draad bediening




Wanneer de warmtepomp aan is, toont het LED scherm de invoer watertemperatuur. Wanneer de warmtepomp op stand-by staat, toont het LED scherm de echte tijd.

6.2 Start of stop de warmtepomp.




Druk op  om het warmtepomp apparaat te starten, het LED scherm toont de gewenste watertemperatuur voor 5 seconden, dan toont het de invoer watertemperatuur.


Druk op  om het waterpomp apparaat stop te zetten.

6.3 Kies verwarming of koel mode:

Druk op  zodat het "verwarming" of "koeling" lampje aan is.

6.4 Instelling van de echte tijd

Op stand-by of werkende mode, druk lang op  , druk dan op  of  om de uren/minuten in te stellen.

Druk dan op  nogmaals onder gegevens op te slaan.

Wanneer u de tijd instelt,  en  kunnen niet werken.




6.5 Watertemperatuur instelling:


Op stand-by of werkende mode, druk op  en  om de gewenste watertemperatuur in te stellen.

Opmerking ; de warmtepomp kan alleen werken als het water circulatie/filtratie systeem draait.




6.6 Automatisch starten/stoppen van de warmtepomp


Om de tijd in te stellen om het apparaat te starten

Druk op  om de tijd in te stellen om het apparaat te starten, druk dan op  of  om de tijd bij te stellen (stel de tijd in te starten 5 minuten na de waterpomp).

Druk nogmaals op  om de nieuwe gegevens op te slaan.

Om de tijd in te stellen om het apparaat te stoppen

Druk op  om de tijd in te stellen om te stoppen met werken, druk dan op  of  om de tijd bij te stellen (stel de tijd in om te stoppen 5 minuten voor de waterpomp).

Druk nogmaals op  om de nieuwe gegevens op te slaan.

6.7 Uitschakelen van de automatische start/stop

Om de automatische starter uit te schakelen

Druk op , dan druk op  „  lampje uit en de automatische starter is uit.

Om de automatische starter in te schakelen

Druk op , dan druk op  „  lampje aan en de automatische starter is aan.

Opmerking ; Als het water filteren systeem wordt gestopt voor de warmtepomp, zal het apparaat uitgaan (veiligheids maatregel) en de code EE3 of AAN verschijnt op de bediening.



- Het is belangrijk om de warmtepomp te programmeren tezamen met het tijdprogramma van het waterfiltratie systeem.
- Om de waterpomp te herstarten, schakel het uit en zet de elektrische stroomvoorziening weer aan om het apparaat te herstarten.




6.8. Werking gegevens instelling



6.8.1 Hoe de parameters te controleren

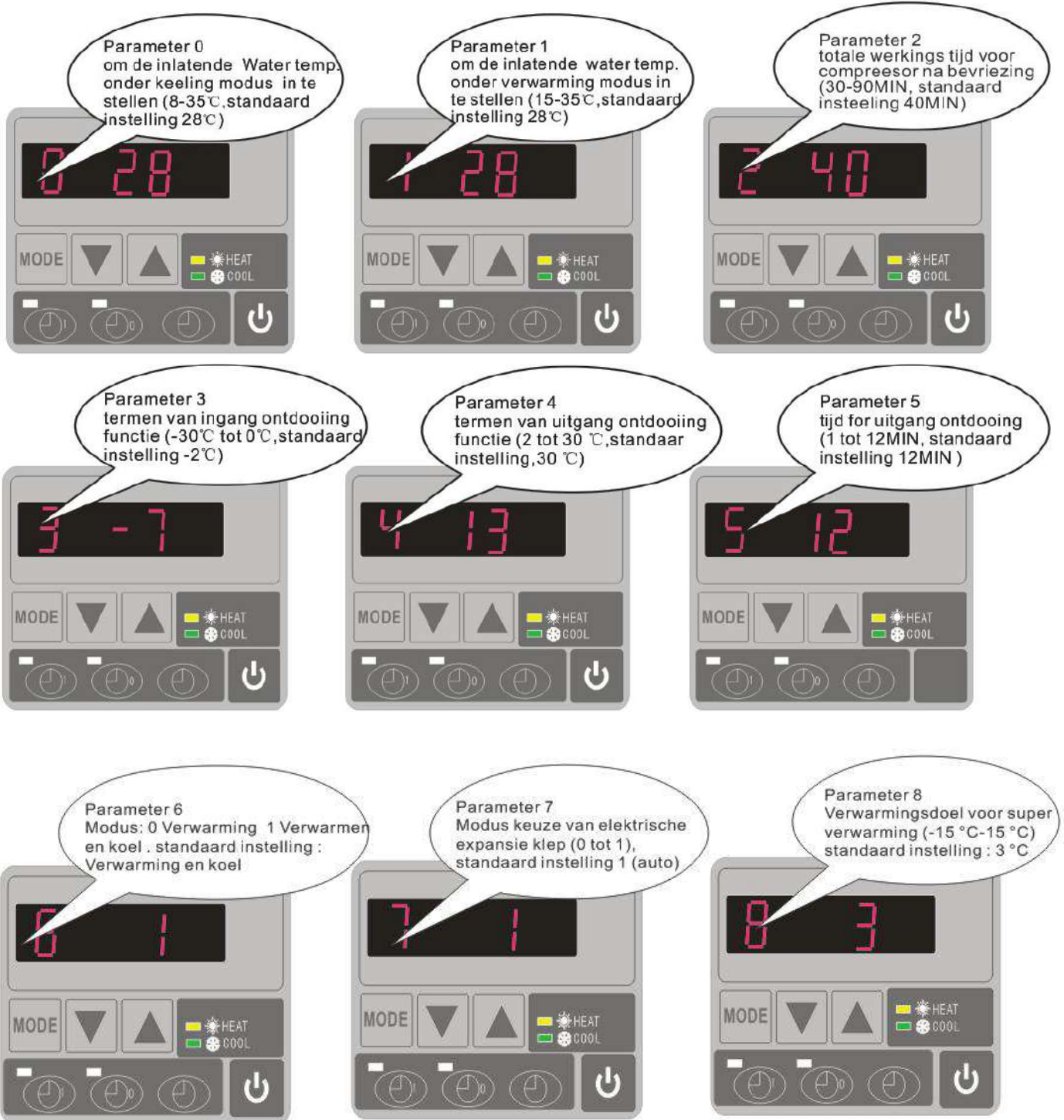
Op stand-by of werkende mode, druk lang op  voor 10 seconden, druk dan op  of  om de parameters te controleren (van 0 tot H, zie bediening parameter tabel).

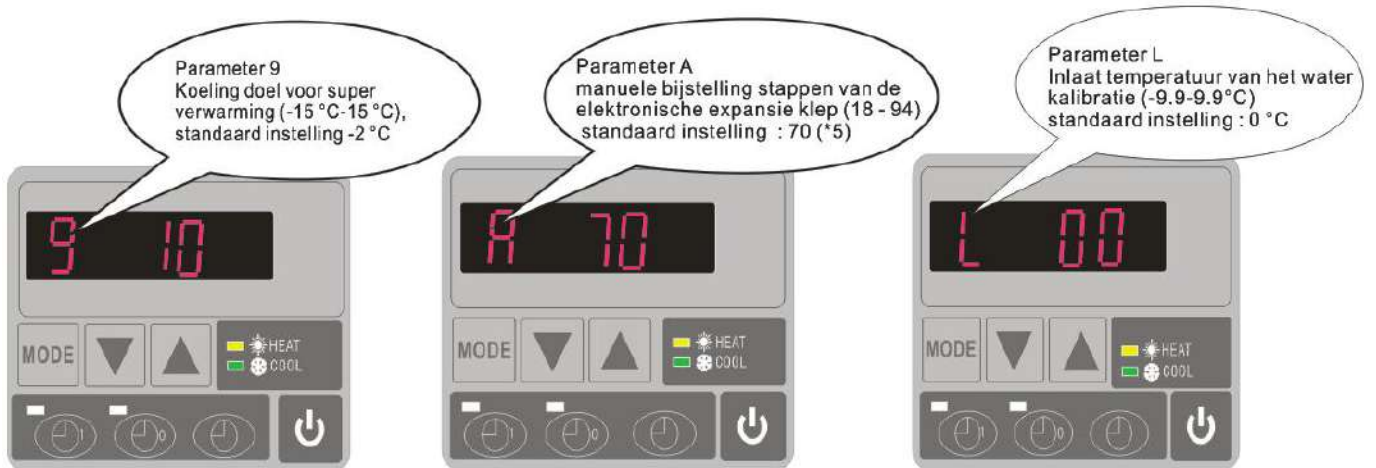
6.8.2 Hoe de parameters bij te stellen (Kan alleen bijgesteld worden op standby mode)

1) Druk lang op  voor 10 seconden, druk dan nogmaals op  om de gegevens te selecteren (van 0 tot L, zie bediening parameter tabel) die u bij wilt stellen.

2) Druk dan op  of  om de parameters bij de stellen, druk dan nogmaals op  om de nieuwe gegevens op te slaan.

3) Druk dan op  of  Kies de andere gegevens die u bij wilt stellen, herhaal de bovenstaande handelingen.





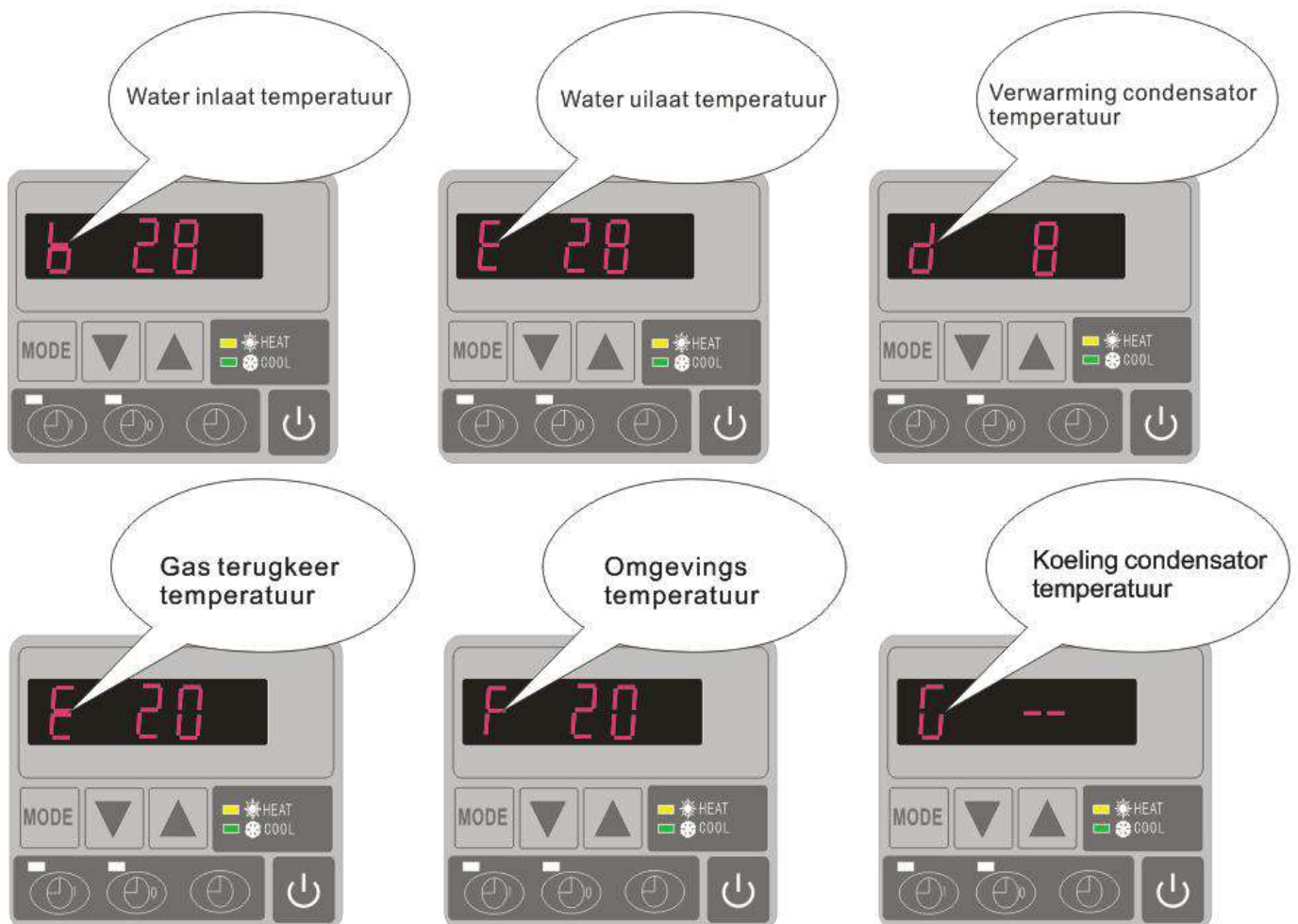
Merk alstublieft graag op:

A) Druk op "MODE" om de modus te kiezen (Mode kan alleen veranderd worden voor de "1" of "2" instelling van parameter 6)

B) Modus kan tijdens het werken veranderd worden

C) Buitenstaander elektrische verwarming is niet toepasbaar voor deze modes.

6.8.3 Hoe de huidige status te weten te komen





Parameter	Betekent	Bereik	Standaard	Opmerkingen
0	Om de ingaande watertemperatuur in te stellen onder koeling mode	8-35°C	28°C	Verstelbaar
1	Om de ingaande watertemperatuur in te stellen onder verwarming mode	15-40°C	28°C	Verstelbaar
2	Opgave voor ontdooiing tijd periode	30-90MIN	40MIN	Verstelbaar
3	Termen van toegang ontdooiing functie	-30°C to 0°C	-7°C	Verstelbaar
4	Termen van uitgang ontdooiing	2 to 30°C	20°C	Verstelbaar
5	Tijd van uitgang ontdooiing	1 to 12MIN	12MIN	Verstelbaar
6	Mode: 0 verwarming 1 verwarming en koeling	0-1	1(verwarming en koeling)	Verstelbaar
7	Modekeuze van elektronische expansieklep	0-1	1(auto)	Verstelbaar
8	Oververhitting voor de verwarming van doelgroep	-15°C - 15°C	3°C	Verstelbaar
9	Oververhitting voor de koeling van doelgroep	-15°C - 15°C	-2 °C	Verstelbaar
A	Handmatige aanpassing stappen van elektronische expansieklep	18-94	70	Verstelbaar
B	Inlaat watertemperatuur	-9-99°C		Exact onderzoek door de waarde
C	Uitlaat watertemperatuur	-9-99°C		Exact onderzoek door de waarde
D	Condensator temperatuur onder verwarming's mode	-9-99°C		Exact onderzoek door de waarde
E	Gas terugkeer temperatuur	-9-99°C		Exact ander zoekt door de waarde
F	Omgevingstemperatuur	-9-99°C		Exact testing by value
G	Condensator temperatuur onder koeling mode	-9-99°C		Exact onderzoek door de waarde
H	Daadwerkelijke stappen van elektronische expansieklep	N*5		Exact onderzoek door de waarde
L	Inlaat temperatuur van het water kalibratie	-9.9-9.9°C	0°C	Verstelbaar

Opmerkingen:

(1) Wanneer de HP stop met werken in 30 seconden, zal de waterpomp automatisch uitschakelen

(2) LED draadregelaar kan de waterpomp accuraat bedienen na te zijn verbonden door een extra kabel aan het pomp apparaat in de positie van de "POMP" terminal.

7. Problemen Oplossen

7.1 Fout code scherm op LED draad bediening

Storing	Foutcode	Reden	Oplossing
Bescherming lage omgevingstemperatuur	PP0	Omgevingstemperatuur is te laag	
Inlaat watertemperatuur sensor fout	PP1	De sensor is open of kortsluiting	Controleer of verander de sensor
Uitlaat watertemperatuur sensor fout	PP2	De sensor is open of kortsluiting	Controleer of verander de sensor
Verwarming condensator sensor fout	PP3	De sensor is open of kortsluiting	Controleer of verander de sensor
Gas terugkeer sensor fout	PP4	Sluit enkele draad ten onrechte op dit punt	Bevestigen dat er niets op dit punt, restart
Omgeving temperatuur sensor fout	PP5	De sensor is open of kortsluiting	Controleer of verander de sensor
Temperatuurverschil tussen water in en uit is te hoog	PP6	Waterstroom niet genoeg, water drukverschil is te laag	Controleer de waterstroom hoeveelheid of water vastgelopen is of niet
Eerste graad antivries bescherming in de winter	PP7	Omgevingstemperatuur van water inlaat is te laag	Waterpomp wordt automatisch aangezet voor eerste graad antivries
Tweede graad antivries bescherming in de winter r	PP7	Omgevingstemperatuur van water inlaat is te laag	Warmtepomp zal beginnen met verwarmen voor tweede graad antivries
Hoge druk bescherming	EE1	<ol style="list-style-type: none">1. Koelmiddel is te veel2. Luchtstroom is niet genoeg	<ol style="list-style-type: none">1. Loos overtollig koelmiddel van HP gas systeem2. Reinig de luchtwarmtewisselaar
Laren druk bescherming	EE2	<ol style="list-style-type: none">1. Koelmiddel is niet genoeg2. Waterstroom is niet genoeg3. Filter geblokkeerd of capillair geblokkeerd	<ol style="list-style-type: none">1. Controleer of er enige gaslekkage is, hervul het koelmiddel2. Reinig de luchtwarmtewisselaar3. Vervang het filter of capillair
Stroom doorvoer schakelaar gesloten	EE3 or "ON"	Lage waterstroom, verkeerde stroomrichting, of stroom doorvoer schakelaar fout.	Controleer of er genoeg waterstroom is en doorstroming in de juiste richting, of anders is de stroom doorvoer schakelaar stuk.
Inlaat en uitlaat watertemperatuur verschil	EE5	Waterstroom hoeveelheid is niet genoeg, waterdruk verschil is te laag	Controleerde water stroom hoeveelheid, of het watersysteem is geblokkeerd of niet
Communicatie fout	EE8	Draadverbinding is niet goed	Controleer de draadverbinding

7.2 Indicación de fallo en PCB

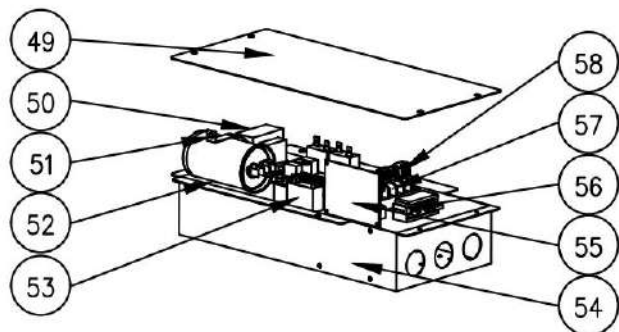
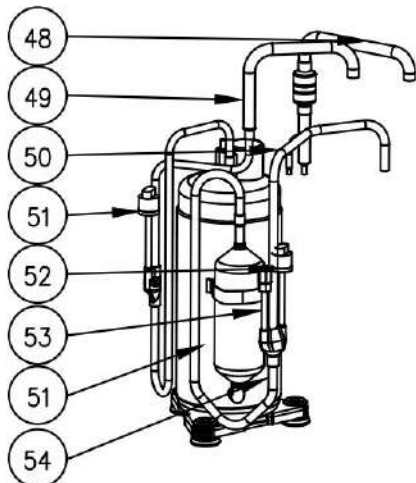
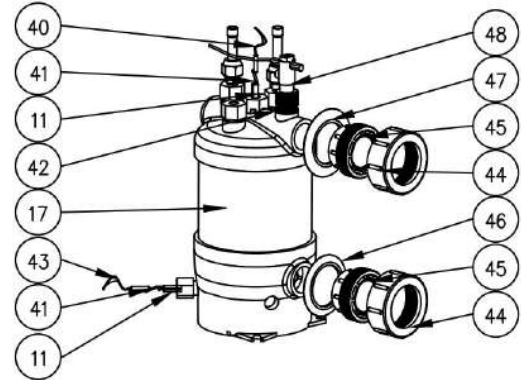
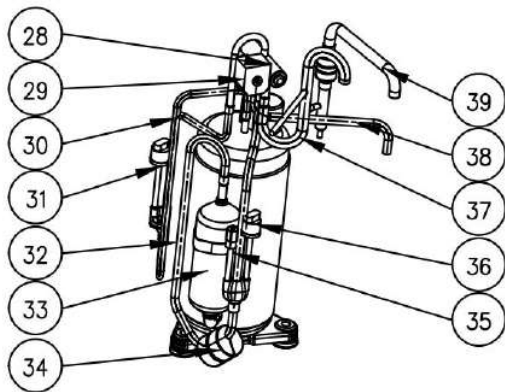
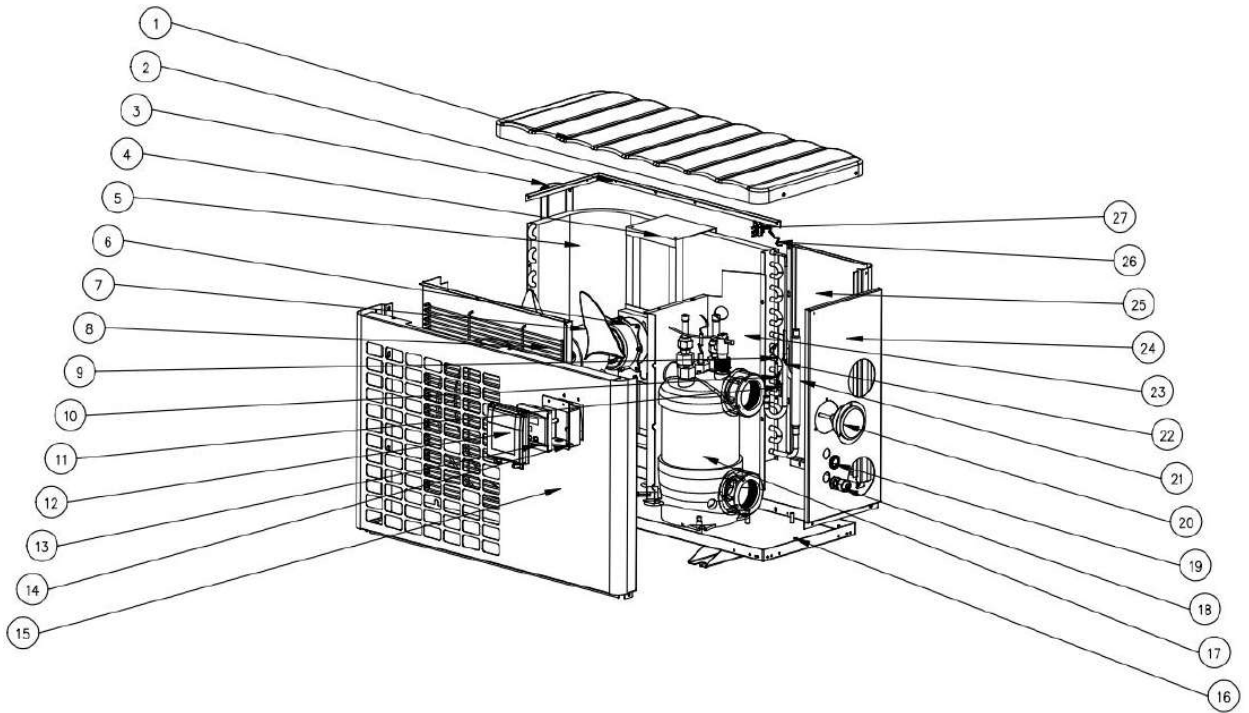
Bescherming / storing	Controller-scherm	Storingslampje op printplaat
Stand-by status warmtepomp	ON	
Warmtepomp draait	Water in temperature	
Bescherming tegen lage omgevingstemperatuur	PP0	
Storing sensor inlaatwatertemperatuur	PP1	
Storing sensor uitlaatwatertemperatuur	PP2	
Storing sensor verwarmingscondensor	PP3	
Storing gasretoursensor	PP4	
Storing sensor omgevingstemperatuur	PP5	
Temperatuurverschil te veel bescherming tussen waterinlaat en -uitlaat	PP6	
Eersteklas antivriesbescherming in de winter	PP7	
Antivriesbescherming van tweede kwaliteit in de winter	PP7	
Bescherming tegen hoge druk	EE1	
Lage druk bescherming	EE2	
Stromingsschakelaar gesloten	ON/EE3	
Storing in temperatuurverschil inlaat- en uitlaatwater	EE5	
Ontdooien	Defrosting	

7.3 Andere fouten en oplossingen (Geen verschijning op LED draad controller)

Storingen	Observering	Redenen	Oplossing
Warmtepomp werkt niet	LED draadcontroller geen verschijning.	Geen stroomvoorziening	Check cable and circuit breaker if it is connected
	LED draad controller toont de actuele tijd.	Warmtepomp in stand-by status	Startup heat pump to run.
	LED draad controller toont de actuele watertemperatuur.	<ol style="list-style-type: none"> 1. Watertemperatuur bereikte ingestelde waarde, HP onder constante temperatuur status. 2. Warmtepomp begint net te lopen. 3. Onder ontdooien. 	<ol style="list-style-type: none"> 1. Controleer watertemperatuur instelling. 2. Start warmtepomp na een paar minuten. 3. LED draadcontroller moet vertonen "ontdooien".
Korte looptijd	LED toont actuele watertemperatuur, er verschijnt geen fout code.	<ol style="list-style-type: none"> 1. Ventilator draait NIET. 2. Luchtventilator hij is niet genoeg. 3. Niet genoeg koelmiddel. 	<ol style="list-style-type: none"> 1. Controleer de kabelverbindingen tussen de motor en ventilator, wanneer nodig, moet het vervangen worden. 2. Controleerlocatie van het warmtepomp apparaat, en elimineer alle obstakels om een goede luchtventilatie mogelijk te maken. 3 Vervang of repareer het warmtepomp apparaat.
Water vlekken	Water vlekken op warmtepomp apparaat.	<ol style="list-style-type: none"> 1. Betonneren. 2. Water lekkage. 	<ol style="list-style-type: none"> 1. Geen actie. 2. Controleer de titanium warmtewisselaar zorgvuldig of het defect is.
Te veel ijs op de verdamper	Te veel ijs op de verdamper.		<ol style="list-style-type: none"> 1. Controleer de locatie van het warmtepomp apparaat, en elimineer alle obstakels om een goede lucht ventilatie mogelijk te maken. 2. Vervang of repareer het warmtepomp apparaat. 2.

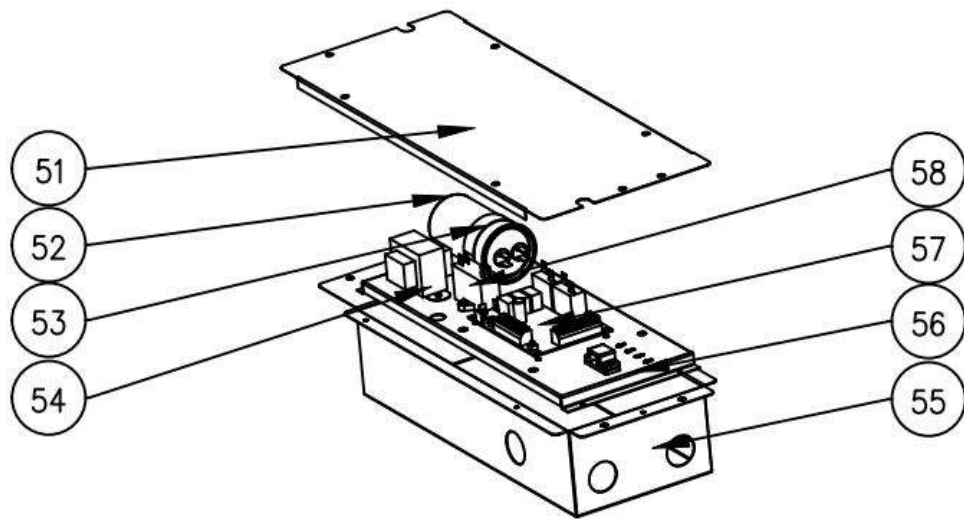
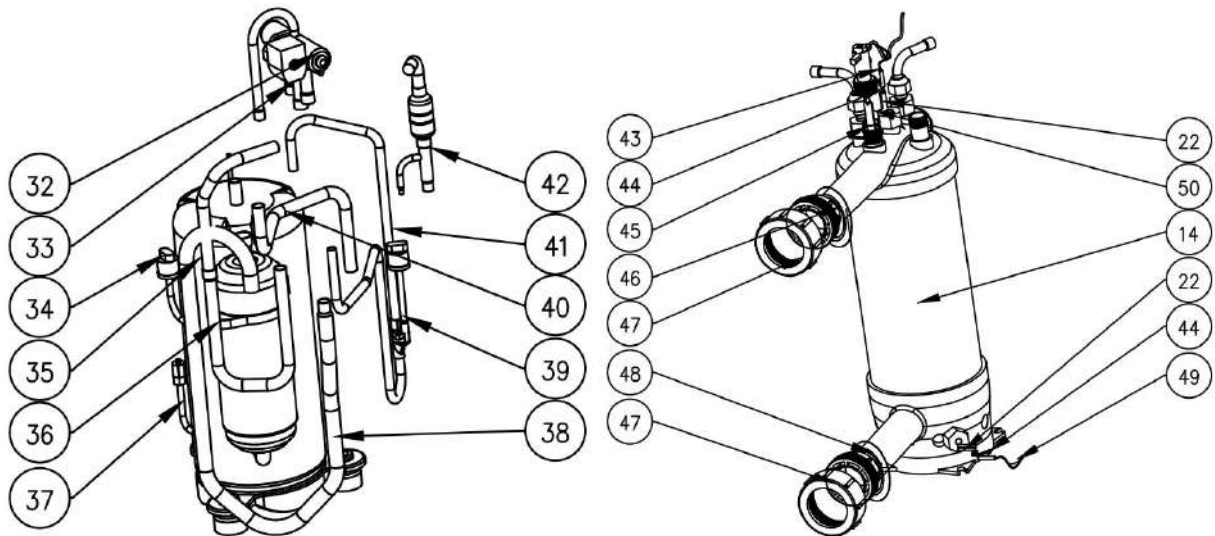
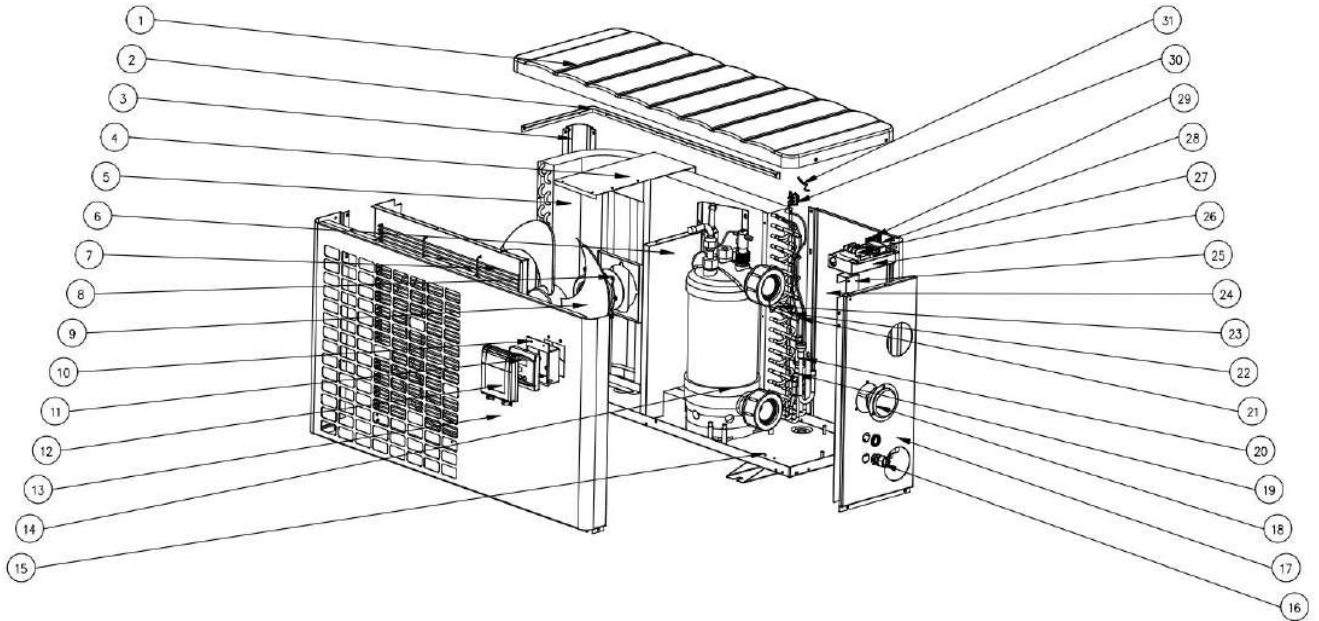
8. Geëxplodeerd Diagram

Modellen: FSN05



NO	ERP	Spare parts	NO	ERP	Spare parts
1	133420002	Bovenklep	30	113010408	Uitlaat
2	108920005	Elektrische reksteunplaat	31	112100030	Hogedrukschakelaar
3	108920011	Pijler	32	113020562	Gas retourleidingen
4	108920002	Ventilatormotorbeugel	33	101000241	Compressor
5	103000250	Verdamper	34	136020026	Anti-trilrubber
6	112000033	Ventilatormotor	35	120000098	Gas klep
7	132000001	Waaierblad	36	112100046	Lagedrukschakelaar
8	108920014	Frontpaneel montage	37	113030180	4-wegklep naar wisselaar
9	112200136	Pijp temp. Sensor T3	38	113060185	Gasbuis
10	113190007	Sensorhuispijp	39	113090085	Wisselaar naar capillair
11	113190001	Klem	40	112200138	Water uit temp. Sensor T2
12	133030011	Controllerkast	41	108010025	Wisselaar sensor temperatuursensor
13	117020087	Controller	42	133020026	Rubberring op wateraansluiting
14	113712007	Controller deksel	43	112200133	Water in temp. sensor T1
15	108920013	Voorpaneel	44	102050005	Wateraansluitsets
16	108920016	Basislade	45	102050005	Wateraansluiting
17	102041042	Titanium warmtewisselaar	46	133020011	Blauwe rubberen ring
18	110000039	Kabelconnector	47	133020012	Rode rubberen ring
19	136020134	Rubberen ring	48	112100021	Waterstroomschakelaar
20	106000011	Manometer	49	108020044	Elektrische deksel
21	103000250	Collectieve leidingen	50	112200064	Transformator
22	103000250	Leidingen voor distributie	51	108010008	Condensatorclip
23	108920009	Isolatiepaneel	52	111300013	Compressorcondensator
24	108920012	Zijpaneel	53	111300002	Ventilatorcondensator
25	108920010	Achterpaneel	54	108920015	Elektrische doos
26	112200141	Omgevingstemp. sensor T5	55	11220183	PCB
27	133020010	Omgevingstemp. sensor clip	56	115000060	2-zits terminal
28	121000035	4-weg klep	57	115000002	3-zits terminal
29	121000036	Vierwegventielspoel	58	136010004	Klem

Modellen: FSN-08 / FSN-11



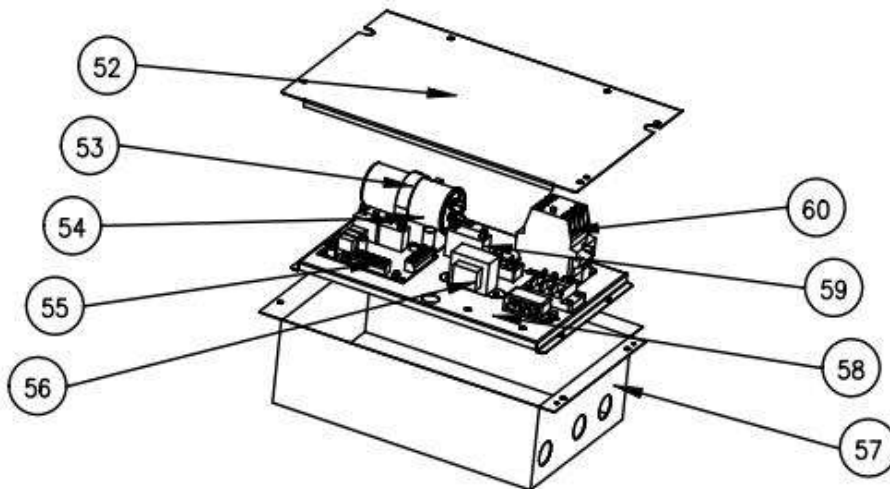
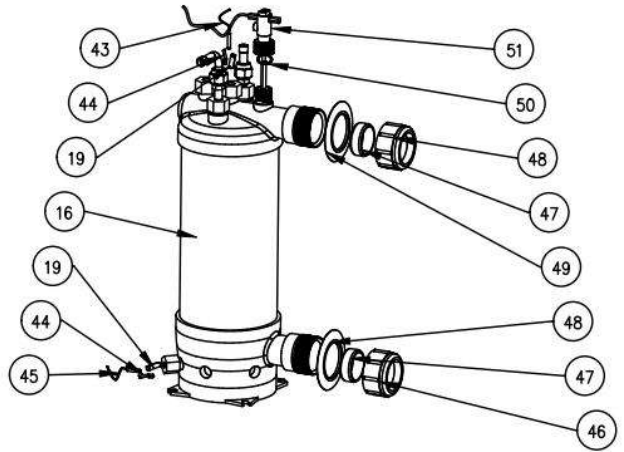
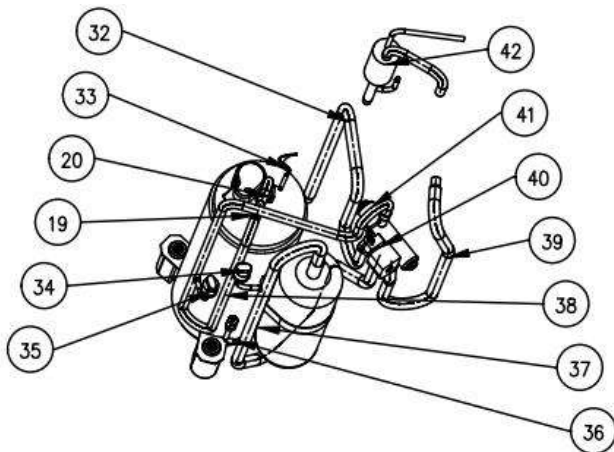
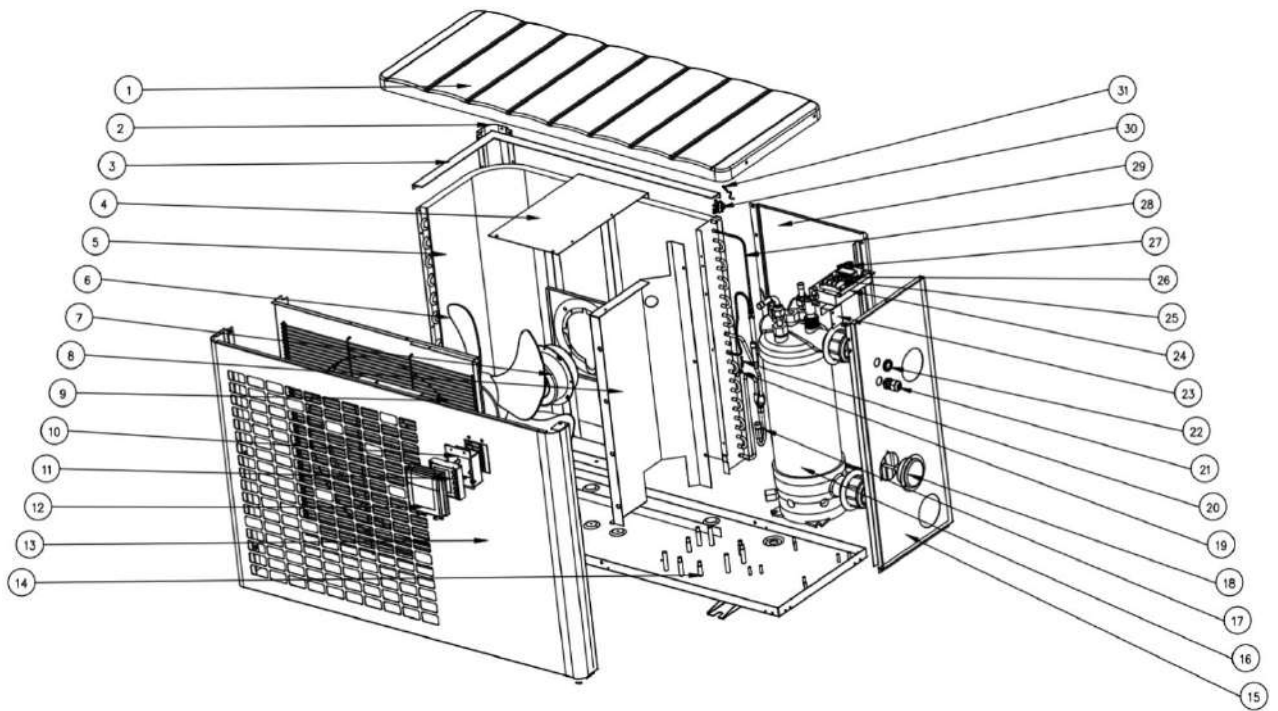
Spare parts list: FSN-08

NO	ERP	Spare parts	NO	ERP	Spare parts
1	133430003	Bovenklep	30	133020010	Omgevingstemp. sensor clip
2	108900016	Elektrische reksteunplaat	31	112200141	Omgevingstemp. sensor T5
3	108900021	Pijler	32	121000034	4-weg klep
4	108900011	Ventilatormotorbeugel	33	121000037	Vierwegventielspoel
5	103000311	Verdamper	34	112100046	Lagedrukschakelaar
6	108900010	Isolatiepaneel	35	113030168	4-wegklep naar wisselaar
7	108900024	Frontpaneel montage	36	113030169	4-wegklep naar wisselaar
8	112000069	Ventilatormotor	37	120000097	Gas klep
9	113600007	Waaierblad	38	113020528	Gas retourleidingen
10	133030011	Controllerkast	39	112100030	Hogedrukschakelaar
11	117020087	Controller	40	113010379	Uitlaat
12	113712007	Controller deksel	41	113060174	Gasbuis
13	108900022	Voorpaneel	42	113090090	Wisselaar naar capillair
14	102041049	Titanium warmtewisselaar	43	112200138	Water uit temp. Sensor T2
15	108900001	Basislade	44	108010025	Wisselaar sensor temperatuursensor
16	110000039	Kabelconnector	45	133020026	Ruberring op wateraansluiting
17	108900023	Zijpaneel	46	133020012	Rode rubberen ring
18	106000011	Manometer	47	102050015	Wateraansluitsets
19	103000311	Collectieve leidingen	48	133020011	Blauwe rubberen ring
20	103000311	Leidingen voor distributie	49	112200133	Water in temp. sensor T1
21	113190001	Klem	50	112100021	Waterstroomschakelaar
22	113190007	Sensorhuispijp	51	108140063	Elektrische deksel
23	112200136	Pijp temp. Sensor T3	52	111300018	Compressorcondensator
24	108900020	Achterpaneel	53	108010007	Condensatorclip
25	108900017	Steunplaat voor bedradingsbox	54	112200064	Transformator
26	108030240	Bedradingsdoos	55	108140061	Elektrische doos
27	115000002	3-zits terminal	56	108140062	Elektrische doosraad
28	136010004	Klem	57	111300002	Ventilatorcondensator
29	115000060	2-zits terminal	58	11220183	PCB

Spare parts list: FSN-11

NO	ERP	Spare parts	NO	ERP	Spare parts
1	133430003	Bovenklep	30	133020010	Omgevingstemp. sensor clip
2	108900016	Elektrische reksteunplaat	31	112200141	Omgevingstemp. sensor T5
3	108900021	Pijler	32	121000034	4-weg klep
4	108900011	Ventilatormotorbeugel	33	121000037	Vierwegventielspoel
5	103000310	Verdamper	34	112100046	Lagedrukschakelaar
6	108900010	Isolatiepaneel	35	113030168	4-wegklep naar wisselaar
7	108900024	Frontpaneel montage	36	113030169	4-wegklep naar wisselaar
8	112000069	Ventilatormotor	37	120000097	Gas klep
9	113600007	Waaierblad	38	113020525	Gas retourleidingen
10	133030011	Controllerkast	39	112100030	Hogedrukschakelaar
11	117020087	Controller	40	113010377	Uitlaat
12	113712007	Controller deksel	41	113060173	Gasbuis
13	108900022	Voorpaneel	42	113090090	Wisselaar naar capillair
14	102041050	Titanium warmtewisselaar	43	112200138	Water uit temp. Sensor T2
15	108900001	Basislade	44	108010025	Wisselaar sensor temperatuursensor
16	110000039	Kabelconnector	45	133020026	Ruberring op wateraansluiting
17	108900023	Zijpaneel	46	133020012	Rode rubberen ring
18	106000011	Manometer	47	102050015	Wateraansluitsets
19	103000310	Collectieve leidingen	48	133020011	Blauwe rubberen ring
20	103000310	Leidingen voor distributie	49	112200133	Water in temp. sensor T1
21	113190001	Klem	50	112100021	Waterstroomschakelaar
22	113190007	Sensorhuispijp	51	108140063	Elektrische deksel
23	112200136	Pijp temp. Sensor T3	52	111300018	Compressorcondensator
24	108900020	Achterpaneel	53	108010007	Condensatorclip
25	108900017	Steunplaat voor bedradingsbox	54	112200064	Transformator
26	108030240	Bedradingsdoos	55	108140061	Elektrische doos
27	115000002	3-zits terminal	56	108140062	Elektrische doosraad
28	136010004	Klem	57	111300002	Ventilatorcondensator
29	115000060	2-zits terminal	58	11220183	PCB

Modellen: FSN-14 / FSN-17



Spare parts list: FSN-14

NO	ERP	Spare parts	NO	ERP	Spare parts
1	133410002	Bovenklep	31	112200141	Omgevingstemp. sensor T5
2	108050132	Pijler	32	113060099	Gasbuis
3	108050208	Elektrische reksteunplaat	33	112200136	Pijp temp. Sensor T3
4	108050212	Ventilatormotorbeugel	34	112100030	Manometer
5	103000201	Verdamper	35	112100046	Lagedrukschakelaar
6	113600010	Waaierblad	36	120000097	Gas klep
7	112000070	Ventilatormotor	37	113020392	Gas retourleidingen
8	108050211	Isolatiepaneel	38	113010283	Uitlaat
9	108050213	Frontpaneel montage	39	113030098	4-wegklep naar wisselaar
10	133030011	Controllerkast	40	121000037	Vierwegventielspoel
11	117020087	Controller	41	121000028	4-weg klep
12	113712007	Controller deksel	42	113090066	Wisselaar naar capillair
13	108050214	Voorpaneel	43	112200138	Water uit temp. Sensor T2
14	108050209	Basislade	44	108010025	Wisselaar sensor temperatuursensor
15	108050210	Zijpaneel	45	112200133	Water in temp. sensor T1
16	102040994	Titanium warmtewisselaar	46	102050005	Wateraansluitsets
17	103000201	Collectieve leidingen	47	102050005	Wateraansluiting
18	106000011	Manometer	48	133020011	Blauwe rubberen ring
19	113190001	Klem	49	133020012	Rode rubberen ring
20	113190007	Sensorhuispijp	50	133020026	Rubberring op wateraansluiting
21	110000039	Kabelconnector	51	112100021	Waterstroomschakelaar
22	136020119	Rubberen ring	52	108110011	Elektrische deksel
23	108050215	Steunplaat voor bedradingsbox	53	108010007	Condensatorclip
24	108030240	Bedradingsdoos	54	111000020	Compressorcondensator
25	115000002	3-zits terminal	55	11220182	PCB
26	136010004	Klem	56	112200064	Transformator
27	115000060	2-zits terminal	57	108050192	Elektrische doos
28	103000201	Leidingen voor distributie	58	108050193	Elektrische doosraad
29	108050195	Achterpaneel	59	111000006	Ventilatorcondensator
30	133020010	Omgevingstemp. sensor clip	60	104000001	WISSELAAR AC

Spare parts list: FSN-17

NO	ERP	Spare parts	NO	ERP	Spare parts
1	133410002	Bovenklep	31	112200141	Omgevingstemp. sensor T5
2	108050132	Pijler	32	113060099	Gasbuis
3	108050208	Elektrische reksteunplaat	33	112200136	Pijp temp. Sensor T3
4	108050212	Ventilatormotorbeugel	34	112100030	Manometer
5	103000202	Verdamper	35	112100046	Lagedrukschakelaar
6	113600010	Waaierblad	36	120000097	Gas klep
7	112000070	Ventilatormotor	37	113020591	Gas retourleidingen
8	108050211	Isolatiepaneel	38	113020632	Uitlaat
9	108050213	Frontpaneel montage	39	113030098	4-wegklep naar wisselaar
10	133030011	Controllerkast	40	121000037	Vierwegventielspoel
11	117020087	Controller	41	121000028	4-weg klep
12	113712007	Controller deksel	42	113090095	Wisselaar naar capillair
13	108050214	Voorpaneel	43	112200138	Water uit temp. Sensor T2
14	108050225	Basislade	44	108010025	Wisselaar sensor temperatuursensor
15	108050210	Zijpaneel	45	112200133	Water in temp. sensor T1
16	102041068	Titanium warmtewisselaar	46	102050005	Watersluitsets
17	103000202	Collectieve leidingen	47	102050005	Watersluiting
18	106000011	Manometer	48	133020011	Blauwe rubberen ring
19	113190001	Klem	49	133020012	Rode rubberen ring
20	113190007	Sensorhuispijp	50	133020026	Ruberring op watersluiting
21	110000039	Kabelconnector	51	112100021	Waterstroomschakelaar
22	136020119	Rubberen ring	52	108110011	Elektrische deksel
23	108050215	Steunplaat voor bedradingsbox	53	108010007	Condensatorclip
24	108030240	Bedradingsdoos	54	111000020	Compressorcondensator
25	115000002	3-zits terminal	55	11220182	PCB
26	136010004	Klem	56	112200064	Transformator
27	115000060	2-zits terminal	57	108050192	Elektrische doos
28	103000202	Leidingen voor distributie	58	108050193	Elektrische doosraad
29	108050195	Achterpaneel	59	111000006	Ventilatorcondensator
30	133020010	Omgevingstemp. sensor clip	60	104000001	WISSELAAR AC

9. Onderhoud

Waarschuwing!

-Voordat u onderhoudswerkzaamheden aan het apparaat uitvoert, moet u de stroomtoevoer onderbreken, aangezien er een risico op elektrische schokken bestaat, wat materiële schade, ernstig letsel of zelfs de dood kan veroorzaken.

- Het wordt aanbevolen dat het apparaat ten minste eenmaal per jaar een algemeen onderhoud ondergaat om de goede werking te garanderen, de prestaties te handhaven en eventuele storingen te voorkomen. Deze handelingen worden op kosten van de gebruiker uitgevoerd door een gekwalificeerde technicus. Voor onderhoud uitgevoerd door een gekwalificeerde technicus.

-voor onderhoud dat moet worden uitgevoerd door een gekwalificeerde technicus, leest u de veiligheidsinstructies op de vorige pagina's in het hoofdstuk "onderhoud: waarschuwingen voor apparaten die R32-koelmiddel bevatten" voordat u een van de hieronder beschreven onderhoudswerkzaamheden uitvoert.

(1) U moet het water voorziening systeem regelmatig controleren om te voorkomen dat lucht het systeem binnentreedt en lage water doorvoer voorkomen, omdat het de prestaties en betrouwbaarheid van het HP apparaat kan verminderen.

(2) Reinig uw zwembaden en filter systeem regelmatig om schade aan het apparaat te vermijden als een resultaat van een vuil of verstopt filter.

(3) In omgekeerde manier, moet u controleren dat het apparaat volledig met water gevuld is voordat u het apparaat weer opnieuw opstart.

(4) Nadat het apparaat gereedgemaakt is voor het winterseizoen, is het beter om het te beschermen met een speciale winter verwarming pomp.

(5) Wanneer het apparaat werkt, is er de gehele tijd een klein water verlies onder het apparaat.




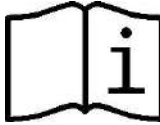
(6) R32 druk en temperatuur in kaart brengen van tafel.

Staat	Uitschakelen			
Omgevingstemperatuur	- 5-5 °C	5-15 °C	15-25 °C	25-35 °C
Water temperatuur	/	/	/	/
Gauge lezen	0.68-0.93 MPa	0.93-1.25 MPa	1.25-1.64 MPa	1.64-2.1 MPa

Staat	Hardlopen (verwarming)				
Omgevingstemperatuur	/	/	/	/	/
Water temperatuur	10-15 °C	15-20 °C	20-25 °C	25-30 °C	30-35 °C
Gauge lezen	1.3-1.8 MPa	1.5-1.9 MPa	1.6-2.3 MPa	1.9-2.8 MPa	2.1-3.5 MPa

(7) Tap het water in de warmtepomp altijd af tijdens de winter of wanneer de omgevingstemperatuur onder 0 °C daalt, anders raakt de titaniumwisselaar beschadigd door bevriezing. In dat geval vervalt uw garantie.



	Este símbolo mostra que informações como o Manual de Operações ou Manual de Instalação estão disponíveis.		Este símbolo indica que este aparelho utiliza R32, um refrigerante de baixa velocidade de combustão.
	Este símbolo indica que o Manual de Utilização deve ser lido com atenção.		Este símbolo indica que um técnico de manutenção deve manusear este equipamento de acordo com o Manual de Instalação.

AVISOS GERAIS

- O não cumprimento dos avisos pode causar danos ao equipamento da piscina, ferimentos graves, ou mesmo a morte.
- Apenas um profissional qualificado nos domínios técnicos correspondentes (eletricidade, hidráulica ou refrigeração), está habilitado a executar a manutenção ou a reparação do aparelho. O técnico qualificado que intervém no aparelho deve utilizar/usar um equipamento de proteção individual (tais como óculos de segurança, luvas de proteção, etc...) para reduzir todo o risco de ferimento que pode ocorrer aquando da intervenção no aparelho.
- Antes de qualquer intervenção no aparelho, certifique-se de se encontra fora de tensão e isolado.
- Este aparelho não está previsto ser utilizado por pessoas (incluindo crianças, de 8 anos ou mais) inexperientes ou cujas capacidades físicas, sensoriais ou mentais sejam reduzidas, salvo: se for utilizado sob vigilância ou com instruções de utilização dadas por uma pessoa responsável pela sua segurança; e se elas compreenderem os riscos incorridos. As crianças devem ser vigiadas para assegurar-se de que não brinquem com o aparelho.
- A instalação do aparelho deve ser realizada em conformidade com as instruções do fabricante e no respeito das normas locais e nacionais em vigor. O instalador é responsável pela instalação do aparelho e pelo cumprimento das regulamentações nacionais em matéria de instalação. Em caso algum o fabricante poderá ser considerado responsável no caso do não cumprimento das normas de instalação locais em vigor.
- Para qualquer outra ação diferente da simples conservação pelo utilizador descrita neste manual, o produto deve ser conservado por um profissional qualificado.
- Toda a instalação e/ou utilização incorreta pode provocar prejuízos materiais ou corporais graves (podendo causar a morte).
- No caso de um mau funcionamento do aparelho: não tentar reparar por si mesmo o aparelho, e contactar um técnico qualificado.
- Toda a desativação, eliminação ou contorno de um dos elementos de segurança integrados ao aparelho anula automaticamente a garantia, assim como a utilização de peças de substituição provenientes de um fabricante terceiro não autorizado.
- Não vaporizar inseticida nem outro produto químico (inflamável ou não) sobre o aparelho, porque esses produtos podem deteriorar a carroçaria e provocar um incêndio.
- Não tocar no ventilador nem nas peças móveis e não inserir objetos ou os seus dedos na proximidade das peças móveis quando o aparelho estiver em funcionamento. As peças móveis podem causar ferimentos

graves ou mesmo a morte.

- Por favor, mantenha o controlador do visor em uma área seca ou feche bem a tampa de isolamento para proteger o controlador do visor de ser danificado pela umidade.

AVISOS LIGADOS A APARELHOS ELÉTRICOS

- A alimentação elétrica do aparelho deve ser protegida por um dispositivo de proteção de corrente diferencial residual (DDR) de 30 mA dedicado, em conformidade com as normas em vigor do país de instalação.
- Não utilizar uma extensão para ligar o aparelho; ligá-lo diretamente a um circuito de alimentação adaptado.
- Antes de qualquer operação, verificar que:
A tensão indicada na placa sinalética do aparelho corresponde efetivamente à da rede,
A rede de alimentação é adequada à utilização do aparelho e dispõe de uma ligação à terra,
A ficha de alimentação (se aplicável) adapta-se à tomada de corrente.
- Não desligar e ligar o aparelho durante o seu funcionamento.
- Não puxar o cabo de alimentação para o desligar.
- Se o cabo de alimentação estiver deteriorado, deverá imperativamente ser substituído pelo fabricante, o seu agente de manutenção ou uma outra pessoa qualificada, para garantir a segurança.
- Não realizar a conservação ou a manutenção do aparelho com as mãos molhadas ou se o aparelho estiver molhado.
- Antes de conectar o aparelho à fonte de alimentação, certificar-se de que o bloco de terminais ou a tomada ao qual o aparelho será conectado está em bom estado e não está deteriorado nem enferrujado.
- Em caso de tempestade, desligar o aparelho para evitar que seja deteriorado pelos raios.
- Não imergir o aparelho em água nem em lama ;

ADVERTÊNCIAS LIGADAS AOS APARELHOS QUE CONTÉM REFRIGERANTE R32

- O refrigerante R32 é um refrigerante de categoria A2L, que é considerado como potencialmente inflamável.
- Não descarregar o fluido R32 na atmosfera. Este fluido é um gás fluorado com efeito de estufa, coberto pelo protocolo de Quioto, com um Potencial de aquecimento global (GWP) = 675 (regulamentação europeia UE 517/2014).
- O aparelho deve ser armazenado num local bem ventilado afastado de qualquer fonte de chama.
- Instalar a unidade no exterior. Não instalar a unidade no interior ou num local fechado e não ventilado no exterior.
- Não utilizar meios de aceleração do processo de degelo ou de limpeza que não sejam os recomendados pelo fabricante.
- O aparelho deve ser armazenado num local sem fonte de faíscas em funcionamento permanente (por exemplo: chamas ao ar livre, aparelho a gás em funcionamento ou aquecimento elétrico em funcionamento).
- Não o perfurar, nem incinerar.
- O refrigerante R32 pode emitir um certo odor.
- A fim de cumprir as normas e regulamentos aplicáveis em termos de ambiente e instalação, em particular o decreto francês n.º 2015-1790 e / ou o regulamento europeu UE 517/2014, um teste de vazamento deve ser realizado no circuito de refrigeração pelo menos uma vez por ano. Esta operação deve ser realizada por um especialista certificado para testar aparelhos de refrigeração.
- Mantenha o controlador de tela em uma área seca ou feche bem a tampa de isolamento para proteger o controlador de tela de ser danificado pela umidade.

MANUTENÇÃO: AVISOS RELATIVOS AOS APARELHOS QUE CONTÉM REFRIGERANTE R32

- Durante a fase de conservação do aparelho, a composição e o estado do fluido condutor de calor serão controlados, assim como a ausência de vestígios de refrigerante.
- Durante o controlo anual da estanqueidade do aparelho, de acordo com as leis em vigor, verificar que os pressostatos de alta e baixa pressão estão corretamente ligados ao circuito frigorífico e que o circuito elétrico é cortado em caso de desengate.
- Durante a fase de manutenção, certifique-se de que não há sinais de corrosão ou manchas de óleo em torno dos componentes frigoríficos.
- Não solde ou solde o tubo se houver refrigerante dentro da máquina. Não carregue o gás quando estiver em um espaço confinado.

Verificação da zona

- Antes de começar a trabalhar em sistemas que contêm fluidos frigorígenos inflamáveis, controlos de segurança são necessários para garantir que o risco de faíscas seja reduzido.

Procedimento de trabalho

- Os trabalhos devem ser efetuados segundo um procedimento controlado para reduzir o risco de libertação de um gás ou vapor inflamável durante os trabalhos.
- Antes de todas as intervenções no circuito frigorífico, é imperativo parar o aparelho e aguardar alguns minutos antes da instalação de sensores de temperatura ou de pressão, porque certos equipamentos como o compressor e as tubagens podem atingir temperaturas superiores a 100°C e pressões elevadas que poderiam provocar queimaduras graves

Zona geral de trabalho

- Todo o pessoal de manutenção e as outras pessoas que trabalham na zona próxima devem ser mantidas ao corrente dos trabalhos efetuados. Trabalhos em espaços confinados devem ser evitados.

Verificação da presença de refrigerante

- A zona deve ser objeto de uma verificação por um detetor de refrigerante apropriado antes e durante os trabalhos, para que o técnico seja avisado da presença de uma atmosfera potencialmente tóxica ou inflamável. Assegurar-se de que o equipamento de deteção de fugas utilizado é adaptado à utilização com todos os refrigerantes concernidos, ou seja que não pode provocar faíscas, está corretamente isolado ou é perfeitamente seguro.

Presença de um extintor

- Se trabalhos que implicam uma certa temperatura devem ser efetuados no equipamento frigorífico ou sobre qualquer peça associada, um equipamento de extinção dos incêndios apropriado deve encontrar-se à mão. Colocar um extintor de pó ou CO₂ na proximidade da zona de trabalho.

Ausência de fonte de ignição

- Toda pessoa que efetuar trabalhos num sistema frigorífico e que tenha de expor as tubagens não deverá utilizar qualquer fonte de faíscas suscetível de representar um risco de incêndio ou explosão. Todas as possíveis fontes de faísca, nomeadamente cigarros, devem ser mantidas suficientemente longe do local de instalação, reparação, retirada ou eliminação, quando uma libertação de refrigerante no espaço circundante é potencialmente possível. Antes dos trabalhos, a zona em torno do equipamento deve ser examinada para assegurar que não comporta riscos de incêndio ou de faísca. Cartazes “É proibido fumar” devem ser afixados.

Ventilação da zona

- Antes de aceder à unidade de qualquer maneira com a intenção de executar qualquer tarefa de manutenção, verifique se a área está aberta e bem ventilada. Ventilação adequada deve ser fornecida durante toda a tarefa de manutenção para permitir que qualquer refrigerante que possa ser liberado na

atmosfera seja disperso com segurança.

Verificação do equipamento de refrigeração

- As recomendações do fabricante em matéria de conservação e manutenção devem sempre ser respeitadas. Aquando da substituição de componentes elétricos, assegurar-se da utilização de componentes do mesmo tipo e da mesma categoria, que sejam recomendados/aprovados pelo fabricante. Em caso de dúvida, consultar a assistência técnica do fabricante para obter ajuda.

- As seguintes verificações devem ser aplicadas às instalações que utilizam refrigerantes inflamáveis: as marcações no equipamento devem permanecer visíveis e legíveis, todo sinal ou marcação ilegível deve ser corrigido;

os tubos ou componentes frigoríficos são instalados numa posição em que é pouco provável que sejam expostos a qualquer substância que possa corroer os componentes que contém refrigerantes, a menos que esses componentes sejam fabricados com materiais normalmente resistentes à corrosão ou corretamente protegidos contra tal corrosão.

Verificação dos componentes elétricos

- A reparação e a manutenção dos componentes elétricos devem comportar controlos de segurança iniciais e procedimentos de inspeção dos componentes. Caso ocorra uma falha que possa comprometer a segurança, nenhuma alimentação elétrica deverá ser conectada ao circuito até que esta falha seja inteiramente resolvida. Se a falha não puder ser corrigida imediatamente, mas seja necessário continuar os trabalhos, uma solução temporária adaptada deverá ser encontrada. Este facto deve ser sinalizado ao proprietário do equipamento para que todas as pessoas envolvidas sejam avisadas.

- A reparação e a manutenção dos componentes elétricos devem comportar os seguintes controlos de segurança iniciais:

os condensadores estão descarregados: isto deve ser efetuado com toda a segurança para evitar qualquer possibilidade de faísca;

nenhum componente elétrico e nenhum cabo alimentado é exposto durante a carga, o acondicionamento ou a purga do sistema;

a ligação à terra deve estar presente em contínuo.

Reparação nos componentes isolados

- Aquando de reparações de componentes isolados, todas as alimentações elétricas devem ser desconectadas do equipamento no qual serão efetuados os trabalhos, antes de qualquer remoção da tampa de isolamento, etc. Se o equipamento deve absolutamente ser alimentado com eletricidade durante a conservação, um dispositivo de deteção de fugas funcionando em permanência deve ser posicionado no ponto mais crítico para sinalizar qualquer situação potencialmente perigosa.

- Convém prestar uma atenção particular aos seguintes pontos, para garantir que durante os trabalhos em componentes elétricos, a caixa não seja alterada a ponto de afetar o nível de proteção. Isto deve incluir cabos deteriorados, um número excessivo de ligações, terminais não conformes às características de origem, juntas deterioradas, a instalação incorreta dos prensa-cabos, etc.

- Certificar-se de que o aparelho está corretamente fixado.

- Certifique-se de que as juntas ou os materiais de isolamento não estão degradados a ponto de deixarem de impedir que uma atmosfera inflamável penetre no circuito. As peças sobresselentes devem estar em conformidade com as características do fabricante.

Reparação dos componentes intrinsecamente seguros

- Não aplicar nenhuma carga de indução ou de capacidade elétrica permanente ao circuito sem se certificar de que esta não excede a tensão e a intensidade autorizadas para o equipamento em curso de utilização.

- Os componentes normalmente seguros são os únicos tipos de componentes sobre os quais é possível trabalhar na presença de uma atmosfera inflamável enquanto são alimentados. O aparelho de teste deve pertencer à classe adaptada.

- Substituir os componentes unicamente por peças especificadas pelo fabricante. Outras peças poderiam inflamar o refrigerante na atmosfera devido a uma fuga.

Cablagem

- Verificar que a cablagem não apresenta desgaste, corrosão, pressão excessiva,
- vibração, bordo cortante ou qualquer outro efeito ambiental negativo. O controlo deve igualmente ter em conta os efeitos do envelhecimento ou de vibrações contínuas provocadas por fontes como compressores ou ventiladores.

Deteção de fluido refrigerante inflamável

- Em caso algum fontes potenciais de faísca devem ser utilizadas para a busca ou deteção de fugas de refrigerante. Não utilizar uma lâmpada halóide (ou qualquer outro detetor que utilize uma chama nua).
- Os seguintes métodos de deteção de fuga são considerados como aceitáveis para todos os sistemas frigoríficos.
- Os detetores de fuga eletrónicos podem ser utilizados para detetar fugas de refrigerante, mas no caso de refrigerantes inflamáveis, é possível que a sensibilidade não seja adaptada ou necessite uma nova calibração. (O equipamento de deteção deve ser calibrado num local que não comporte nenhum refrigerante.) Certificar-se de que o detetor não é uma potencial fonte de faísca e é adaptado ao refrigerante utilizado. O equipamento de deteção de fugas deve ser ajustado a uma percentagem do LFL do refrigerante e deve ser calibrado em função do refrigerante utilizado. A percentagem de gás apropriada (25 % no máximo) deve ser confirmada.
- Os fluidos de deteção de fugas são igualmente adaptados à utilização com a maioria dos refrigerantes, mas a utilização de detergentes contendo cloro deve ser evitada, pois poderiam reagir com o refrigerante e corroer as tubagens em cobre.
- Se houver uma suspeita de fuga, todas as chamas nuas devem ser suprimidas/apagadas.
- Se uma fuga de refrigerante foi detetada e necessita uma brasagem, todo o refrigerante deve ser retirado do sistema ou isolado (através de válvulas de fecho) numa parte do sistema afastada da fuga.

Retirada e evacuação

- Quando de um acesso ao circuito frigorífico para efetuar reparações, ou por qualquer outro motivo, procedimentos convencionais devem ser utilizados. No entanto, para refrigerantes inflamáveis, é essencial seguir as recomendações porque a inflamabilidade deve ser tida em conta. O seguinte procedimento deve ser respeitado:

retirar o refrigerante;

purgar o circuito com um gás inerte (facultativo para o A2L);

evacuar (facultativo para o A2L);

purgar com um gás inerte (facultativo para o A2L);

abrir o circuito por corte ou soldagem.

- A carga de refrigerante deve ser recuperada nas garrafas de recuperação apropriadas. Para aparelhos que contenham refrigerantes inflamáveis outros que os refrigerantes A2L, o sistema deve ser purgado com azoto isento de oxigénio para tornar o aparelho apto a receber refrigerantes inflamáveis. Pode ser necessário repetir este processo várias vezes. Ar comprimido ou oxigénio não devem ser utilizados para purgar sistemas frigoríficos.

Procedimentos de carregamento

- Assegure-se de que a saída da bomba de vácuo não se encontra na proximidade de qualquer fonte potencial de faísca e de que uma ventilação está disponível.
- Além dos procedimentos de carregamento convencionais, as seguintes exigências devem ser respeitadas:
- Assegure-se de que nenhuma contaminação entre diferentes refrigerantes é possível durante a utilização de um equipamento de carga. Os tubos flexíveis e as linhas devem ser tão curtos quanto possível para reduzir a quantidade de refrigerante que contém.

- As garrafas devem ser mantidas numa posição apropriada, conforme as instruções.
- Assegure-se de que o sistema frigorífico está ligado à terra antes de carregar o sistema com refrigerante.
- Etiquetar o sistema uma vez efetuada a carga (se já não for o caso).
- Prestar particularmente atenção para não encher demasiado o sistema frigorífico.
- Antes de recarregar o sistema, um teste com pressão deve ser efetuado com um gás de purga apropriado. O sistema deve ser examinado quanto à ausência de fuga no fim da carga, mas antes da colocação em serviço. Um teste de fuga de acompanhamento deve ser efetuado antes de sair do local.

Desmantelamento

• Antes de efetuar um procedimento de desmantelamento, é indispensável que o técnico esteja bem familiarizado com o equipamento e as suas características. É particularmente recomendado recuperar cuidadosamente a integralidade dos refrigerantes. Antes de efetuar esta tarefa, uma amostra de óleo e de refrigerante deve ser recuperada, caso análises se revelem necessárias antes de uma outra utilização do refrigerante recuperado. É indispensável verificar a presença de uma alimentação elétrica antes de iniciar a tarefa.

1. Familiarizar-se com o equipamento e o seu funcionamento.

2. Isolar eletricamente o sistema.

3. Antes de iniciar o procedimento, assegurar-se dos seguintes pontos:

um equipamento de movimentação mecânica está disponível, se necessário, para manipular as garrafas de refrigerante;

todo o equipamento de proteção individual está disponível e é corretamente utilizado;

o processo de recuperação é acompanhado o tempo todo por uma pessoa competente;

O equipamento e as garrafas de recuperação estão em conformidade com as normas aplicáveis.

4. Evacuar o sistema frigorífico, se possível.

5. Se um vácuo não puder ser criado, instalar um coletor para poder retirar o refrigerante a partir de várias localizações do sistema.

6. Assegurar-se de que a garrafa se encontra sobre as balanças antes de começar as operações de recuperação.

7. Fazer arrancar a máquina de recuperação e fazê-la funcionar em conformidade com as instruções.

8. Não encher excessivamente as garrafas (não mais de 80 % do volume de carga líquida).

9. Não exceder a pressão máxima de funcionamento da garrafa, mesmo temporariamente.

10. Quando as garrafas tiverem sido corretamente cheias e o processo estiver terminado, assegurar-se de que as garrafas e o equipamento sejam rapidamente removidos do local e as válvulas de isolamento alternativas do equipamento sejam fechadas.

11. O refrigerante recuperado não deve ser carregado num outro sistema frigorífico, a menos que tenha sido limpo e controlado.

RESOLUÇÃO DE PROBLEMAS

• Qualquer intervenção de soldagem deve ser realizada por soldadores qualificados.

• A substituição de tubagens só poderá ser efetuada com tubos em cobre em conformidade com a norma NF EN 12735-1.

• Deteção de fugas, caso de teste sob pressão:

nunca utilizar oxigénio ou ar seco, riscos de incêndio ou explosão,

utilizar azoto desidratado ou uma mistura de azoto e do refrigerante indicado na placa sinalética,

a pressão do teste dos lados baixa e alta pressão não deve exceder 42 bar, caso o aparelho esteja equipado com a opção manómetro.

• Para as tubagens do circuito de alta pressão realizadas com tubos em cobre de um diâmetro = ou > a 1"5/8, um certificado §2.1 segundo a norma NF EN 10204 deverá ser pedido ao fornecedor e conservado na documentação técnica da instalação.

- As informações técnicas relativas às exigências de segurança das diferentes diretivas aplicadas estão indicadas na placa sinalética. Todas estas informações devem ser registadas no manual de instalação do aparelho, que deve figurar na documentação técnica da instalação: modelo, código, número de série, TS máximo e mínimo, PS, ano de fabrico, marcação CE, endereço do fabricante, refrigerante e peso, parâmetros elétricos, performance termodinâmica e acústica.

ETIQUETAGEM

- O equipamento deve ser etiquetado, com uma menção indicando que foi posto fora de serviço e que o fluido frigorígeno foi drenado.
- A etiqueta deve ser datada e assinada.
- Para os aparelhos que contém um fluido frigorígeno inflamável, prestar atenção a que etiquetas sejam apostas no equipamento, indicando que contém um refrigerante inflamável.

RECUPERAÇÃO

- Aquando da drenagem do refrigerante, para a conservação ou a colocação fora de serviço, é recomendado seguir as boas práticas para drenar a integralidade do refrigerante com toda a segurança.
- Aquando da transferência de refrigerante a uma garrafa, utilizar uma garrafa de recuperação adaptada ao refrigerante. Prever o número adequado de garrafas para recuperar a integralidade do fluido. Todas as garrafas a utilizar devem ser concebidas para a recuperação de refrigerante e devem ser etiquetadas para este refrigerante específico. As garrafas devem ser equipadas com uma válvula de depressão e válvulas de retenção em bom estado de funcionamento. As garrafas de recuperação vazias são evacuadas e, se possível, arrefecidas antes da recuperação.

- O equipamento de recuperação deve estar em bom estado de funcionamento, as instruções de utilização do equipamento devem estar acessíveis e o equipamento deve ser adaptado ao refrigerante em questão, e se for o caso, ao refrigerante inflamável. Além disso, um conjunto de balanças calibradas deve estar disponível e em bom estado de funcionamento. Os tubos devem estar completos, não apresentar fugas nem uniões desconectadas, e devem estar em bom estado. Antes de utilizar a máquina de recuperação, verificar que ela está em bom estado de funcionamento, que foi bem conservada e os componentes elétricos associados

foram tornados estanques para evitar qualquer início de incêndio em caso de liberação de refrigerante. Em caso de dúvida, consultar o fabricante.

- O refrigerante recuperado deve ser enviado ao fornecedor de refrigerante na sua garrafa de recuperação, com uma nota de transferência de resíduos. Não misturar diferentes fluidos frigorígenos nas unidades de recuperação, e em particular nas garrafas.

- Se o compressor for desmontado ou se o óleo do compressor for drenado, verificar que o refrigerante foi devidamente evacuado para que não se misture com

o lubrificante. O processo de drenagem deve ser realizado antes de reenviar o compressor ao fornecedor. Unicamente o aquecimento elétrico do corpo do compressor pode ser utilizado para acelerar este processo. Quando qualquer líquido de um sistema for drenado, esta operação deve ser realizada com toda a segurança.



Reciclagem

Este símbolo, requerido pela diretiva europeia DEEE 2012/19/UE (diretiva relativa aos resíduos de equipamentos elétricos e eletrónicos) significa que o seu aparelho não deve ser posto no lixo. Ele será objeto de uma recolha seletiva com vistas à sua reutilização, reciclagem ou valorização. Se contiver substâncias potencialmente perigosas para o meio ambiente, estas serão eliminadas ou neutralizadas. Informe-se junto do seu revendedor sobre as modalidades de reciclagem.

FSN ON/OFF -5°C

Manual do Usuário e de Serviço

ÍNDICE

1. Especificações
2. Dimensão
3. Instalação e conexão
4. Acessórios
5. Fiação elétrica
6. Operação do controlador de exibição
7. Resolução de problemas
8. Diagrama Explodido
9. Manutenção

Obrigado por usar nossa bomba de calor na piscina para o aquecimento da piscina, ele vai aquecer a água da sua piscina e manter a temperatura constante quando a temperatura ambiente do ar estiver entre -5 e 43 °C

 **ATENÇÃO:** Este manual inclui todas as informações necessárias com o uso ea instalação da sua bomba de calor.

O instalador deve ler o manual e seguir atentamente as instruções de implementação e manutenção. Continue a transmitir este manual para mais tarde durante a vida útil do aparelho.

O instalador é responsável pela instalação do produto e deve seguir todas as instruções do fabricante e os regulamentos em aplicação. A instalação incorrecta contra o manual implica a exclusão da totalidade da garantia.

O fabricante declina qualquer responsabilidade pelos danos causados com as pessoas, objectos e dos erros devidos à instalação que desobedecem à orientação manual. Qualquer utilização que esteja sem conformidade na origem da sua fabricação será considerada como perigosa.

1. Especificações

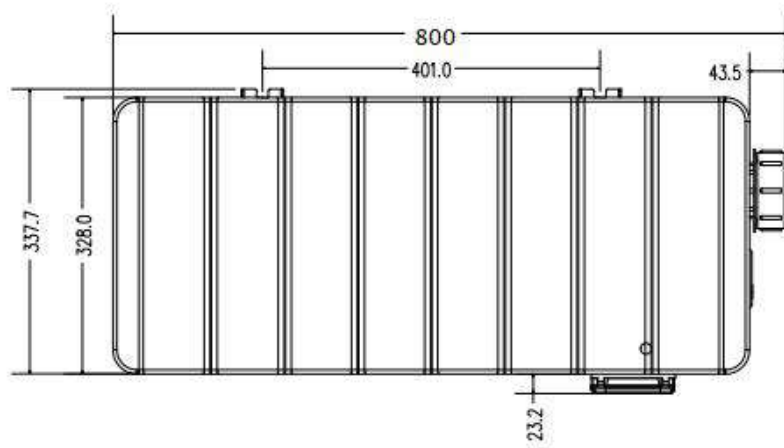
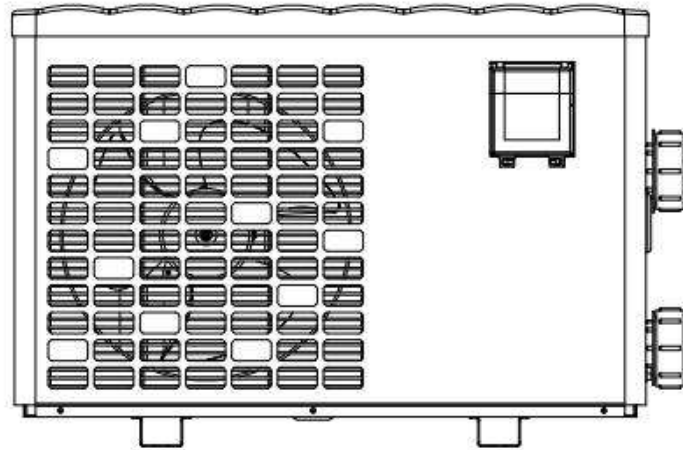
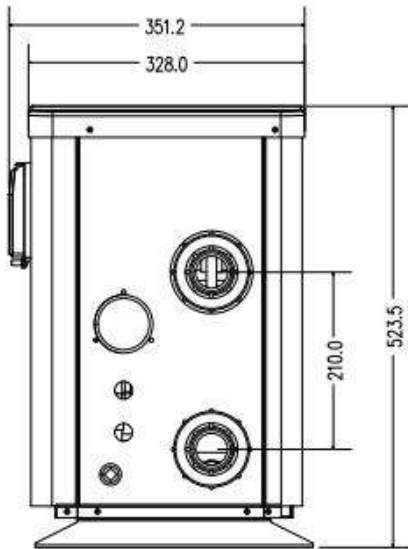
1.1 Dados técnicos

Modelo		74143	74144	74145	74146	74147
Código		FSN-05	FSN-08	FSN-11	FSN-14	FSN-17
* Desempenho no ar 28 °C, água 28 °C, umidade 80%						
Saída de calor	kW	5	7.5	11	14	16.5
Entrada de energia	kW	1	1.4	2.2	2.6	2.9
COP		5	5.4	5	5.4	5.7
* Desempenho no ar 15 °C, água 26 °C, umidade 70%						
Saída de calor	kW	3.5	5.5	7.5	9.5	11.5
Entrada de energia	kW	0.9	1.3	1.8	2.3	2.50
COP		4	4.4	4.3	4.2	4.6
* Fonte de energia						
Compressor		Rottierend				
Voltagem	V	220-240V/50Hz/1PH				
Corrente nominal	A	4.3	6.0	9.4	11.1	12.8
Corrente do fusível	A	12	17	26	31	35
Fluxo de água recomendado	m ³ /h	2.5~3.2	2.5~3.7	3.5~7.1	4~7.9	4.6~9.3
Maximum drukverlies	Kpa	12	12	15	15	15
Trocador de calor		Twisted Titanium exchanger in PVC				
Tubulação de água in-out spec	mm	50				
Quantidade de ventilador		1				
Tipo de ventilação		Horizontal				
Nível de ruído a 10m	dB(A)	31	32	35	37	37
Nível de ruído a 1m	dB(A)	49	50	52	54	54
Quantidade de refrigerante	g	400	550	950	1000	1000
CO2 equivalente	Tonne	0.27	0.37	0.64	0.68	0.68
* Dimension/Weight						
Peso líquido	Kg	38	48	54	72	76
Peso bruto	Kg	40	50	56	76	84
Dimensão da rede	mm	800*360.9*523.5	977.6*396.2*571.5		1102.3*432.7*703.7	
Dimensão da Embalagem	mm	875*385*560	1055*420*605		1125*490*728	

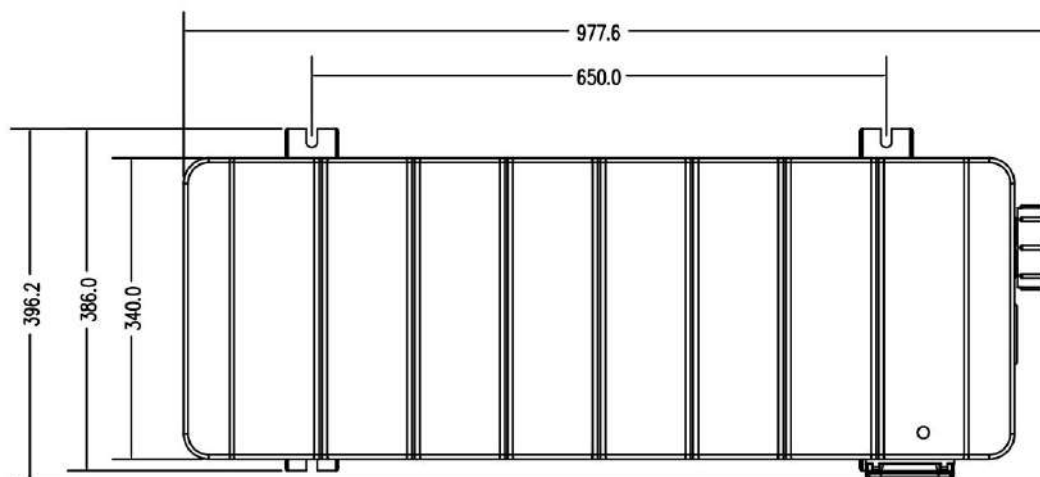
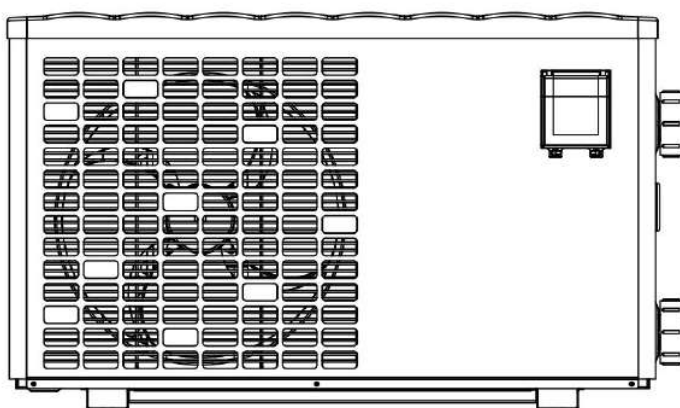
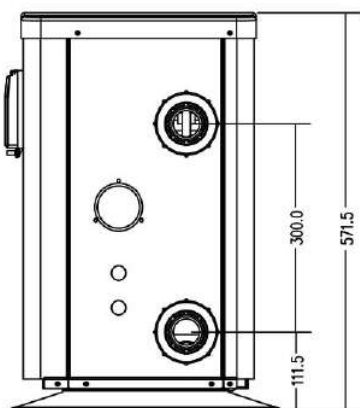
* Os dados acima estão sujeitos a modificação sem aviso prévio.

2. Dimensão (mm)

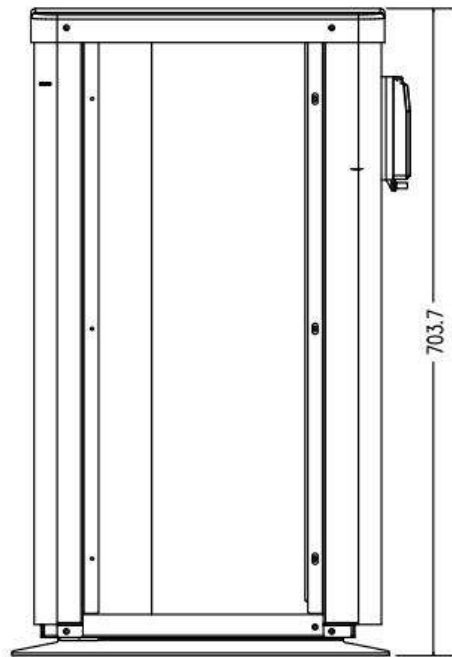
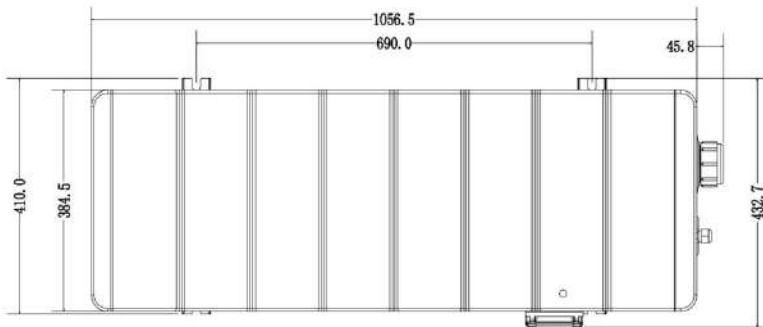
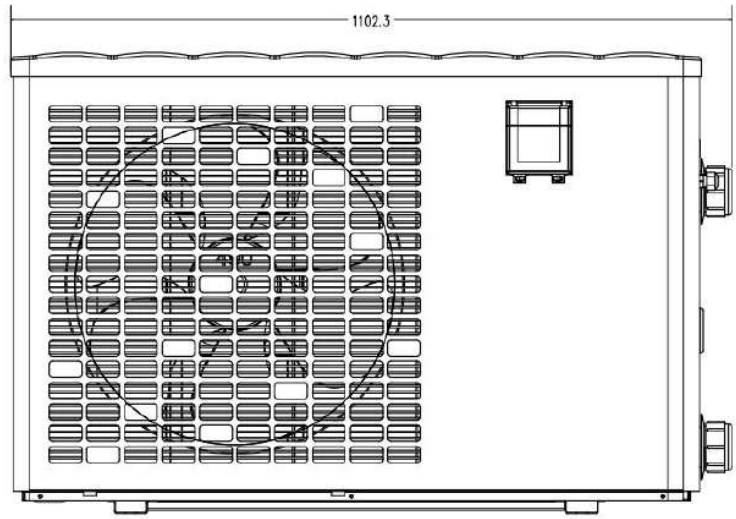
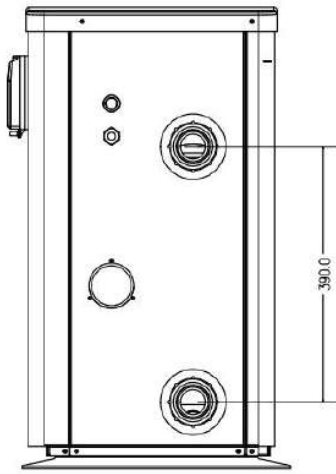
Modelo :FSN-05



Modelo :FSN-08 & FSN-11



Modelo :FSN-14 & FSN-17



3.Instalação e conexão

3.1 Notas

A fábrica fornece apenas a bomba de calor. Todos os outros componentes, incluindo um bypass se necessário, devem ser fornecidos pelo usuário ou pelo instalador.

Atenção:

Observe as seguintes regras ao instalar a bomba de calor:

- 1.Qualquer adição de produtos químicos deve ter lugar na tubagem situada a **jusante** da bomba de calor..
- 2.Instale uma derivação se o fluxo de água da bomba da piscina for superior a 20% maior do que o fluxo permissível através do permutador de calor da bomba de calor.
- 3.Instale a bomba de calor acima do nível da água da piscina..
- 4.Sempre coloque a bomba de calor sobre uma base sólida e use os suportes de borracha incluídos para evitar vibrações e ruídos.
- 5.Sempre mantenha a bomba de calor na posição vertical. Se a unidade tiver sido mantida em ângulo, aguarde pelo menos 24 horas antes de iniciar a bomba de calor.

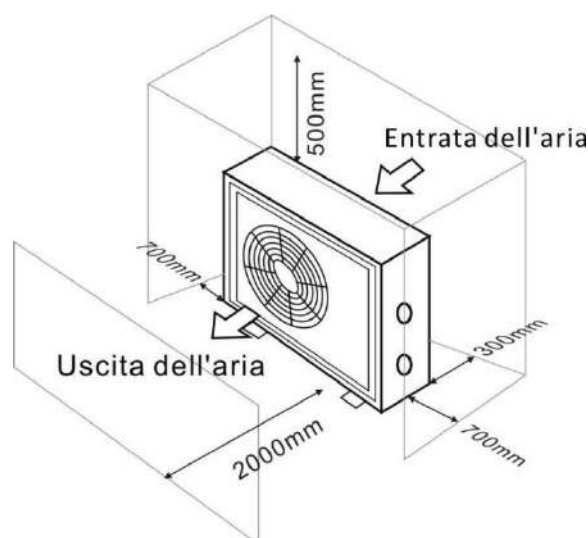
3.2 Localização da bomba de calor

A unidade funcionará adequadamente em qualquer local desejado, desde que os três itens a seguir estejam presentes:

1. Ar fresco – 2. Eletricidade – 3. Filtros de piscina

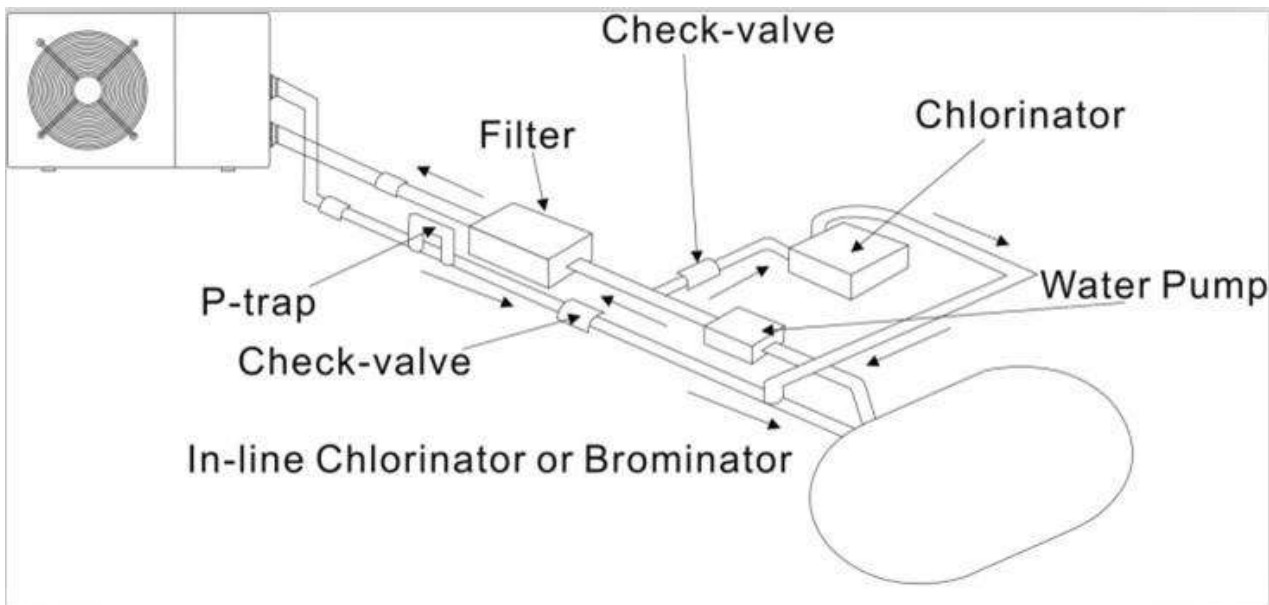
A unidade pode ser instalada em praticamente qualquer local externo, desde que as distâncias mínimas especificadas para outros objetos sejam mantidas (veja o desenho abaixo). Por favor, consulte o seu instalador para a instalação com uma piscina interior. Instalação em um local ventoso não apresenta qualquer problema em tudo, ao contrário da situação com um aquecedor a gás (incluindo problemas chama piloto).

ATENÇÃO: Nunca instale a unidade em uma sala fechada com um volume de ar limitado no qual o ar expulso da unidade será reutilizado ou perto de arbustos que possam bloquear a entrada de ar. Tais locais prejudicam o fornecimento contínuo de ar fresco, resultando em eficiência reduzida e, possivelmente, impedindo a produção de calor suficiente. Veja o desenho abaixo para dimensões mínimas.

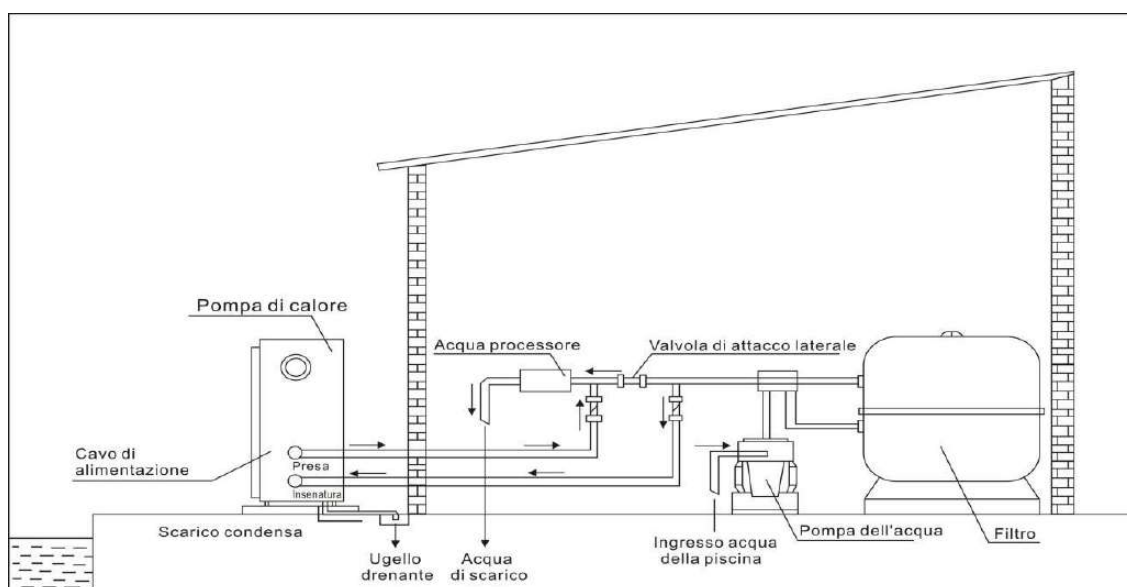


3.3 Instalação da válvula de retenção

Nota: Se for utilizado equipamento de dosagem automática para cloro e acidez (pH), é essencial proteger a bomba de calor contra concentrações químicas excessivamente elevadas que podem corroer o permutador de calor. Por esta razão, os equipamentos deste tipo devem sempre estar instalados na tubagem do lado a **jusante** da bomba de calor e recomenda-se instalar uma válvula de retenção para evitar o fluxo inverso na ausência de circulação de água. Os danos à bomba de calor causados pela não observância desta instrução não são cobertos pela garantia..

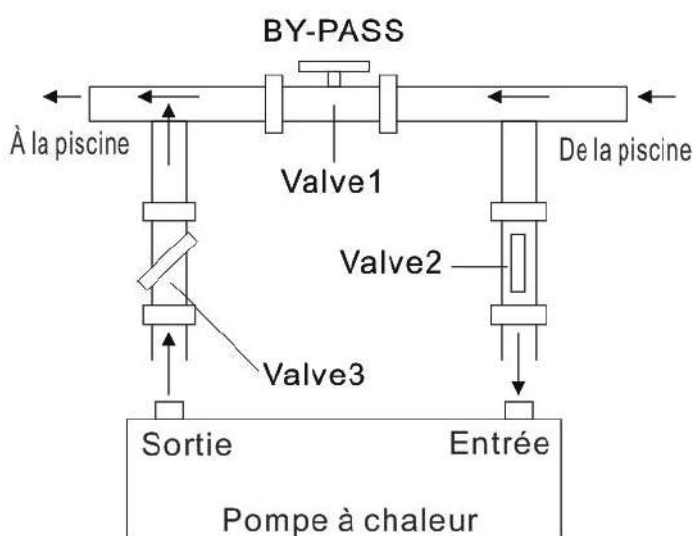


3.4 Disposição típica



Nota: Esta disposição é apenas um exemplo ilustrativo.

3.5 Ajustar o bypass



Por favor, siga as etapas abaixo para ajustar o by-pass:

1. Válvula 1 de largura aberta. Válvula 2 e válvula 3 fechadas.
2. Abra lentamente a válvula 2 e a válvula 3 pela metade, depois feche a válvula 1 lentamente para aumentar o fluxo de água para a válvula 2 e a válvula.
3. Se mostra 'ON' ou 'EE3' em exibição, significa que o fluxo de água na bomba de calor não é suficiente, então você precisa ajustar as válvulas para aumentar o fluxo de água através da bomba de calor.

Como obter o melhor fluxo de água:

Por favor, ative a bomba de calor sob a função de aquecimento, primeiro feche o by-pass e abra-o lentamente para iniciar a bomba de calor (a máquina não pode começar a funcionar quando o fluxo de água é insuficiente).

3.6 Ligação eléctrica

Nota: Embora a bomba de calor seja isolada electricamente do resto do sistema de piscina, isto só impede o fluxo de corrente eléctrica para ou da água na piscina. A aterramento ainda é necessária para proteção contra curto-circuitos dentro da unidade. Sempre forneça uma boa ligação à terra. O instalador deve consultar o fornecedor de energia elétrica se necessário e garantir que o equipamento esteja conectado corretamente a uma rede elétrica com impedância inferior a 0,095 ohm.

Aviso: Antes de qualquer trabalho no interior do eletrodoméstico, você deve cortar o fornecimento de eletricidade do eletrodoméstico, pois há risco de choque elétrico que pode causar danos materiais, ferimentos graves ou até a morte.

- Terminais apertados incorretamente podem fazer com que a caixa de terminais aqueça, o que pode invalidar

A garantia.

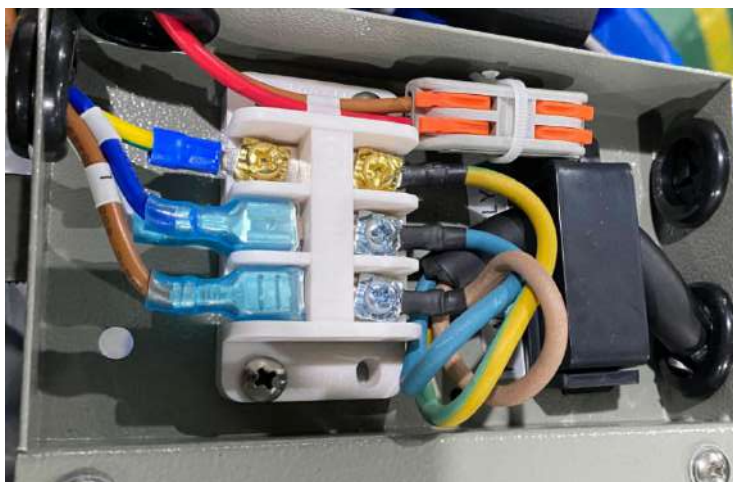
- Apenas um técnico qualificado e experiente está autorizado a realizar o trabalho de cabeamento dentro do aparelho ou para substituir o cabo de alimentação.

Antes de conectar a unidade, verifique se a tensão de alimentação corresponde à tensão de operação da bomba de calor.

Recomenda-se ligar a bomba de calor a um circuito com fusível próprio ou disjuntor (tipo lento; curva D) e utilizar cablagem adequada.

Conecte os fios elétricos ao bloco de terminais marcado 'POWER SUPPLY'.


Um segundo bloco de terminais marcado 'BOMBA DE ÁGUA' está localizado próximo ao primeiro. A bomba do filtro (máx. 5 A 0 V) pode ser conectada ao segundo bloco de terminais aqui. Isso permite que a operação da bomba do filtro seja controlada pela bomba de calor.



3.7 Operação inicial

Nota: Para aquecer a água na piscina (ou banheira de hidromassagem), a bomba do filtro deve estar a funcionar para fazer com que a água circule através da bomba de calor. A bomba de calor não arranca se a água não estiver a circular.

Depois de todas as conexões terem sido feitas e verificadas, execute o seguinte procedimento:

1. Ligar a bomba do filtro. Verifique se há vazamentos e verifique se a água está fluindo de e para a piscina.
2. Ligue a alimentação à bomba de calor e pressione o botão On / Off  no painel de controle eletrônico. A unidade será inicializada após o término do tempo de espera (veja abaixo).
3. Após alguns minutos, verifique se o ar soprado para fora da unidade está mais frio.
4. Quando desligar a bomba do filtro, a unidade também deve desligar automaticamente, se não, então ajuste o interruptor de fluxo.
5. Deixe a bomba de calor e a bomba do filtro funcionarem 24 horas por dia até atingir a temperatura desejada da água. A bomba de calor pára de funcionar neste ponto. Depois disso, ele será reiniciado automaticamente (enquanto a bomba do filtro estiver funcionando) sempre que a temperatura da água da piscina cair 2 graus abaixo da temperatura definida.

Dependendo da temperatura inicial da água na piscina e da temperatura do ar, pode levar vários dias para aquecer a água até a temperatura desejada. Uma cobertura boa piscina pode reduzir drasticamente o tempo necessário.

Interruptor de fluxo de água:

Ele é equipado com um interruptor de fluxo para proteger a unidade HP funcionando com taxa de fluxo de água adequada. Ele se acenderá quando a bomba da piscina é executado e desligá-lo quando a bomba desliga. Se o nível da água da piscina estiver acima de 1 m acima ou abaixo do botão de ajuste automático da bomba de calor, o revendedor poderá precisar ajustar sua inicialização inicial.

Time delay - A bomba de calor tem um atraso de arranque de 3 minutos para proteger os circuitos e evitar o desgaste excessivo do contacto. A unidade será reiniciada automaticamente após este tempo de espera expirar. Mesmo uma breve interrupção de energia irá disparar este atraso de tempo e impedir que a unidade reinicie imediatamente. Interrupções de energia adicionais durante este período de atraso não afetam a duração de 3 minutos do atraso.

3.8 Condensação

O ar aspirado para dentro da bomba de calor é fortemente resfriado pela operação da bomba de calor para aquecer a água da piscina, o que pode causar condensação nas aletas do evaporador. A quantidade de condensação pode ser de até vários litros por hora a uma humidade relativa elevada. Isso às vezes é considerado equivocadamente como um vazamento de água.

4. Acessórios

4.1 Lista de acessórios

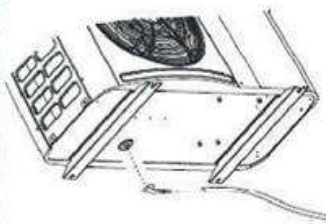
		
Base anti-vibração, 4 peças	Jacto de drenagem, 2 peças	Caixa de impermeável, 1 peça
		
Capa de inverno, 1 peça	Tubos de drenagem, 2 peças	10M Fio de sinal, 1 peça

4.2 Instalação de acessórios



Bases anti-vibração

1. Para viagem 4 bases anti-vibração
2. colocá-los um como yo neon parte inferior da maquina da imagem.



Jet drenando

1. Instale o jato de drenagem sob o painel de fundo
2. Conecte-se com um cano de água para drenar a água.

Nota :. Levante a bomba de calor para instalar o jet Nunca derrubar a bomba de calor, que pode danificar o compressor.



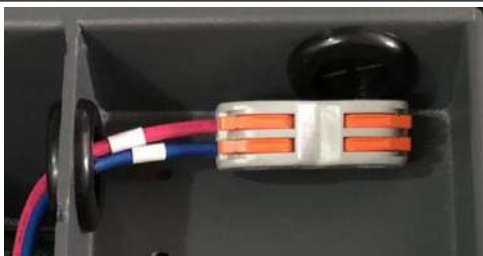
Água entrada e saída de junção

1. Instale as duas articulações como os shows de imagem
2. Screw-los para a água entrada e saída de junção



Kabelbedrading

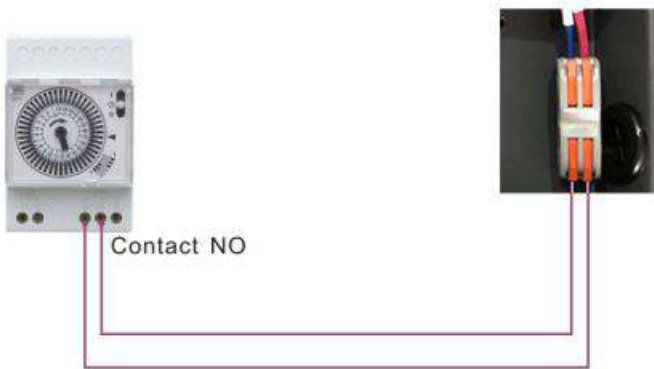
1. Open het deksel van de schakelkast
2. Bevestig de voedingskabel aan de aansluitpunten L N E.



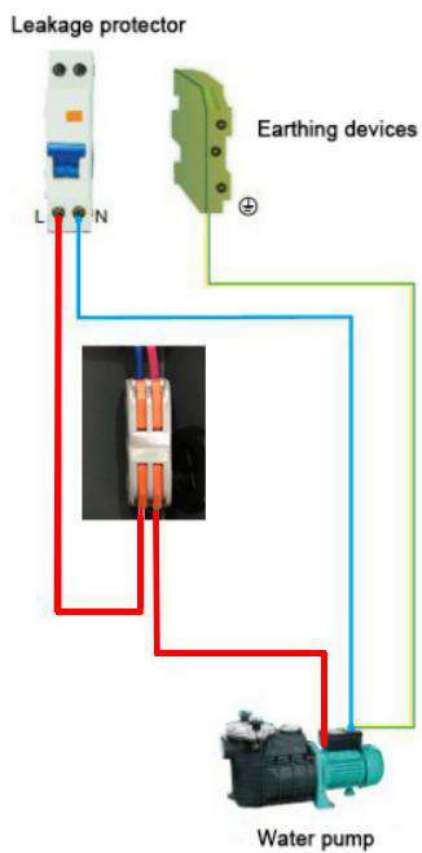
Verkabelung der Wasserpumpe (Trockenkontakt)

1. Öffnen Sie die Abdeckung des Schaltkastens
2. Mit den Anschlüssen 1 und 2 können Sie die Wasserfiltration durch den Timer der Filtration steuern (Trockenkontakt).

Conexão do temporizador de contacto seco Cronômetro



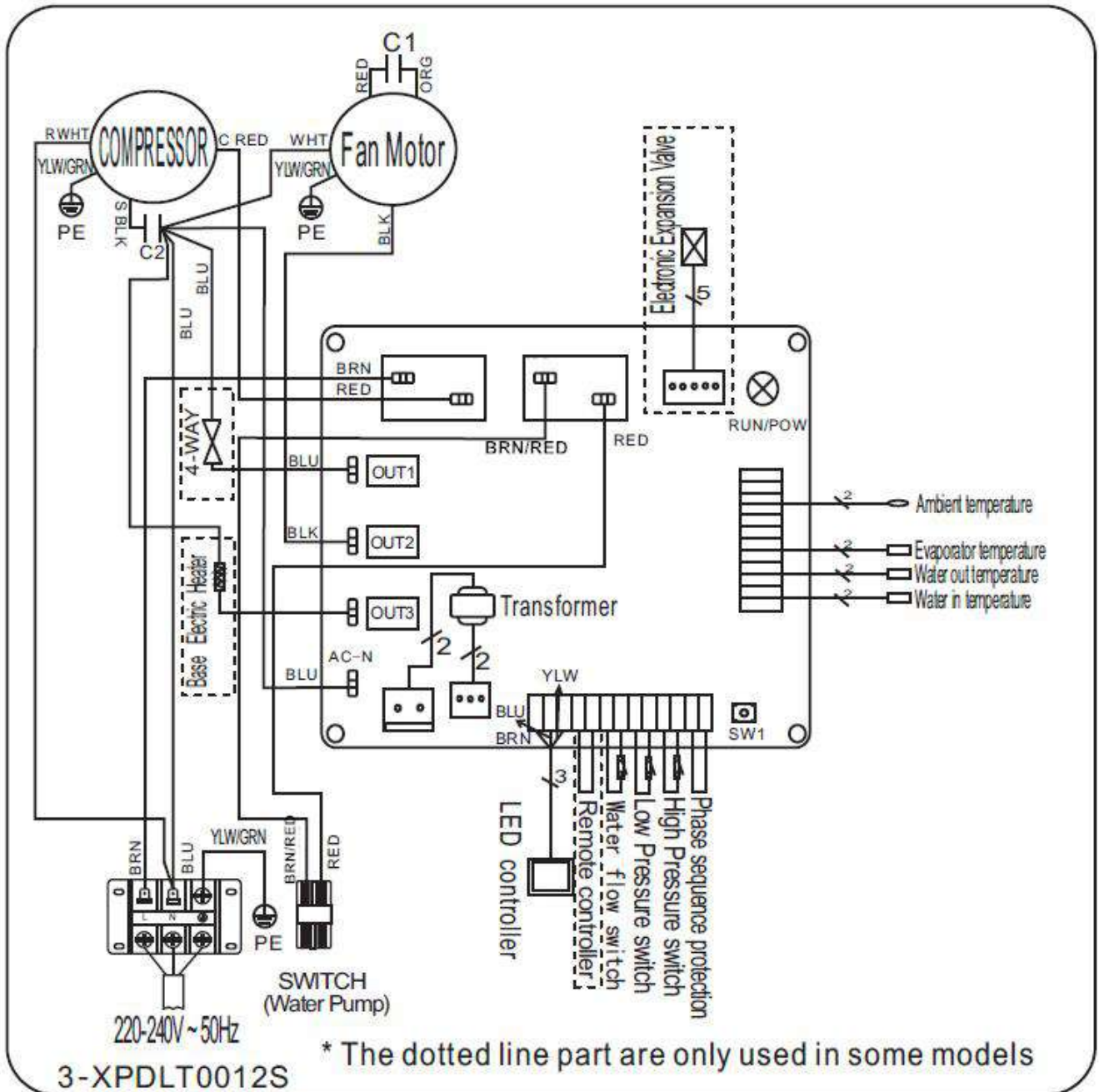
Conexão da bomba de contacto seco



5. Fiação elétrica

5.1 DIAGRAMA DE FIAÇÃO DA BOMBA DE CALOR DA PISCINA

FSN-05 / FSN-08 / FSN-11



FSN-05:

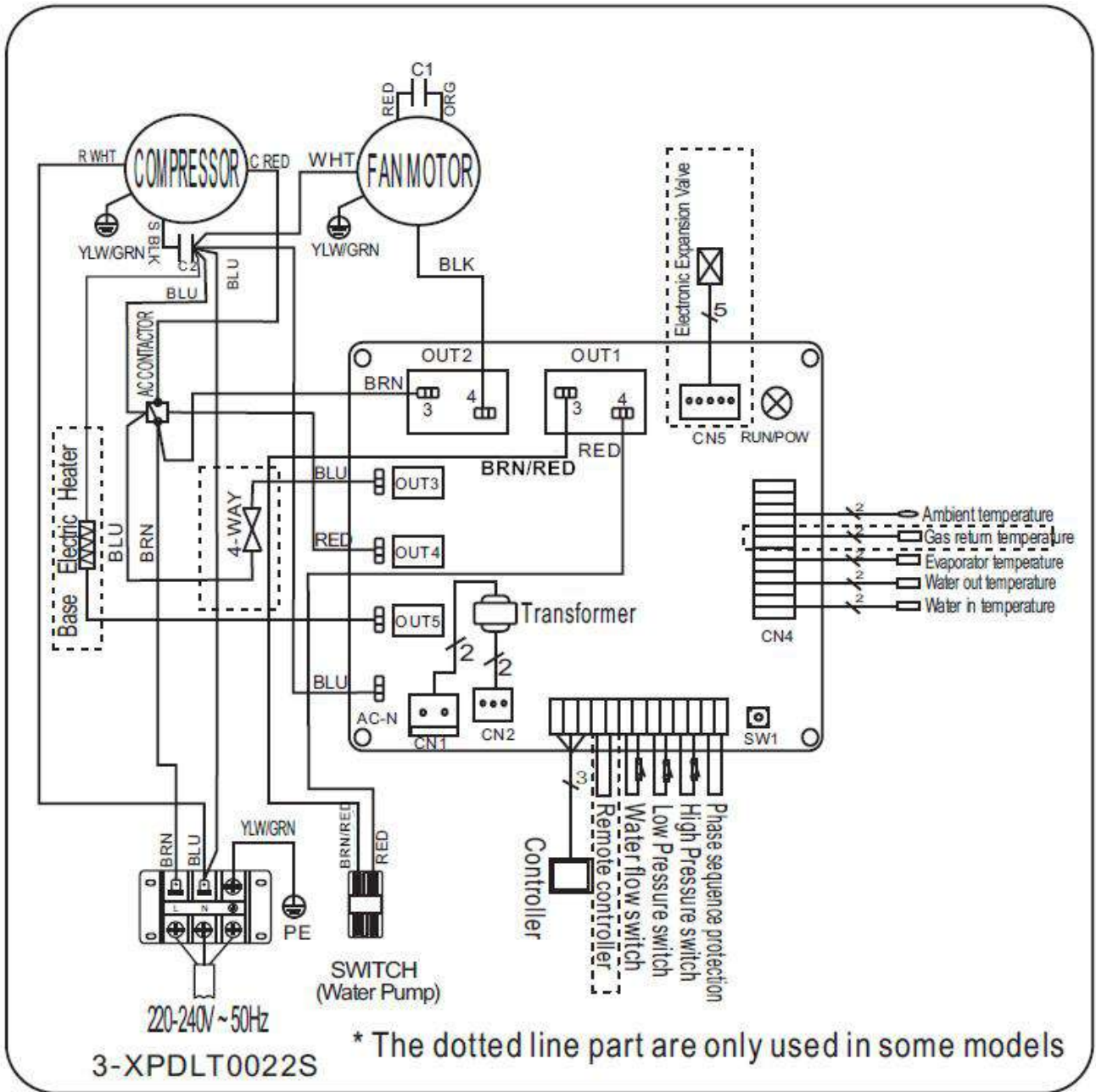
C1 = Capacitor de ventilador = 2uF/450V

C2 = Capacitor de compressor = 35uF/450V

FSN-08 / FSN-11:

C1 = Capacitor de ventilador = 2uF/450V

C2 = Capacitor de compressor = 60uF/450V



FSN-14/ FSN-17:

C1 = Capacitor de ventilador = 6uF/450V

C2 = Capacitor de compressor = 70uF/450V

NOTA:

(1) Acima do diagrama de fiação elétrica somente para sua referência, por favor a máquina sujeita postou o diagrama de fiação.

(2) A bomba de calor da piscina deve ser conectada bem fio terra, embora o trocador de calor da unidade é isolada eletricamente do resto da unidade. Arrastando a unidade ainda é necessária para protegê-lo contra curto-circuitos dentro da unidade. A colagem também é necessária.

Desligar: Os meios de desconexão (disjuntor, fusível ou fusível sem fusível) devem estar localizados à vista e facilmente acessíveis a partir da unidade. Esta é uma prática comum em bombas de calor comerciais e residenciais. Impede a remoção remota de energia de equipamentos desacompanhados e permite desligar a energia na unidade enquanto a unidade está sendo atendida.

5.2 Instalação do display deportado

Foto (1)



Foto (2)



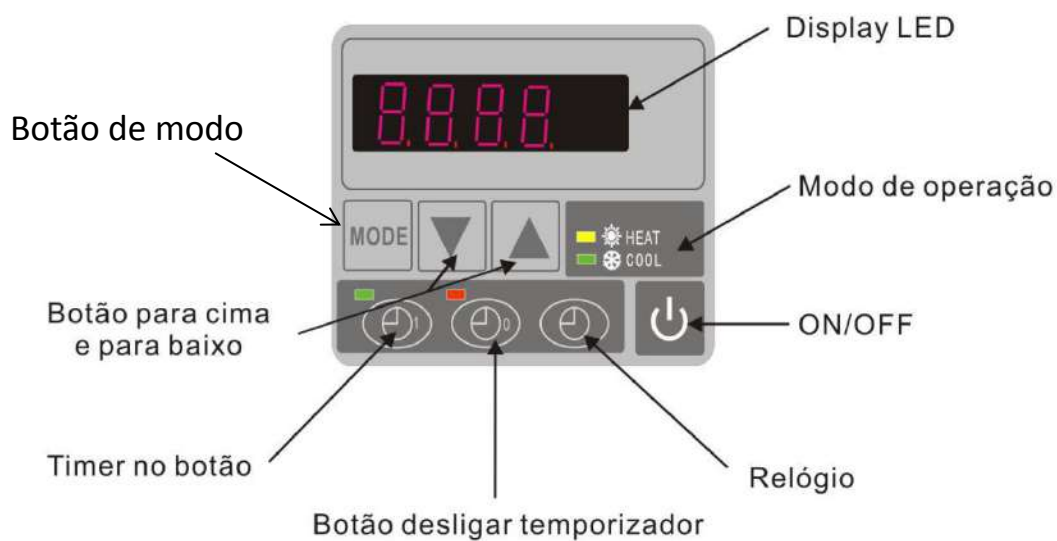
Foto (3)



- Desmontagem e desconexão da placa de controle do conector (foto1)
- Instalação do cabo fornecido (foto 2)
- Passar o cabo pela embalagem de pressão (foto 3) e ligar as portas diretamente

6. Operação do Controlador de Display

6.1 Os botões do controlador de fio LED



Quando a bomba de calor está em funcionamento, o visor LED mostra a temperatura da água de entrada.

Quando a bomba de calor está em modo de espera, o display LED mostra o tempo real.

6.2 Iniciar ou parar a bomba de calor.

Pressione para iniciar a unidade de bomba de calor, o visor LED mostra a temperatura da água desejada por 5 segundos, em seguida, mostra a temperatura da água de entrada.


Pressione para parar a bomba de calor.

6.3 Escolha o modo de aquecimento ou resfriamento:

Pressione até "HEAT" ou "COOL" luz está acesa

6.4 Definir o tempo real

No modo de espera ou de funcionamento, prima e, em seguida, prima ou para ajustar a hora / minuto.

Em seguida, pressione o  novamente para armazenar os novos dados.

Ao definir a hora,  e  não podem funcionar.




6.5 Ajuste da temperatura da água:


No modo de espera ou de funcionamento, prima  e  para ajustar a temperatura da água desejada.

Nota: a bomba de calor pode funcionar apenas se o sistema de circulação / círculo de água estiver em funcionamento.




6.6 Arranque / paragem automática da bomba de calor


Para definir a hora de início da unidade

Pressione  para ajustar a hora para iniciar a unidade, depois pressione  ou  para ajustar a hora (ajuste a hora para o início 5 minutos após a bomba de água).

Pressione  novamente para armazenar os novos dados.

Para definir a hora de parar a unidade

Pressione  para ajustar a hora para parar de correr, então pressione  ou  para ajustar a hora (ajuste a hora para parar 5 minutos antes da bomba de água).

Pressione  novamente para armazenar os novos dados.

6.7 Cancelar o arranque / paragem automáticos

Para cancelar o arranque automático

Pressione , então pressione  ,  luz apagada eo início automático está desligado.

Para cancelar a parada automática

Pressione , e, em seguida, pressione  ,  luz apagada ea parada automática está desligada.




Nota: Se o sistema de filtragem de água pára antes da bomba de calor, a unidade desliga (condição de segurança) e o código EE3 ou ON anuncia no controlador.

É importante programar o link de bomba de calor o programa de tempo do sistema de filtragem de água.



Para reiniciar a bomba de calor, desligue e ligue a fonte de alimentação eléctrica para reiniciar a unidade.




6.8. Definição de dados em execução



6.8.1 Como verificar os parâmetros

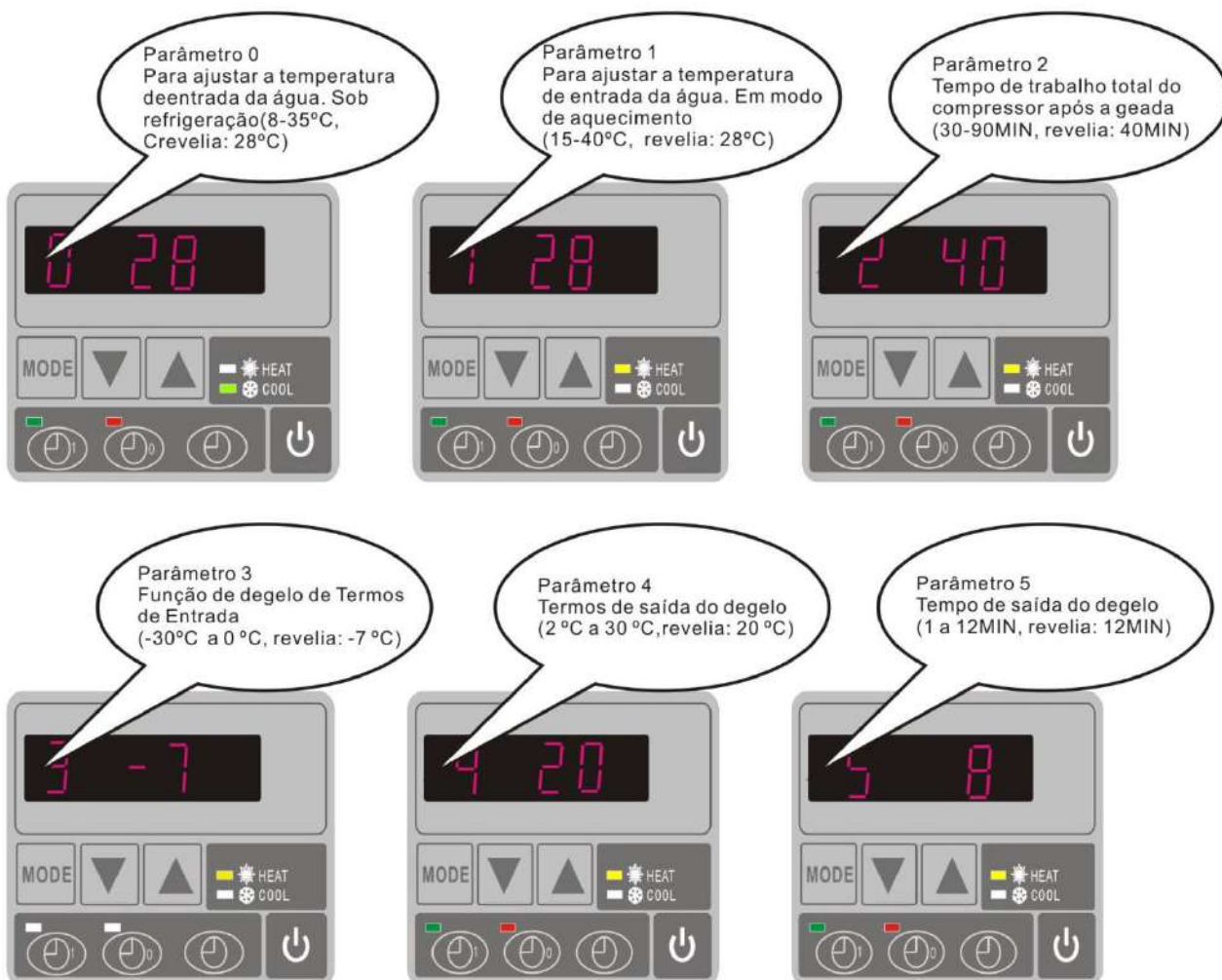
No modo de espera ou de funcionamento, prima longamente  durante 10 segundos e, em seguida, prima  ou  para verificar os parâmetros (de 0 a H, consulte a tabela de parâmetros de operação).

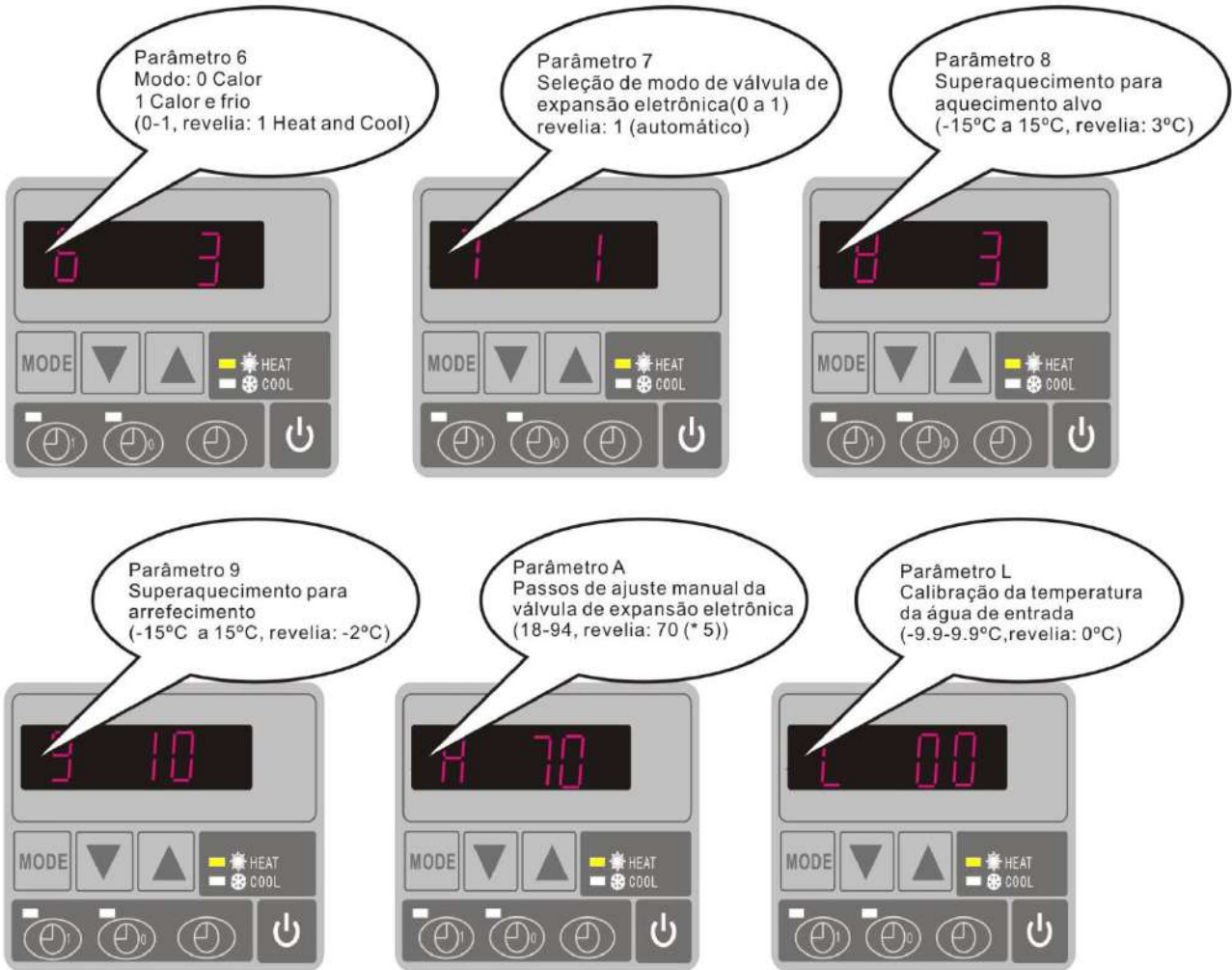
6.8.2 Como ajustar os parâmetros (só pode ser ajustado no modo de espera)

1) Pressione longamente  por 10 segundos, pressione  novamente para seleccionar os dados (de 0 a L, consulte a tabela de parâmetros de operação) que deseja ajustar.

2) Em seguida, pressione  ou  para ajustar o parâmetro, pressione  novamente para armazenar os novos dados.

3) Em seguida, pressione  ou  seleccione os outros dados que deseja ajustar, repita acima da operação.

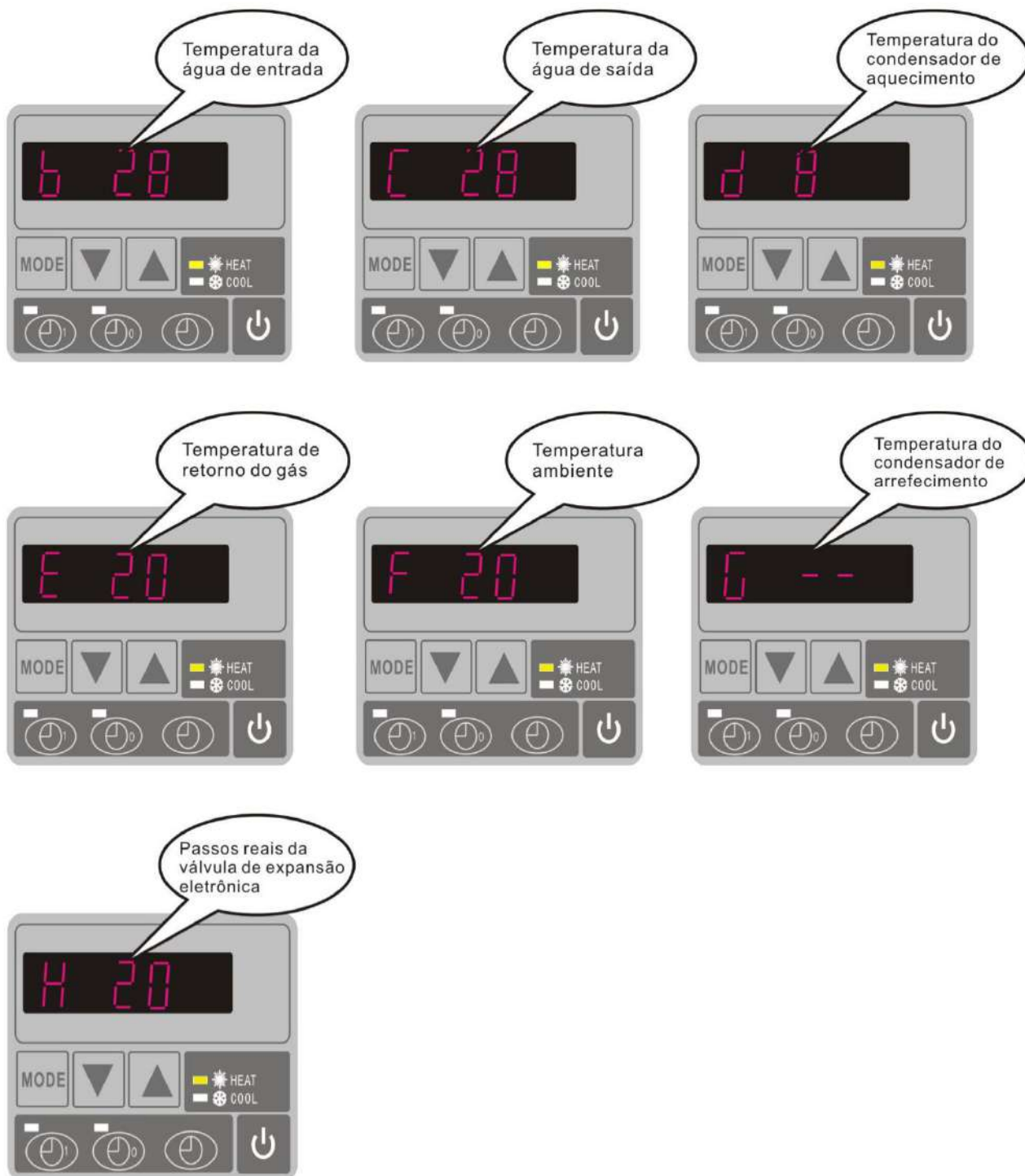




Por gentileza observado:

- A) Pressione "MODE" para escolher o modo (o modo só pode ser alterado para o ajuste "1" ou "2" do parâmetro 6)
- B) Modo pode ser alterado durante a execução
- C) O aquecimento eléctrico auxiliar não é aplicável a estes modos.

6.8.3 Como saber o status atual



Parâmetro	Significado	Alcance	Revelia	Observação
0	Para ajustar a temperatura de entrada da água. Sob refrigeração	8-35°C	28°C	Ajustável
1	Para ajustar a temperatura de entrada da água. Em modo de aquecimento	15-40°C	28°C	Ajustável
2	Tempo de trabalho total do compressor após a geada	30-90MIN	40MIN	Ajustável
3	Função de degelo de Termos de Entrada	-30°C to 0°C	-7°C	Ajustável
4	Termos de saída do degelo	2 to 30°C	20°C	Ajustável
5	Tempo de saída do degelo	1 to 12MIN	12MIN	Ajustável
6	Modo: 0 Calor 1 Calor e frio	0-1	1(Heat and Cool)	Ajustável
7	Seleção de modo de válvula de expansão eletrônica	0-1	1(auto)	Ajustável
8	Superaquecimento para aquecimento alvo	-15°C-15°C	3°C	Ajustável
9	Superaquecimento para arrefecimento	-15°C-15°C	-2 °C	Ajustável
A	Passos de ajuste manual da válvula de expansão eletrônica	18-94	70	Ajustável
B	Temperatura da água de entrada	-9-99°C		Valor do teste
C	Temperatura da água de saída	-9-99°C		Valor do teste
D	Temperatura do condensador de aquecimento	-9-99°C		Valor do teste
E	Temperatura de retorno do gás	-9-99°C		Valor do teste
F	Temperatura ambiente	-9-99°C		Valor do teste
G	Temperatura do condensador de arrefecimento	-9-99°C		Valor do teste
H	Passos reais da válvula de expansão eletrônica	N*5		Valor do teste
L	Calibração da temperatura da água de entrada	-9.9-9.9°C	0°C	Ajustável

Observações:

(1) Quando a HP pára de funcionar em 30 segundos, a bomba de água desliga-se automaticamente








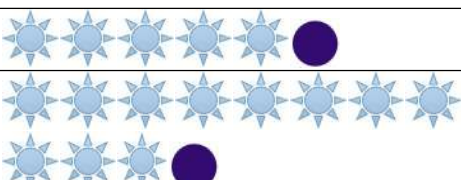



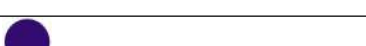


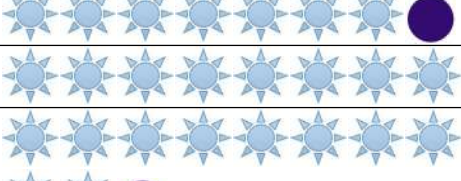

(2) O controlador do fio do diodo emissor de luz pode operar a bomba de água após o cabo adicional conectado ao dispositivo da bomba na posição do terminal da "BOMBA" exatamente.

7. Solução de problemas

7.1 Exibição do código de erro no controlador de fio LED

Storing	Foutcode	Reden	Oplossing
Proteção de baixa temperatura ambiente	PP0	A temperatura ambiente está muito baixa	
Falha no sensor de temperatura da água de entrada	PP1	O sensor está aberto ou em curto-circuito	Controleer of verander de sensor
Falha no sensor de temperatura da água de saída	PP2	O sensor está aberto ou em curto-circuito	Controleer of verander de sensor
Falha do sensor do condensador de aquecimento	PP3	O sensor está aberto ou em curto-circuito	Controleer of verander de sensor
Falha do sensor de retorno de gás	PP4	O sensor está aberto ou em curto-circuito	Bevestigen dat er niets op dit punt, restart
Falha do sensor de temperatura ambiente	PP5	O sensor está aberto ou em curto-circuito	Controleer of verander de sensor
Diferença de temperatura muita proteção de entrada e saída de água	PP6	O volume do fluxo de água não é suficiente	Controleer de waterstroom hoeveelheid of water vastgelopen is of niet
Proteção anticongelante de primeiro grau no inverno	PP7	A temperatura ambiente ou a temperatura de entrada de água está muito baixa	Waterpomp wordt automatisch aangezet voor eerste graad antivries
Proteção anticongelante de segundo grau no inverno	PP7	A temperatura ambiente ou a temperatura de entrada de água está muito baixa	Warmtepomp zal beginnen met verwarmen voor tweede graad antivries
Proteção de alta pressão	EE1	1. 1. Gelado é demais 2. O fluxo de ar não é suficiente	1. Descarregue o refrigerante redundante do sistema de gás HP 2. Limpe o trocador de ar
Proteção de baixa pressão	EE2	1. Koelmiddel is niet genoeg 2. Waterstroom is niet genoeg 3. Filter geblokkeerd of capillair geblokkeerd	1. Verifique se há vazamento de gás, reabasteça o refrigerante 2. Limpe o trocador de ar 3. Substitua o filtro ou capilar
Chave de fluxo fechada	EE3 or "ON"	Fluxo de água baixo, direção de fluxo incorreta ou falha do interruptor de fluxo.	Verifique se há fluxo de água suficiente e fluxo na direção correta, ou então o interruptor de fluxo está quebrado.
Mau funcionamento da diferença de temperatura da água de entrada e saída	EE5	O volume do fluxo de água não é suficiente, a diferença de pressão da água é muito baixa	Quantidade de fluxo de água verificado, se o sistema de água está bloqueado ou não
Falha de comunicação	EE8	A conexão do fio não é boa	Verifique a conexão do fio

7.2 Indicação de falha de PCB

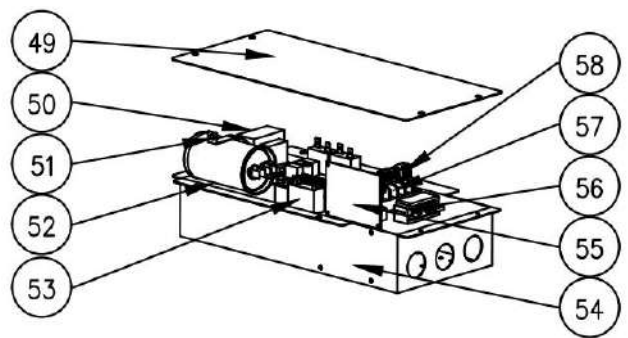
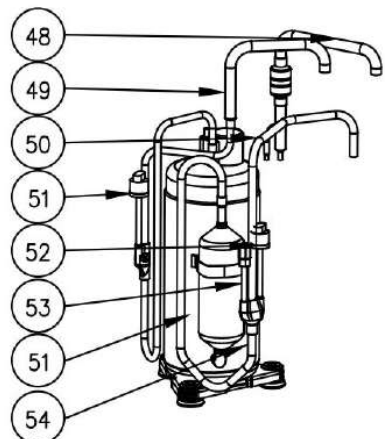
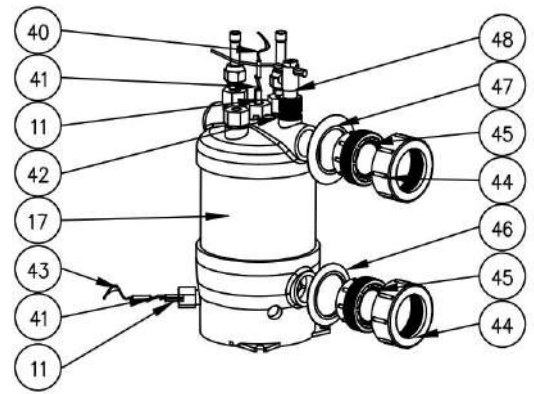
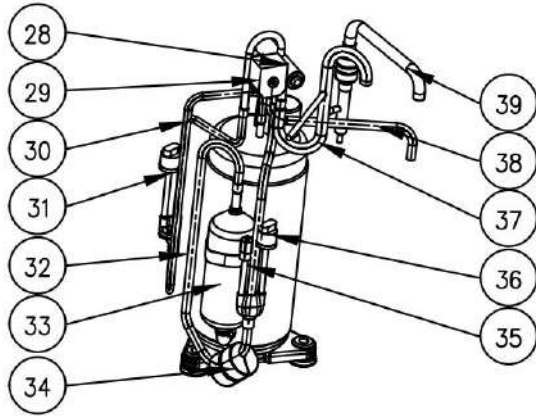
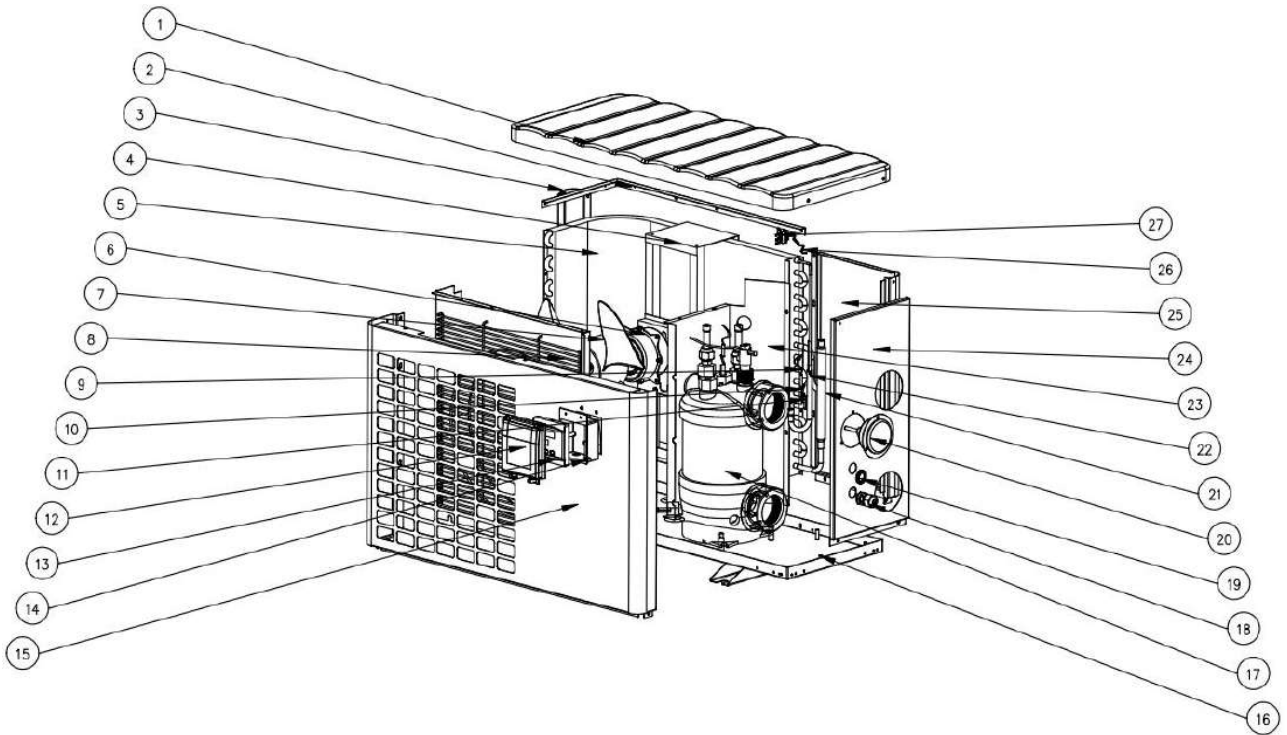
Proteção / Mau funcionamento	Display do controlador	Exibição de luz de mau funcionamento no PCB
Status de espera da bomba de calor	ON	
Bomba de calor funcionando	Water in temperature	
Proteção de baixa temperatura ambiente	PP0	
Falha no sensor de temperatura da água de entrada	PP1	
Falha no sensor de temperatura da água de saída	PP2	
Falha do sensor do condensador de aquecimento	PP3	
Falha do sensor de retorno de gás	PP4	
Falha do sensor de temperatura ambiente	PP5	
Diferença de temperatura muita proteção entre a entrada e saída de água	PP6	
Proteção anticongelante de primeiro grau no inverno	PP7	
Proteção anticongelante de segundo grau no inverno	PP7	
Proteção de alta pressão	EE1	
Proteção de baixa pressão	EE2	
Chave de fluxo fechada	ON/EE3	
Mau funcionamento da diferença de temperatura da água de entrada e saída	EE5	
Descongelando	Defrosting	

7.3 Andere fouten en oplossingen (Geen verschijning op LED draad controller)

Mau funcionamento	Observando	Razões	Solução
Bomba de calor não funciona	Controlador de fio LED	Sem fonte de alimentação	Verifique o cabo e o disjuntor, se estiver conectado
	nenhuma exibição.	Bomba de calor em espera	Inicie a bomba de calor para funcionar.
	Controlador de fio LED.	1. A temperatura da água atingiu o valor definido, HP sob status de temperatura constante. 2. A bomba de calor está apenas começando a funcionar. 3. Descongelamento.	1. Verifique a configuração da temperatura da água. 2. Inicie a bomba de calor após alguns minutos. 3. O controlador de fio LED deve mostrar "degelo".
Curto prazo	exibe a hora real.	1. O ventilador NÃO está funcionando. 2. Ventilador de ar não é suficiente. 3. Refrigerante insuficiente.	1. Verifique as conexões dos cabos entre o motor e o ventilador, se necessário, deve ser substituído. 2. Verifique a localização da unidade da bomba de calor e elimine todos os obstáculos para fazer uma boa ventilação do ar. 3 Substitua ou repare a unidade da bomba de calor.
Manchas de água	Controlador de fio LED	1. Concretagem. 2. Vazamento de água.	1. Nenhuma ação. 2. Verifique cuidadosamente o trocador de calor de titânio se houver algum defeito.
Muito gelo no evaporador	exibe o real		1. Verifique a localização da unidade da bomba de calor e elimine todos os obstáculos para fazer uma boa ventilação do ar. 2. Substitua ou repare a unidade da bomba de calor.

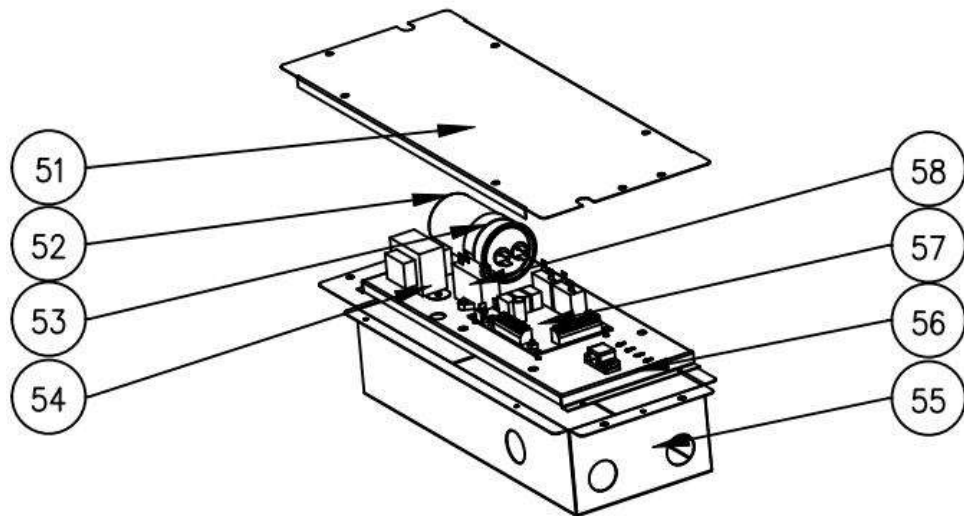
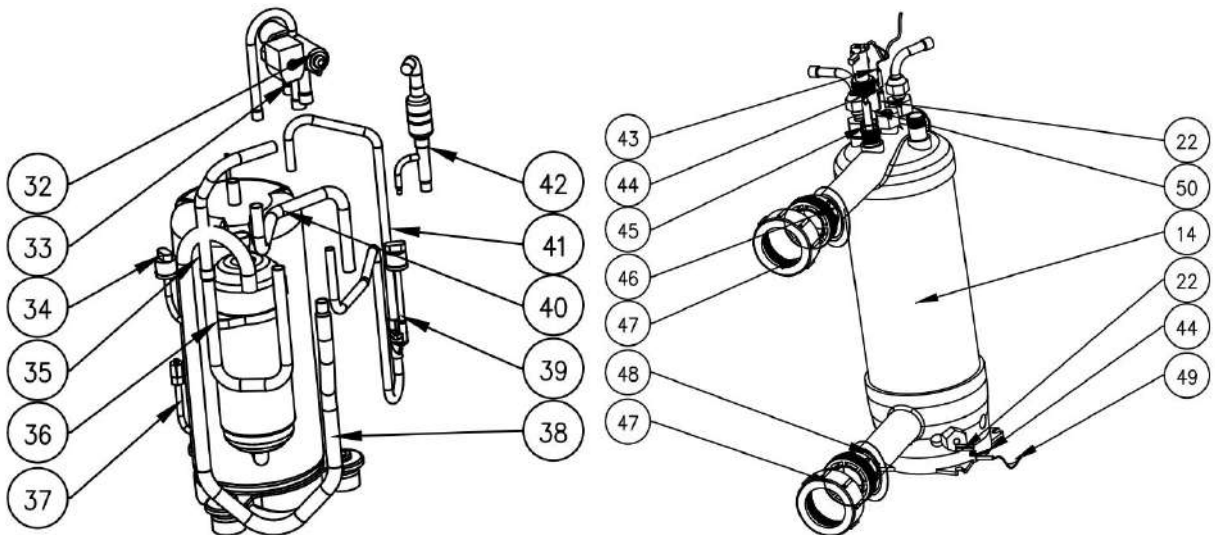
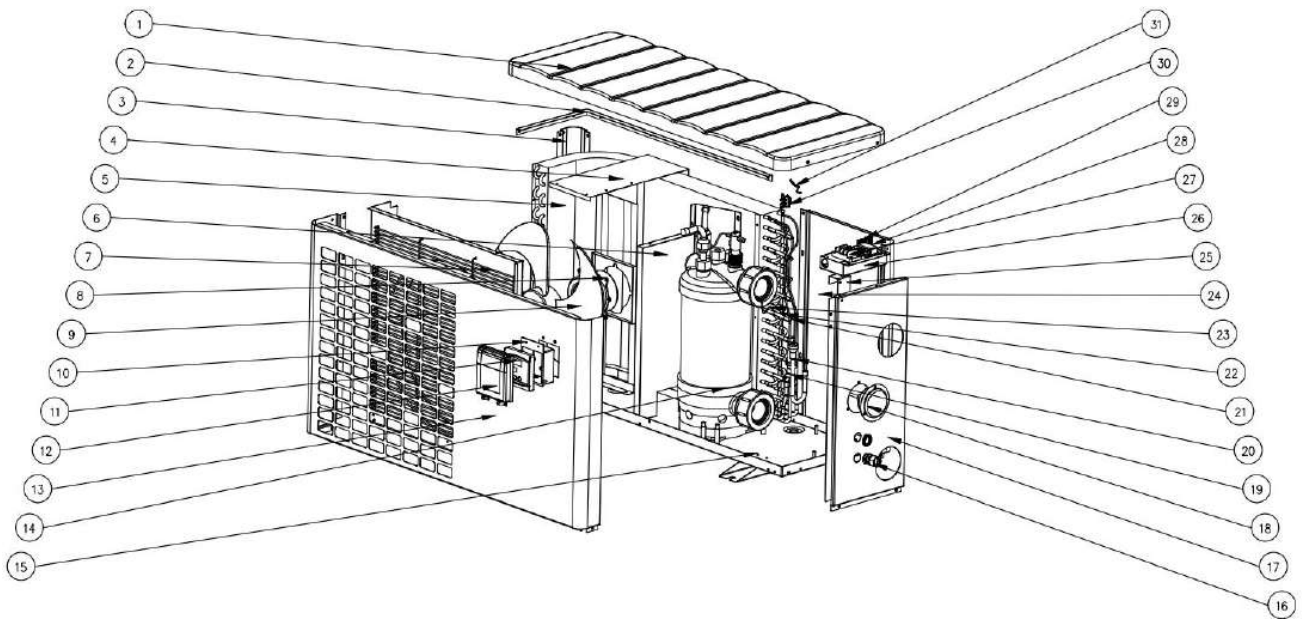
8. Diagrama Explodido

Modelo: FSN05



NO	ERP	Spare parts	NO	ERP	Spare parts
1	133420002	Tampa superior	30	113010408	Tubo de escape
2	108920005	Placa de suporte de rack elétrico	31	112100030	Interruptor de alta pressão
3	108920011	Pilar	32	113020562	Tubulação de retorno de gás
4	108920002	Suporte do motor do ventilador	33	101000241	Compressor
5	103000250	Evaporador	34	136020026	Borracha anti-vibração
6	112000033	Motor de ventilador	35	120000098	Válvula de sucção
7	132000001	Lâmina da ventoinha	36	112100046	Interruptor de baixa pressão
8	108920014	Conjunto do painel frontal	37	113030180	Válvula de 4 vias para trocador
9	112200136	Pipe temp. sensor T3	38	113060185	Tubo
10	113190007	Tubo de revestimento do sensor	39	113090085	Trocador para Capilar
11	113190001	grampo	40	112200138	Água fora temp. sensor T2
12	133030011	Caixa do controlador	41	108010025	Clipe do sensor de temperatura do permutador
13	117020087	controlador	42	133020026	Anel de borracha na conexão de água
14	113712007	Tampa do controlador	43	112200133	Água em temp. sensor T1
15	108920013	Painel frontal	44	102050005	Conjuntos de conexão de água
16	108920016	Bandeja base	45	102050005	Conexão de água
17	102041042	Trocador de calor de titânio	46	133020011	Anel de borracha azul
18	110000039	Conector do cabo	47	133020012	Anel de borracha vermelha
19	136020134	Anel de borracha	48	112100021	Interruptor de fluxo de água
20	106000011	Medidor de pressão	49	108020044	Tampa da caixa elétrica
21	103000250	Tubulação coletiva	50	112200064	Transformador
22	103000250	Tubulação de distribuição	51	108010008	Clipe do capacitor
23	108920009	Painel de isolamento	52	111300013	Capacitor de compressor
24	108920012	Painel lateral	53	111300002	Capacitor de ventilador
25	108920010	Painel traseiro	54	108920015	Caixa elétrica
26	112200141	Temperatura ambiente. sensor T5	55	11220183	PCB
27	133020010	Temperatura ambiente. clipe de sensor	56	115000060	Terminal de 2 assentos
28	121000035	Válvula de 4 vias	57	115000002	Terminal de 3 assentos
29	121000036	Bobina de válvula de quatro vias	58	136010004	Grampo

Modelo: FSN-08 / FSN-11



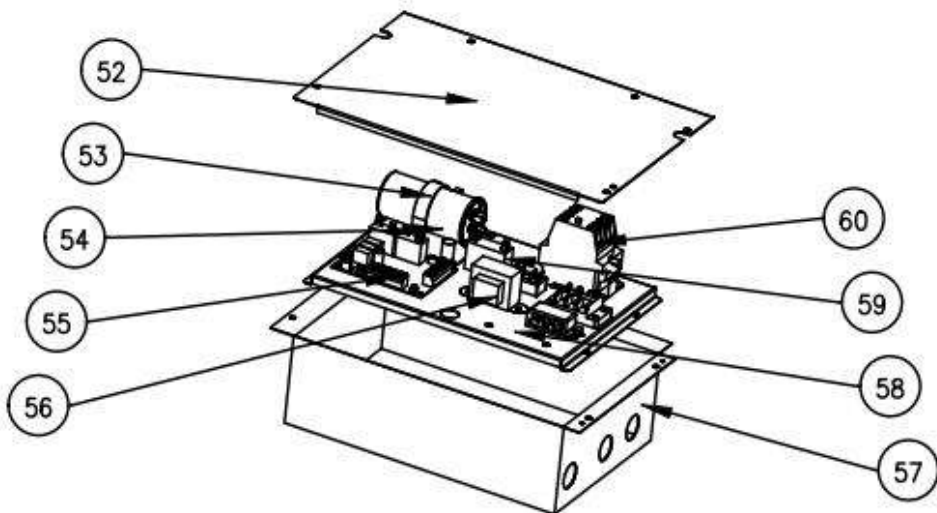
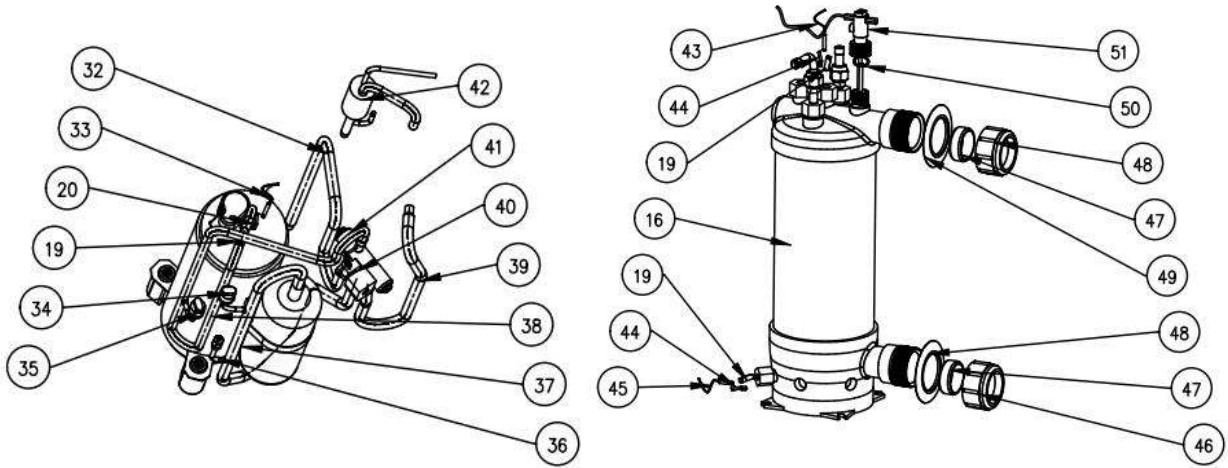
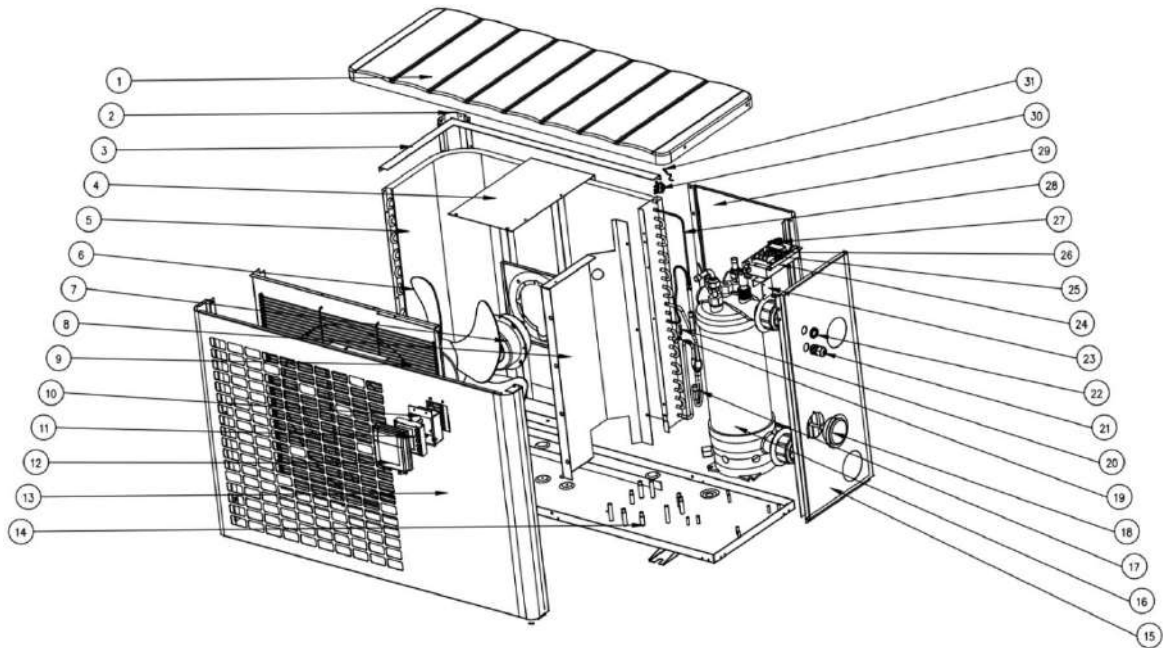
Spare parts list: FSN-08

NO	ERP	Spare parts	NO	ERP	Spare parts
1	133430003	Tampa superior	30	133020010	Temperatura ambiente. clipe de sensor
2	108900016	Placa de suporte de rack elétrico	31	112200141	Temperatura ambiente. sensor T5
3	108900021	Pilar	32	121000034	Válvula de 4 vias
4	108900011	Suporte do motor do ventilador	33	121000037	Bobina de válvula de quatro vias
5	103000311	Evaporador	34	112100046	Interruptor de baixa pressão
6	108900010	Painel de isolamento	35	113030168	Válvula de 4 vias para trocador
7	108900024	Conjunto do painel frontal	36	113030169	Válvula de 4 vias para trocador
8	112000069	Motor de ventilador	37	120000097	Válvula de sucção
9	113600007	Lâmina da ventoinha	38	113020528	Tubulação de retorno de gás
10	133030011	Caixa do controlador	39	112100030	Interruptor de alta pressão
11	117020087	controlador	40	113010379	Tubo de escape
12	113712007	Tampa do controlador	41	113060174	Tubo
13	108900022	Painel frontal	42	113090090	Trocador para Capilar
14	102041049	Trocador de calor de titânio	43	112200138	Água fora temp. sensor T2
15	108900001	Bandeja base	44	108010025	Clipe do sensor de temperatura do permutador
16	110000039	Conector do cabo	45	133020026	Anel de borracha na conexão de água
17	108900023	Painel lateral	46	133020012	Anel de borracha vermelha
18	106000011	Medidor de pressão	47	102050015	Conjuntos de conexão de água
19	103000311	Tubulação coletiva	48	133020011	Anel de borracha azul
20	103000311	Tubulação de distribuição	49	112200133	Água em temp. sensor T1
21	113190001	grampo	50	112100021	Interruptor de fluxo de água
22	113190007	Tubo de revestimento do sensor	51	108140063	Tampa da caixa elétrica
23	112200136	Pipe temp. sensor T3	52	111300018	Capacitor de compressor
24	108900020	Painel traseiro	53	108010007	Clipe do capacitor
25	108900017	Placa de suporte da caixa de fiação	54	112200064	Transformador
26	108030240	Caixa de fiação	55	108140061	Caixa elétrica
27	115000002	Terminal de 3 assentos	56	108140062	Placa de caixa elétrica
28	136010004	Grampo	57	111300002	Capacitor de ventilador
29	115000060	Terminal de 2 assentos	58	11220183	PCB

Spare parts list: FSN-11

NO	ERP	Spare parts	NO	ERP	Spare parts
1	133430003	Tampa superior	30	133020010	Temperatura ambiente. clipe de sensor
2	108900016	Placa de suporte de rack elétrico	31	112200141	Temperatura ambiente. sensor T5
3	108900021	Pilar	32	121000034	Válvula de 4 vias
4	108900011	Suporte do motor do ventilador	33	121000037	Bobina de válvula de quatro vias
5	103000310	Evaporador	34	112100046	Interruptor de baixa pressão
6	108900010	Painel de isolamento	35	113030168	Válvula de 4 vias para trocador
7	108900024	Conjunto do painel frontal	36	113030169	Válvula de 4 vias para trocador
8	112000069	Motor de ventilador	37	120000097	Válvula de sucção
9	113600007	Lâmina da ventoinha	38	113020525	Tubulação de retorno de gás
10	133030011	Caixa do controlador	39	112100030	Interruptor de alta pressão
11	117020087	controlador	40	113010377	Tubo de escape
12	113712007	Tampa do controlador	41	113060173	Tubo
13	108900022	Painel frontal	42	113090090	Trocador para Capilar
14	102041050	Trocador de calor de titânio	43	112200138	Água fora temp. sensor T2
15	108900001	Bandeja base	44	108010025	Clipe do sensor de temperatura do permutador
16	110000039	Conector do cabo	45	133020026	Anel de borracha na conexão de água
17	108900023	Painel lateral	46	133020012	Anel de borracha vermelha
18	106000011	Medidor de pressão	47	102050015	Conjuntos de conexão de água
19	103000310	Tubulação coletiva	48	133020011	Anel de borracha azul
20	103000310	Tubulação de distribuição	49	112200133	Água em temp. sensor T1
21	113190001	grampo	50	112100021	Interruptor de fluxo de água
22	113190007	Tubo de revestimento do sensor	51	108140063	Tampa da caixa elétrica
23	112200136	Pipe temp. sensor T3	52	111300018	Capacitor de compressor
24	108900020	Painel traseiro	53	108010007	Clipe do capacitor
25	108900017	Placa de suporte da caixa de fiação	54	112200064	Transformador
26	108030240	Caixa de fiação	55	108140061	Caixa elétrica
27	115000002	Terminal de 3 assentos	56	108140062	Placa de caixa elétrica
28	136010004	Grampo	57	111300002	Capacitor de ventilador
29	115000060	Terminal de 2 assentos	58	11220183	PCB

Modelo: FSN-14 / FSN-17



Spare parts list: FSN-14

NO	ERP	Spare parts	NO	ERP	Spare parts
1	133410002	Tampa superior	31	112200141	Temperatura ambiente. sensor T5
2	108050132	Pilar	32	113060099	Tubo
3	108050208	Placa de suporte de rack elétrico	33	112200136	Pipe temp. sensor T3
4	108050212	Suporte do motor do ventilador	34	112100030	Medidor de pressão
5	103000201	Evaporador	35	112100046	Interruptor de baixa pressão
6	113600010	Lâmina da ventoíinha	36	120000097	Válvula de sucção
7	112000070	Motor de ventilador	37	113020392	Tubulação de retorno de gás
8	108050211	Painel de isolamento	38	113010283	Tubo de escape
9	108050213	Conjunto do painel frontal	39	113030098	Válvula de 4 vias para trocador
10	133030011	Caixa do controlador	40	121000037	Bobina de válvula de quatro vias
11	117020087	controlador	41	121000028	Válvula de 4 vias
12	113712007	Tampa do controlador	42	113090066	Trocador para Capilar
13	108050214	Painel frontal	43	112200138	Água fora temp. sensor T2
14	108050209	Bandeja base	44	108010025	Clipe do sensor de temperatura do permutador
15	108050210	Painel lateral	45	112200133	Água em temp. sensor T1
16	102040994	Trocador de calor de titânio	46	102050005	Conjuntos de conexão de água
17	103000201	Tubulação coletiva	47	102050005	Conexão de água
18	106000011	Medidor de pressão	48	133020011	Anel de borracha azul
19	113190001	grampo	49	133020012	Anel de borracha vermelha
20	113190007	Tubo de revestimento do sensor	50	133020026	Anel de borracha na conexão de água
21	110000039	Conector do cabo	51	112100021	Interruptor de fluxo de água
22	136020119	Anel de borracha	52	108110011	Tampa da caixa elétrica
23	108050215	Placa de suporte da caixa de fiação	53	108010007	Clipe do capacitor
24	108030240	Caixa de fiação	54	111000020	Capacitor de compressor
25	115000002	Terminal de 3 assentos	55	11220182	PCB
26	136010004	Grampo	56	112200064	Transformador
27	115000060	Terminal de 2 assentos	57	108050192	Caixa elétrica
28	103000201	Tubulação de distribuição	58	108050193	Placa de caixa elétrica
29	108050195	Painel traseiro	59	111000006	Capacitor de ventilador
30	133020010	Temperatura ambiente. clipe de sensor	60	104000001	Contator CA

Spare parts list: FSN-17

NO	ERP	Spare parts	NO	ERP	Spare parts
1	133410002	Tampa superior	31	112200141	Temperatura ambiente. sensor T5
2	108050132	Pilar	32	113060099	Tubo
3	108050208	Placa de suporte de rack elétrico	33	112200136	Pipe temp. sensor T3
4	108050212	Suporte do motor do ventilador	34	112100030	Medidor de pressão
5	103000202	Evaporador	35	112100046	Interruptor de baixa pressão
6	113600010	Lâmina da ventoinha	36	120000097	Válvula de sucção
7	112000070	Motor de ventilador	37	113020591	Tubulação de retorno de gás
8	108050211	Painel de isolamento	38	113020632	Tubo de escape
9	108050213	Conjunto do painel frontal	39	113030098	Válvula de 4 vias para trocador
10	133030011	Caixa do controlador	40	121000037	Bobina de válvula de quatro vias
11	117020087	controlador	41	121000028	Válvula de 4 vias
12	113712007	Tampa do controlador	42	113090095	Trocador para Capilar
13	108050214	Painel frontal	43	112200138	Água fora temp. sensor T2
14	108050225	Bandeja base	44	108010025	Clipe do sensor de temperatura do permutador
15	108050210	Painel lateral	45	112200133	Água em temp. sensor T1
16	102041068	Trocador de calor de titânio	46	102050005	Conjuntos de conexão de água
17	103000202	Tubulação coletiva	47	102050005	Conexão de água
18	106000011	Medidor de pressão	48	133020011	Anel de borracha azul
19	113190001	grampo	49	133020012	Anel de borracha vermelha
20	113190007	Tubo de revestimento do sensor	50	133020026	Anel de borracha na conexão de água
21	110000039	Conector do cabo	51	112100021	Interruptor de fluxo de água
22	136020119	Anel de borracha	52	108110011	Tampa da caixa elétrica
23	108050215	Placa de suporte da caixa de fiação	53	108010007	Clipe do capacitor
24	108030240	Caixa de fiação	54	111000020	Capacitor de compressor
25	115000002	Terminal de 3 assentos	55	11220182	PCB
26	136010004	Grampo	56	112200064	Transformador
27	115000060	Terminal de 2 assentos	57	108050192	Caixa elétrica
28	103000202	Tubulação de distribuição	58	108050193	Placa de caixa elétrica
29	108050195	Painel traseiro	59	111000006	Capacitor de ventilador
30	133020010	Temperatura ambiente. clipe de sensor	60	104000001	Contator CA

9. Manutenção

Atenção !

-Antes de qualquer trabalho de manutenção no aparelho, deve-se cortar a alimentação elétrica, pois existe o risco de choque elétrico que pode causar danos materiais, ferimentos graves ou até a morte.

- Recomenda-se que o aparelho seja submetido a serviços gerais de manutenção pelo menos uma vez por ano para garantir o seu correto funcionamento, manter os níveis de desempenho e evitar possíveis falhas. Estas operações são realizadas por conta do usuário, por um técnico qualificado. Para que a manutenção seja realizado por um técnico qualificado.

-para a manutenção a ser realizada por um técnico qualificado, leia as instruções de segurança nas páginas anteriores fornecidas no capítulo intitulado "manutenção: avisos relativos a aparelhos que contêm refrigerante R32" antes de realizar qualquer uma das operações de manutenção descritas a seguir.

(1) Você deve verificar o sistema de abastecimento de água regularmente para evitar o ar que entra no sistema e ocorrência de baixo fluxo de água, porque iria reduzir o desempenho ea confiabilidade da unidade HP.

(2) Limpe regularmente as piscinas e o sistema de filtragem para evitar danos à unidade, devido ao sujo do filtro entupido.

(3) De outra forma, você deve verificar se a unidade está cheio de água antes que a unidade comece a funcionar novamente.

(4) Depois que a unidade é condicionada para a estação do inverno, é recomendado cobrir a bomba de calor com a bomba de calor especial do inverno.

(5) Quando a unidade está funcionando, há todo o tempo um pouco de descarga de água sob a unidade.

(6) Tabela de mapeamento de pressão e temperatura R32.

Condição	Desligar			
	- 5-5 °C	5-15 °C	15-25 °C	25-35°C
Temperatura ambiente	- 5-5 °C	5-15 °C	15-25 °C	25-35°C
Temperatura da água	/	/	/	/
Leitura do manómetro	0.68-0.93 MPa	0.93-1.25 MPa	1.25-1.64 MPa	1.64-2.1 MPa

Condição	Correr (Calefação)				
	/	/	/	/	/
Temperatura ambiente	/	/	/	/	/
Temperatura da água	10-15°C	15-20°C	20-25°C	25-30°C	30-35 °C
Leitura do manómetro	1.3-1.8 MPa	1.5-1.9 MPa	1.6-2.3 MPa	1.9-2.8 MPa	2.1-3.5 MPa

(7) Esvazie sempre a água na bomba de calor durante o inverno ou quando a temperatura ambiente cair abaixo de 0 °C, caso contrário, o trocador de titânio será danificado por estar congelado, nesse caso, sua garantia será perdida.

EN-GUARANTEE CERTIFICATE

1 GENERAL TERMS

- 1.1 In accordance with these provisions, the seller guarantees that the product corresponding to this guarantee ("the Product") is in perfect condition at the time of delivery.
- 1.2 The Guarantee Term for the Product is two (2) years from the time it is delivered to the purchaser.
- 1.3 In the event of any defect in the Product that is notified by the purchaser to the seller during the Guarantee Term, the seller will be obliged to repair or replace the Product, at his own cost and wherever he deems suitable, unless this is impossible or unreasonable.
- 1.4 If it is not possible to repair or replace the Product, the purchaser may ask for a proportional reduction in the price or, if the defect is sufficiently significant, the termination of the sales contract.
- 1.5 The replaced or repaired parts under this guarantee, will not extend the guarantee period of the original Product, but will have a separate guarantee.
- 1.6 In order for this guarantee to come into effect, the purchaser must provide proof of the date of purchase and delivery of the Product.
- 1.7 If, after six months from the delivery of the Product to the purchaser, he notifies a defect in the Product, the purchaser must provide proof of the origin and existence of the alleged defect.
- 1.8 This Guarantee Certificate is issued without prejudice to the rights corresponding to consumers under national regulations.

2 INDIVIDUAL TERMS

- 2.1 This guarantee covers the products referred to in this manual.
- 2.2 This Guarantee Certificate will only be applicable in European Union countries.
- 2.3 For this guarantee to be effective, the purchaser must strictly follow the Manufacturer's instructions included in the documentation provided with the Product, in cases where it is applicable according to the range and model of the Product.
- 2.4 When a time schedule is specified for the replacement, maintenance or cleaning of certain parts or components of the Product, the guarantee will only be valid if this time schedule has been followed.

3 LIMITATIONS

- 3.1 This guarantee will only be applicable to sales made to consumers, understanding by "consumer", a person who purchases the Product for purposes not related to his professional activities.
- 3.2 The normal wear resulting from using the product is not guaranteed. With respect to expendable or consumable parts, components and/or materials, such as batteries, light bulbs, etc. the stipulations in the documentation provided with the Product, will apply.
- 3.3 The guarantee does not cover those cases when the Product; (I) has been handled incorrectly; (II) has been repaired, serviced or handled by non- authorised people or (III) has been repaired or serviced not using original parts. In cases where the defect of the Product is a result of incorrect installation or start-up, this guarantee will only apply when said installation or start-up is included in the sales contract of the Product and has been conducted by the seller or under his responsibility.

ES - CERTIFICADO DE GARANTÍA

1 ASPECTOS GENERALES

- 1.1 De acuerdo con estas disposiciones, el vendedor garantiza que el producto correspondiente a esta garantía ("el Producto") no presenta ninguna falta de conformidad en el momento de su entrega.
- 1.2 El Período de Garantía para el Producto es de dos (2) años y se calculará desde el momento de su entrega al comprador.
- 1.3 Si se produjera una falta de conformidad del Producto y el comprador lo notificase al vendedor durante el Período de Garantía, el vendedor deberá reparar o sustituir el Producto a su propio coste en el lugar donde considere oportuno, salvo que ello sea imposible o desproporcionado.
- 1.4 Cuando no se pueda reparar o sustituir el Producto, el comprador podrá solicitar una reducción proporcional del precio o, si la falta de conformidad es suficientemente importante, la resolución del contrato de venta.
- 1.5 Las partes sustituidas o reparadas en virtud de esta garantía no ampliarán el plazo de la garantía del Producto original, si bien dispondrán de su propia garantía.
- 1.6 Para la efectividad de la presente garantía, el comprador deberá acreditar la fecha de adquisición y entrega del Producto.
- 1.7 Cuando hayan transcurrido más de seis meses desde la entrega del Producto al comprador y éste alegue falta de conformidad de aquél, el comprador deberá acreditar el origen y la existencia del defecto alegado.
- 1.8 El presente Certificado de Garantía no limita o prejuzga los derechos que correspondan a los consumidores en virtud de normas nacionales de carácter imperativo.

2 CONDICIONES PARTICULARES

- 2.1 La presente garantía cubre los productos a que hace referencia este manual.
- 2.2 El presente Certificado de Garantía será de aplicación únicamente en los países de la Unión Europea.

2.3 Para la eficacia de esta garantía, el comprador deberá seguir estrictamente las indicaciones del Fabricante incluidas en la documentación que acompaña al Producto, cuando ésta resulte aplicable según la gama y modelo del Producto.

2.4 Cuando se especifique un calendario para la sustitución, mantenimiento o limpieza de ciertas piezas o componentes del Producto, la garantía sólo será válida cuando se haya seguido dicho calendario correctamente.

3 LIMITACIONES

3.1 La presente garantía únicamente será de aplicación en aquellas ventas realizadas a consumidores, entendiéndose por “consumidor”, aquella persona que adquiere el Producto con fines que no entran en el ámbito de su actividad profesional.

3.2 No se otorga ninguna garantía respecto del normal desgaste por uso del producto. En relación con las piezas, componentes y/o materiales fungibles o consumibles como pilas, bombillas etc., se estará a lo dispuesto en la documentación que acompaña al Producto, en su caso.

3.3 La garantía no cubre aquellos casos en que el Producto: (I) haya sido objeto de un trato incorrecto; (II) haya sido reparado, mantenido o manipulado por persona no autorizada o (III) haya sido reparado o mantenido con piezas no originales.

Cuando la falta de conformidad del Producto sea consecuencia de una incorrecta instalación o puesta en marcha, la presente garantía sólo responderá cuando dicha instalación o puesta en marcha esté incluida en el contrato de compra-venta del Producto y haya sido realizada por el vendedor o bajo su responsabilidad.

FR - CERTIFICAT DE GARANTIE

1 ASPECTS GÉNÉRAUX

1.1 Conformément à ces dispositions, le vendeur garantit que le produit correspondant à cette garantie (“le Produit”) ne présente aucun défaut de conformité à la date de sa livraison.

1.2 La Période de Garantie pour le Produit est de deux (2) ans et elle sera calculée à partir du moment de sa remise à l’acheteur.

1.3 S’il se produisait un défaut de conformité du Produit et si l’acheteur le notifiait au vendeur pendant la Période de Garantie, le vendeur devrait réparer ou remplacer le Produit à ses propres frais à l’endroit qu’il jugerait opportun, à moins que cela soit impossible ou disproportionné.

1.4 Lorsque le Produit ne pourra être ni réparé ni remplacé, l’acheteur pourra demander une réduction proportionnelle du prix ou, si le défaut de conformité est suffisamment important, la résolution du contrat de vente.

1.5 Les parties remplacées ou réparées en vertu de cette garantie n’élargiront pas le délai de la garantie du Produit original, celles-ci étant cependant couvertes par leur propre garantie.

1.6 Pour l’effectivité de la présente garantie, l’acheteur devra justifier la date d’acquisition et de remise du Produit.

1.7 Quand plus de six mois se seront écoulés depuis la remise du Produit à l’acheteur et que ce dernier alléguera un défaut de conformité de ce Produit, l’acheteur devra justifier l’origine et l’existence du défaut allégué.

1.8 Le présent Certificat de Garantie ne limite pas, ni préjuge les droits correspondant aux consommateurs en vertu des normes nationales de nature impérative.

2 CONDITIONS PARTICULIÈRES

2.1 La présente garantie couvre les produits auxquels ce manuel fait référence.

2.2 Le présent Certificat de Garantie ne sera applicable que dans les pays de l’Union européenne.

2.3 En vue de l’efficacité de cette garantie, l’acheteur devra suivre strictement les indications du Fabricant comprises dans la documentation qui est jointe au Produit, quand celle-ci sera applicable selon la gamme et le modèle du Produit.

2.4 Quand un calendrier sera spécifié pour le remplacement, la maintenance ou le nettoyage de certaines pièces ou de certains composants du Produit, la garantie sera valable uniquement lorsque ledit calendrier aura été suivi correctement.

3 LIMITATIONS

3.1 La présente garantie ne sera applicable que dans les ventes réalisées aux consommateurs, considérant comme “consommateur”, toute personne qui achète le Produit à des fins qui n’entrent pas dans le cadre de son activité professionnelle.

3.2 Aucune garantie n’est concédée quant à l’usure normale due à l’utilisation du produit. En ce qui concerne les pièces, composants et/ou matériels fongibles ou consommables comme les piles, les ampoules, etc., il faudra respecter, le cas échéant, ce qui est stipulé dans la documentation qui est jointe au Produit.

3.3 La garantie ne couvre pas les cas où le Produit : (I) a fait l’objet d’un traitement incorrect ; (II) a été réparé, entretenu ou manipulé par une personne non autorisée ou (III) a été réparé ou entretenu avec des pièces n’étant pas d’origine. Quand le défaut de conformité du Produit sera la conséquence d’une installation ou d’une mise en marche incorrectes, la présente garantie répondra uniquement lorsque ladite installation ou ladite mise en marche sera incluse dans le contrat d’achat et de vente du Produit et aura été réalisée par le vendeur ou sous sa responsabilité.

DE - GARANTIEZERTIFIKAT

1 ALLGEMEINE GESICHTSPUNKTE

- 1.1 In Übereinstimmung mit diesen Verfügungen garantiert der Verkäufer, dass das Produkt dieser Garantie ("das Produkt") entspricht und dass es im Moment der Übergabe in allen Punkten mit den Anforderungen übereinstimmt.
- 1.2 Der Garantiezeitraum für das Produkt beträgt zwei (2) Jahre und wird ab dem Augenblick der Lieferung an den Käufer gerechnet.
- 1.3 Falls ein Mangel am Produkt auftritt und der Käufer den Verkäufer innerhalb des Garantiezeitraums darüber unterrichtet, muss der Verkäufer das Produkt auf eigene Kosten dort reparieren oder ersetzen, wo es für ihn am günstigsten ist, es sei denn, dies ist unmöglich oder unverhältnismäßig.
- 1.4 Wenn das Produkt weder repariert noch ersetzt werden kann, kann der Käufer einen angemessenen Preisnachlass beantragen, oder, falls es sich um einen größeren Mangel handelt, die Auflösung des Kaufvertrages.
- 1.5 Die Teile, die aufgrund dieser Garantie ersetzt oder repariert werden, verlängern den Garantiezeitraum für das Originalprodukt nicht. Jedoch existiert für diese Teile eine eigene Garantie.
- 1.6 Um die vorliegende Garantie wirksam werden zu lassen, muss der Käufer das Kaufdatum und das Lieferdatum des Produktes belegen.
- 1.7 Nach Ablauf von sechs Monaten ab Lieferung des Produktes an den Käufer muss, im Falle eines Mangels, der Käufer den Ursprung und das Vorhandensein des angegebenen Mangels belegen.
- 1.8 Das vorliegende Garantiezertifikat schränkt die Rechte, die der Verbraucher aufgrund der herrschenden, nationalen Gesetzgebung hat, nicht ein.

2 SONDERBEDINGUNGEN

- 2.1 Die vorliegende Garantie gilt für die Produkte, auf die sich dieses Handbuch bezieht.
- 2.2 Das vorliegende Garantiezertifikat ist nur in den Ländern der Europäischen Gemeinschaft anwendbar.
- 2.3 Diese Garantie gilt nur, wenn der Käufer alle Anweisungen des Herstellers, die in der produktbegleitenden Dokumentation enthalten und für die jeweilige Produktlinie und Modell anwendbar ist, streng einhält.
- 2.4 Wenn ein Zeitplan für den Austausch von Teilen, die Instandhaltung und Reinigung bestimmter Teile oder Produktkomponenten aufgestellt wurde, gilt die Garantie nur dann, wenn dieser Zeitplan korrekt eingehalten wurde.

3 EINSCHRÄNKUNGEN

- 3.1 Die vorliegende Garantie ist nur auf Verkäufe an Verbraucher anwendbar. "Verbraucher" sind alle Personen, die dieses Produkt zu privaten Zwecken erwerben.
- 3.2 Es wird keine Garantie für die normale Abnutzung durch den Gebrauch des Produktes gewährt. Informationen über Teile, Komponenten und/oder verschleißbare Materialien oder Verbrauchsgüter oder Batterien, Glühbirnen etc. finden Sie in der Dokumentation, die das jeweilige Produkt begleitet.
- 3.3 In folgenden Fällen gilt die Garantie nicht: (I) Das Produkt wurde nicht korrekt benutzt; (II) das Produkt wurde von nicht autorisierten Personen repariert, instandgehalten oder bedient oder (III) das Produkt wurde mit nicht originalen Ersatzteilen repariert oder instandgehalten. Wenn der Mangel auf eine falsche Installation oder Inbetriebnahme zurückzuführen ist, gilt die vorliegende Garantie nur, wenn diese Installation oder Inbetriebnahme in den Kaufvertrag des Produktes eingeschlossen war, und von dem Verkäufer oder auf dessen Verantwortung durchgeführt wurde.

IT - CERTIFICATO DI GARANZIA

1 ASPETTI GENERALI

- 1.1 Ai sensi delle seguenti disposizioni, il venditore garantisce che il prodotto corrispondente a questa garanzia ("il Prodotto") non presenta alcun difetto di conformità al momento della sua consegna.
- 1.2 Il Periodo di Garanzia per il Prodotto è di due (2) anni a decorrere dal momento della consegna dello stesso all'acquirente.
- 1.3 Nel caso in cui si venisse a produrre un difetto di conformità del Prodotto e l'acquirente lo notificasse al venditore entro il Periodo di Garanzia, il venditore dovrà riparare o sostituire il Prodotto a sue spese nel luogo che consideri opportuno, salvo che ciò risulti impossibile o sproporzionato.
- 1.4 Qualora non fosse possibile riparare o sostituire il Prodotto, l'acquirente potrà richiedere una riduzione proporzionale del prezzo o, nel caso in cui il difetto di conformità fosse sufficientemente importante, lo scioglimento del contratto di vendita.
- 1.5 Le parti sostituite o riparate in virtù della presente garanzia non rappresenteranno un prolungamento della scadenza della garanzia del Prodotto originale, quantunque disporranno di una loro propria garanzia.
- 1.6 Affinché la presente possa essere valida, l'acquirente dovrà attestare la data di acquisto e consegna di del Prodotto.
- 1.7 Una volta trascorsi più di sei mesi dalla consegna del Prodotto all'acquirente, qualora quest'ultimo dichiarerà un difetto di conformità del medesimo, l'acquirente dovrà attestare l'origine e l'esistenza del difetto dichiarato.

1.8 Il presente Certificato di Garanzia non limita o preclude i diritti che corrispondano ai consumatori in virtù delle norme nazionale di carattere imperativo.

2 CONDIZIONI PARTICOLARI

2.1 La presente garanzia copre i prodotti al quali si riferisce questo manuale.

2.2 Il presente Certificato di Garanzia avrà vigore unicamente nell'ambito dei paesi dell'Unione Europea.

2.3 Per la validità di questa garanzia, l'acquirente dovrà rispettare in maniera rigorosa le indicazioni del Fabbricante indicate nella documentazione che viene allegata al Prodotto, quando questa risulti applicabile secondo la gamma e il modello del Prodotto.

2.4 Nel caso in cui venga specificato un calendario per la sostituzione, la manutenzione o la pulizia di determinati pezzi o componenti del Prodotto, la garanzia sarà valida solo quando qualora detto calendario sia stato rispettato in maniera corretta.

3 LIMITAZIONI

3.1 La presente garanzia sarà valida unicamente per le vendite realizzate a consumatori, laddove per "consumatori" s'intende quella persona che acquista il Prodotto con scopi che non rientrano nell'ambito della sua attività professionale.

3.2 No viene concessa alcuna garanzia nei riguardi del normale consumo per uso del prodotto. In merito ai pezzi, ai componenti e/o ai materiali fusibili o consumabili come pile, lampadine, ecc., ove sussista si applicherà quanto disposto nella documentazione che è allegata al Prodotto.

3.3 La garanzia non copre i casi in cui il Prodotto: (I) sia stato oggetto di un uso non corretto; (II) sia stato riparato, manipolato o la manutenzione sia stata effettuata da una persona non autorizzata o (III) sia stato riparato o la manutenzione sia stata effettuata con pezzi non originali. Qualora il difetto di conformità del Prodotto sia conseguenza di una installazione o messa in marcia non corretta, la presente garanzia risponderà solo nel caso in cui la suddetta installazione o messa in marcia sia compresa nel contratto di compravendita del Prodotto e sia stata realizzata dal venditore o sotto la sua responsabilità.

NL - GARANTIECERTIFIKAAT

1 ALGEMENE ASPEKTEN

1.1 In overeenkomst met de voorliggende bepalingen wordt door de verkoper gegarandeerd dat het produkt verkocht onder deze garantie ("het Produkt") geen enkel defect vertoont op het moment van levering.

1.2 De Garantieperiode voor het Produkt bedraagt twee (2) jaar en is geldig vanaf het moment dat het Produkt aan de koper geleverd wordt.

1.3 Indien er zich een defect aan het Produkt zou voordoen en de koper dit zou mededelen aan de verkoper gedurende de geldige Garantieperiode, dan zal de verkoper het Produkt repareren of laten repareren op zijn eigen kosten alwaar de verkoper dit geschikt zou achten, behalve in het geval dat dit onmogelijk of buitensporig zou zijn.

1.4 Indien het Produkt niet gerepareerd of vervangen kan worden, dan kan de koper na verhouding prijsreductie aanvragen, of, indien het defect belangrijk genoeg is, de ontbinding van het verkoopcontract aanvragen.

1.5 Die delen van het Produkt die onder deze Garantie vervangen of gerepareerd zijn, kunnen de duur van de Garantieperiode voor het oorspronkelijke Produkt niet verlengen, maar zullen beschikken over een eigen garantie.

1.6 Voor de toepassing van deze garantie moet de koper de aankoopdatum en de levering van het Produkt kunnen aantonen.

1.7 Indien er meer dan zes maanden verlopen zijn sinds de levering van het Produkt aan de koper, en deze plotseling aangeeft dat het Produkt niet aan de eisen voldoet, dan zal de koper de oorsprong en het bestaan van de volgens hem bestaande defecten moeten kunnen aantonen.

1.8 Dit Garantiecertificaat beperkt of veroorzaakt niet bij voorbaat de rechten die de gebruikers hebben en die gebaseerd zijn op nationale normen.

2 BIJZONDERE VOORWAARDEN

2.1 Deze garantie dekt de produkten waarnaar deze handleiding verwijst.

2.2 Het huidige Garantiecertificaat is slechts van toepassing in landen van de Europese Unie.

2.3 Voor de toepassing van deze garantie en in geval deze garantie van toepassing is al naar gelang de serie en het model van het Produkt, moet de koper de aanwijzingen van de Fabrikant in de documenten die bij het Produkt bijgesloten zijn, strikt opvolgen.

2.4 Indien er een tijdsperiode vastgesteld wordt voor de vervanging, het onderhoud of het reinigen van verschillende delen of onderdelen van het Produkt, dan is de garantie alleen geldig in geval deze tijdsperiode strikt aangehouden is.

3 BEPERKINGEN

3.1 De huidige garantie is uitsluitend geldig bij verkoop aan gebruikers, waarbij onder "gebruiker" verstaan wordt een persoon die het Produkt aanschaft met een doel dat niet binnen het gebied van zijn professionele activiteiten valt.

3.2 Er bestaat geen garantie in verband met normale slijtage bij gebruik van het Produkt. Wat betreft de

delen, componenten en/of vervangbare of verbruiksmaterialen zoals batterijen, gloeilampen, enz. zal men zich moeten richten naar hetgeen in de documenten staat die het Produkt vergezellen.

3.3 De garantie dekt niet de gevallen waarbij het Produkt (i) onderhevig is geweest aan ongepast gebruik, (ii) gerepareerd, onderhouden of gemanipuleerd is door een persoon die daarvoor geen toestemming heeft, of (iii) gerepareerd of onderhouden is met niet oorspronkelijke onderdelen. Indien het defekt van het Produkt het gevolg is van een incorrecte installering of ingebruikneming, dan is deze garantie slechts van toepassing indien de installering of ingebruikneming in kwestie in het contract van koop en verkoop van het produkt opgenomen is en door de verkoper of onder diens verantwoording uitgevoerd is.

PT - CERTIFICADO DE GARANTIA

1 CONDIÇÕES GERAIS

1.1 De acordo com estas disposições, o vendedor garante que, no momento da entrega, o produto correspondente a esta garantia ("o Produto") não apresenta nenhum tipo de falta de conformidade.

1.2 O Período de Garantia para o Produto é de dois (2) anos, contados a partir da data de entrega ao comprador.

1.3 Se, durante o período de garantia, o comprador notificar ao vendedor alguma falta de conformidade do Produto, o vendedor deverá reparar ou substituir o Produto por sua conta no lugar onde considerar conveniente, salvo que isso seja impossível ou desmesurado.

1.4 Quando não for possível reparar ou substituir o Produto, o comprador poderá solicitar uma redução proporcional do preço ou, se a falta de conformidade for o suficientemente grave, a rescisão do contrato de venda.

1.5 As partes substituídas ou reparadas em virtude desta garantia não ampliarão o período de garantia do Produto original, mas disporão da sua própria garantia.

1.6 Para que a presente garantia tenha efeito, o comprador deverá apresentar o comprovante da data de compra e de entrega do Produto.

1.7 Se o comprador alegar uma falta de conformidade do Produto, passados mais de seis meses da data de entrega do mesmo, deverá demonstrar a origem e a existência do defeito alegado.

1.8 O presente Certificado de Garantia não limita nem afecta os direitos dos consumidores derivados das normas nacionais de carácter imperativo.

2 CONDIÇÕES PARTICULARES

2.1 A presente garantia cobre os produtos descritos neste manual.

2.2 O presente Certificado de Garantia só será válido nos países da União Europeia.

2.3 Para a eficácia desta garantia, o comprador deverá seguir rigorosamente as indicações do Fabricante contidas na documentação fornecida com o Produto, quando a mesma for aplicável em função da gama e do modelo do Produto.

2.4 No caso de se estabelecer um calendário para a substituição, manutenção ou limpeza de determinadas peças ou componentes do Produto, a garantia só será válida se o citado calendário tiver sido cumprido rigorosamente.

3 LIMITAÇÕES

3.1 A presente garantia só será válida para as vendas realizadas a consumidores, entendendo-se por "consumidor" a pessoa que comprar o Produto com fins não abrangidos no âmbito da sua actividade profissional.

3.2 A garantia não cobre o desgaste normal derivado do uso do produto. Em relação às peças, componentes e/ou materiais fungíveis ou consumíveis como pilhas, lâmpadas, etc., terá efeito o disposto na documentação fornecida com o Produto, em cada caso.

3.3 Esta garantia não abrange as seguintes situações: (I) Se o Produto tiver sido objecto de um uso incorrecto; (II) tiver sido reparado, sofrido manutenção ou manipulado por pessoas não autorizadas ou (III) tiver sido reparado ou as suas peças substituídas por peças não originais. Quando a falta de conformidade do Produto for consequência de uma instalação ou colocação em funcionamento incorrecta, a presente garantia só será válida se a referida instalação ou colocação em funcionamento estiver incluída no contrato de compra-venda do Produto e tiver sido realizada pelo vendedor ou sob sua responsabilidade.

