



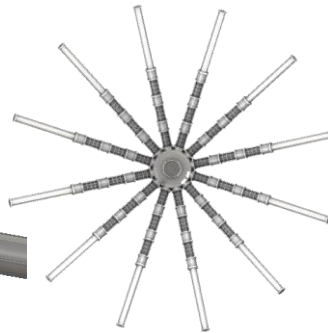
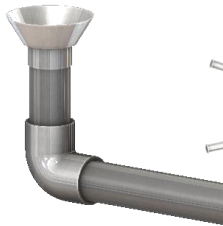
- Filter manufactured from polyester resin and fiber glass.
- Fitted with collector arms and diffuser made of PVC and polypropylene.
- Filtration bed depth: 1m.
- Colour: RAL 3020
- Ø400 black plastic top lid
- 2" ½ sand drain
- 1/4" water drain
- 1/4" manual air drain
- Maximum pressure: 2.5 bar
- Maximum temperature: 50°C

- Filtro fabricado en fibra de vidrio y poliéster.
- Montado con colectores y difusor de material plástico inalterable PVC y polipropileno
- Altura lecho filtrante: 1m
- Color: RAL 3020
- Tapa superior de plástico Ø400mm
- Purga de arena de 2"1/2
- Purga de agua de 1/4"
- Purga manual de aire 1/4"
- Presión máxima: 2.5 bar
- Temperatura máxima: 50°C

## FILTER DETAILS



▪ 2" 1/2 PVC sand/water drain



▪ Fitted with collector arms and diffuser made of PVC and polypropylene



▪ Ø400 plastic top lid



▪ 1/4" manual air drain

## FILTER OPTIONS



▪ 1" or 2" air relief valve



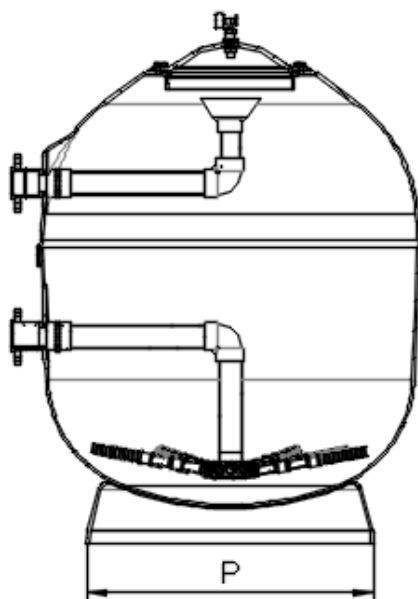
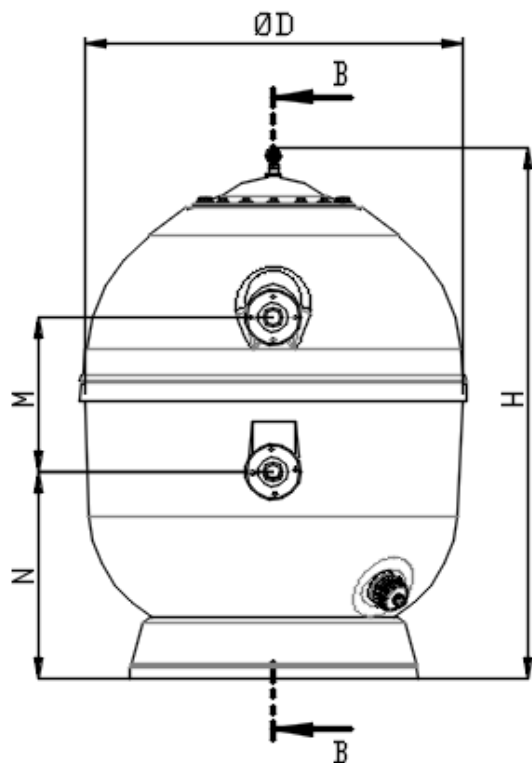
▪ Ø225 polyester lateral manhole



Vinylester

▪ Internal vinylester finish

TECHNICAL DATA															
Code	Model (mm)	Connections (mm/inch)		Filtering velocity (m <sup>3</sup> /h/m <sup>2</sup> )	Filtration Area (m <sup>2</sup> )	Flow (m <sup>3</sup> /h)	Maximum pressure (bar)	Sand (0.4-0.8mm) (kg)	Gravel (1-2mm)(kg)	Weight in service (kg)	Volume (l)	H (mm)	M (mm)	N (mm)	P (mm)
		mm	inch												
41304	1050	63	2"	20	0.86	17	2.5	1050	185	1630	870	1545	500	465	760
41305		75	2 ½"	30/40		25/34									
41306		90	3"	50		43									
41307	1200	75	2 ½"	20/30	1.13	22/33	2.5	1350	275	2220	1290	1730	500	675	850
41308		90	3"	40/50		45/56									
41309	1400	75	2 ½"	20	1.54	30	2.5	1850	350	3060	1810	1845	500	725	1085
41310		90	3"	30		46									
41311		110	4"	40/50		61/77									
41312	1600	90	3"	20	2.01	40	2.5	2400	450	3930	2285	1850	500	710	1230
41313		110	4"	30/40		60/80									
41314		125	4 ½"	50		100									
41315	1800	90	3"	20	2.54	50	2.5	3000	695	5065	2950	1915	500	755	1370
41316		110	4"	30		76									
41317		125	4 ½"	40		101									
41318		140	5"	50		125									
41319	2000	110	4"	20	3.14	62	2.5	3650	810	6360	3850	2030	570	775	1560
41320		125	4 ½"	30		94									
41321		140	5"	40		125									
41322		160	6"	50		157									



SECCIÓN B-B